

FEC Framework
Internet-Draft
Intended status: Informational
Expires: January 8, 2009

A. Begen
Cisco Systems
T. Stockhammer
Digital Fountain
July 7, 2008

DVB Application-Layer Hybrid FEC Protection
draft-begen-fecframe-dvb-al-fec-00

Status of this Memo

By submitting this Internet-Draft, each author represents that any applicable patent or other IPR claims of which he or she is aware have been or will be disclosed, and any of which he or she becomes aware will be disclosed, in accordance with [Section 6 of BCP 79](#).

Internet-Drafts are working documents of the Internet Engineering Task Force (IETF), its areas, and its working groups. Note that other groups may also distribute working documents as Internet-Drafts.

Internet-Drafts are draft documents valid for a maximum of six months and may be updated, replaced, or obsoleted by other documents at any time. It is inappropriate to use Internet-Drafts as reference material or to cite them other than as "work in progress."

The list of current Internet-Drafts can be accessed at <http://www.ietf.org/ietf/lid-abstracts.txt>.

The list of Internet-Draft Shadow Directories can be accessed at <http://www.ietf.org/shadow.html>.

This Internet-Draft will expire on January 8, 2009.

Copyright Notice

Copyright (C) The IETF Trust (2008).

Abstract

This document describes the Application-layer Forward Error Correction (FEC) protocol that was developed by the Digital Video Broadcasting (DVB) consortium for the protection of media streams over IP networks. The DVB AL-FEC protocol uses two layers for FEC protection. The first (base) layer is based on the 1-D interleaved parity code. The second (enhancement) layer is based on the Raptor code. Since both of these codes have already been specified in

Internet-Draft

DVB AL-FEC Scheme

July 2008

separate documents, the current document does not define the details of these codes but provides the references to the respective specifications. By offering a layered approach, the DVB AL-FEC offers a good protection against both bursty and random packet losses at a cost of decent complexity.

Table of Contents

1.	Introduction	3
2.	Requirements Notation	5
3.	DVB AL-FEC Specification	5
3.1.	Base-Layer FEC	5
3.2.	Enhancement-Layer FEC	6
3.3.	Hybrid Decoding Procedures	6
4.	Session Description Protocol (SDP) Signaling	6
5.	Security Considerations	7
6.	IANA Considerations	7
7.	Acknowledgments	8
8.	References	8
8.1.	Normative References	8
8.2.	Informative References	8
	Authors' Addresses	9
	Intellectual Property and Copyright Statements	10

1. Introduction

In 2007, the Digital Video Broadcasting (DVB) consortium published a technical specification [[DVB-AL-FEC](#)] through European Telecommunications Standards Institute (ETSI). This specification covers several areas related to the transmission of MPEG2 transport stream-based services over IP networks.

The Annex E of [[DVB-AL-FEC](#)] defines an optional protocol for Application-layer FEC (AL-FEC) protection of streaming media for DVB-IP services carried over RTP [[RFC3550](#)] transport. The AL-FEC protocol uses two layers for protection: a base layer that is produced by the 1-D interleaved parity code, and an enhancement layer that is produced by the Raptor code. Whenever a receiver supports AL-FEC protocol, the decoding support for the base-layer FEC is mandatory while the decoding support for the enhancement-layer FEC is optional. Both the interleaved parity code and the Raptor code are systematic FEC codes, meaning that source packets are always sent as part of the transport.

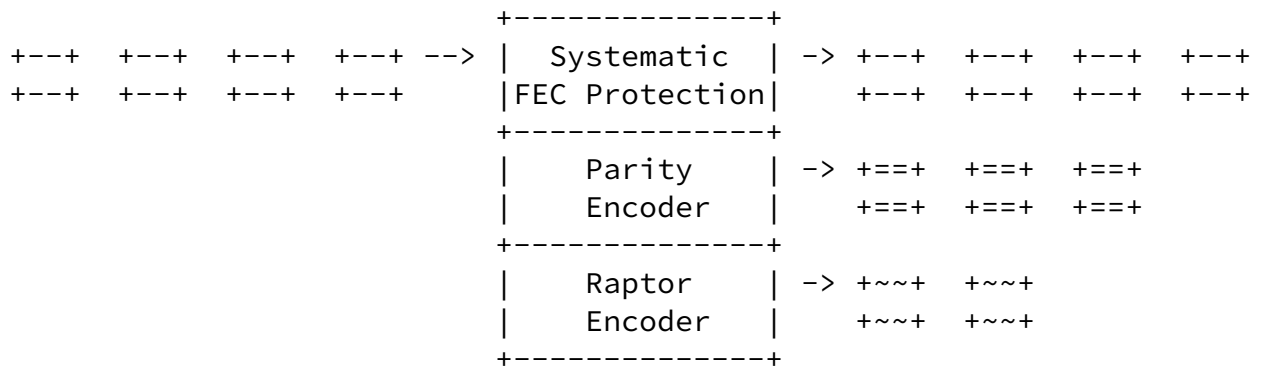
This document briefly explains the DVB AL-FEC protocol by providing references to the two FEC schemes used as part of the AL-FEC protocol. This document considers protection of single sequence RTP flows only.

The DVB AL-FEC protocol can protect any type of source media such as audio, video, text or application. The FEC data at each layer is generated by an instance of the FEC Framework [[I-D.ietf-fecframe-framework](#)], which is configured by the FEC Framework Configuration Information. The configuration information and the information contained in the Payload IDs of the source and repair packets establish the exact associations and relationships between the source and repair packets. This document shows how the FEC Framework Configuration Information may be communicated out-of-band in Session Description Protocol (SDP) [[RFC4566](#)].

The FEC Framework requires the source packets to be transmitted in a source flow and the repair packets to be transmitted in one or more repair flows. In other words, the sender MUST NOT mix source and repair packets in a single flow. At the receiver side, if all of the source packets are successfully received, there is no need for FEC recovery and the repair packets may be discarded. However, if there are missing source packets, the repair packets can be used to recover the missing information.

The block diagram of the encoder side for the systematic DVB AL-FEC protection is sketched in Figure 1. Here, the source packets are fed into the parity encoder to produce the parity repair packets. The

source packets may also be fed to the Raptor encoder to produce the Raptor repair packets. Source packets as well as the repair packets are then sent to the receiver(s) over an IP network.



Source Packet: +---+
 +---+

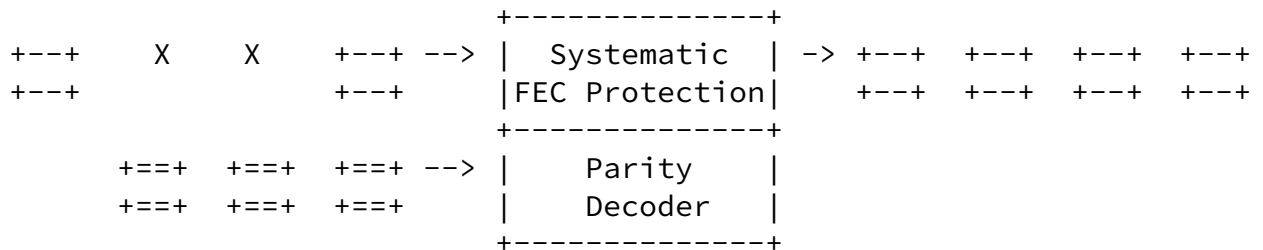
Base-layer Repair Packet: +===+
 +===+

Enhancement-layer Repair Packet: +~~~+
 +~~~+

Figure 1: Block diagram for the DVB AL-FEC encoder

The block diagram of the decoder side for the systematic DVB AL-FEC protection is sketched in Figure 2. This is a Minimum Performance

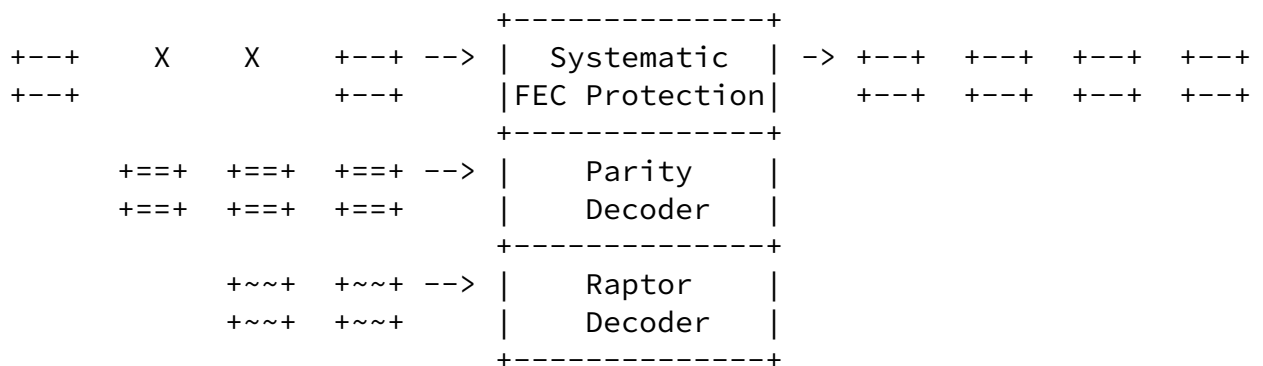
Decoder since the receiver only supports decoding the base-layer repair packets. If there is a loss among the source packets, the parity decoder attempts to recover the missing source packets by using the base-layer repair packets.



Lost Packet: X

Figure 2: Block diagram for the DVB AL-FEC minimum performance decoder

On the other hand, if the receiver supports decoding both the base-layer and enhancement-layer repair packets, a combined (hybrid) decoding approach is adopted to improve the recovery rate of the lost packets. In this case, the decoder is called an Enhanced Decoder. [Section 3.3](#) outlines the procedures for hybrid decoding.



Lost Packet: X

Figure 3: Block diagram for the DVB AL-FEC enhanced decoder

[2.](#) Requirements Notation

The key words "MUST", "MUST NOT", "REQUIRED", "SHALL", "SHALL NOT", "SHOULD", "SHOULD NOT", "RECOMMENDED", "MAY", and "OPTIONAL" in this document are to be interpreted as described in [[RFC2119](#)].

[3.](#) DVB AL-FEC Specification

The DVB AL-FEC protocol comprises two layers of FEC protection: 1-D interleaved parity FEC for the base layer and Raptor FEC for the enhancement layer.

[3.1.](#) Base-Layer FEC

The 1-D interleaved parity FEC uses the exclusive OR (XOR) operation to generate the repair symbols. In a group of $D \times L$ source packets, the XOR operation is applied to the group of the source packets whose sequence numbers are L apart from each other to generate L repair packets. When used in combination with the enhancement layer, the $D \times L$ block of the source packets protected by one or more FEC packets SHALL be wholly contained within a single source block of the Raptor code. Further details of the 1-D interleaved parity code are provided in [[I-D.begen-fecframe-interleaved-fec-scheme](#)].

[3.2.](#) Enhancement-Layer FEC

The Raptor code is a fountain code where as many encoding symbols as needed can be generated by the encoder on-the-fly from a source data. Due to the fountain property of the Raptor code, multiple enhancement layers may also be specified.

The details of the Raptor code are provided in [[I-D.watson-fecframe-raptor](#)]. The performances of both the 1-D interleaved parity code and Raptor code have been examined in detail in [[DVB-A115](#)].

[3.3.](#) Hybrid Decoding Procedures

The receivers that support receiving and decoding both the base and

enhancement-layer FEC perform hybrid decoding to improve the repair performance. The following step may be followed to perform hybrid decoding:

1. Base-layer (Parity) Decoding: In this step, the repair packets that are encoded by the parity encoder are processed as usual to repair as many missing source packets as possible.
2. Enhancement-layer (Raptor) Decoding: If there are still missing source packets after the first step, the repair packets that are Raptor encoded are processed with the source packets already received and the source packets that are recovered in the first step.
3. Hybrid Decoding: If there are still missing source packets after the second step, the unprocessed base-layer (parity) repair packets are converted to a form in which they can be added to the Raptor decoding process. With this additional information, Raptor decoding may potentially recover any remaining missing source packet.

The procedure that should be followed to benefit from the base-layer repair packets in the Raptor decoding process is explained in detail in Section E5.2 of [\[DVB-AL-FEC\]](#).

4. Session Description Protocol (SDP) Signaling

This section provides an SDP [\[RFC4566\]](#) example. This example uses the SDP elements for FEC Framework, which were introduced in [\[I-D.ietf-fecframe-sdp-elements\]](#), and the FEC grouping semantics [\[RFC4756\]](#).

Editor's note: No FEC Encoding IDs have been registered with IANA for the 1-D interleaved parity FEC scheme and Raptor FEC scheme. For illustrative purposes, in the example below, FEC Encoding IDs of 10 and 11 will respectively be used.

In this example, we have one source video stream (mid:S1), one FEC repair stream (mid:R1) that is produced by the 1-D interleaved parity FEC scheme as well as another FEC repair stream (mid:R2) that is

produced by the Raptor FEC scheme. We form one FEC group with the "a=group:FEC S1 R1 R2" line. The source and repair streams are sent to the same port on different multicast groups. The repair window is set to 200 ms.

```
v=0
o=ali 1122334455 1122334466 IN IP4 fec.rocks.com
s=DVB AL-FEC Example
t=0 0
a=group:FEC S1 R1 R2
m=video 30000 RTP/AVP 100
c=IN IP4 224.1.1.1/127
a=rtpmap:100 MP2T/90000
a=fec-source-flow: id=0
a=mid:S1
m=application 30000 RTP/AVP 110
c=IN IP4 224.1.2.1/127
a=rtpmap:110 1d-interleaved-parityfec/90000
a=fec-repair-flow: encoding-id=10; ss-fssi=L:5 D:10
a=repair-window: 200
a=mid:R1
m=application 30000 RTP/AVP 111
c=IN IP4 224.1.3.1/127
a=rtpmap:111 raptor-fec/90000
a=fec-repair-flow: encoding-id=11; ss-fssi=qwe123
a=repair-window: 200
a=mid:R2
```

[5.](#) Security Considerations

There are no security considerations in this document. For the general security considerations related to the use of FEC, refer to [\[I-D.ietf-fecframe-framework\]](#).

[6.](#) IANA Considerations

There are no IANA considerations in this document.

[7.](#) Acknowledgments

This document is largely based on [[DVB-AL-FEC](#)]. Thus, the authors would like to thank the editors of [[DVB-AL-FEC](#)].

[8.](#) References

[8.1.](#) Normative References

[I-D.ietf-fecframe-framework]

Watson, M., "Forward Error Correction (FEC) Framework", [draft-ietf-fecframe-framework-01](#) (work in progress), November 2007.

[I-D.ietf-fecframe-sdp-elements]

Begen, A., "SDP Elements for FEC Framework", [draft-ietf-fecframe-sdp-elements-00](#) (work in progress), February 2008.

[I-D.begen-fecframe-interleaved-fec-scheme]

Begen, A., "1-D Interleaved Parity FEC Scheme for FEC Framework", [draft-begen-fecframe-interleaved-fec-scheme-00](#) (work in progress), July 2008.

[I-D.watson-fecframe-raptor]

Watson, M., "Raptor FEC Schemes for FECFRAME", [draft-watson-fecframe-raptor-00](#) (work in progress), July 2008.

[RFC2119] Bradner, S., "Key words for use in RFCs to Indicate Requirement Levels", [BCP 14](#), [RFC 2119](#), March 1997.

[RFC3550] Schulzrinne, H., Casner, S., Frederick, R., and V. Jacobson, "RTP: A Transport Protocol for Real-Time Applications", STD 64, [RFC 3550](#), July 2003.

[RFC4566] Handley, M., Jacobson, V., and C. Perkins, "SDP: Session Description Protocol", [RFC 4566](#), July 2006.

[RFC4756] Li, A., "Forward Error Correction Grouping Semantics in Session Description Protocol", [RFC 4756](#), November 2006.

[8.2.](#) Informative References

[DVB-AL-FEC]

DVB Document A086 Rev. 4 (ETSI TS 102 034 V1.3.1),
"Transport of MPEG 2 Transport Stream (TS) Based DVB

Services over IP Based Networks", March 2007.

[DVB-A115]

Available at: http://www.dvb.org/technology/standards/a115.tm3783.AL-FEC_Evaluation.pdf, "DVB Application Layer FEC Evaluations (DVB Document A115)", May 2007.

Authors' Addresses

Ali Begen
Cisco Systems
170 West Tasman Drive
San Jose, CA 95134
USA

Email: abegen@cisco.com

Thomas Stockhammer
Digital Fountain
39141 Civic Center Drive
Suite 300
Fremont, CA 94538
USA

Email: stockhammer@digitalfountain.com

Internet-Draft

DVB AL-FEC Scheme

July 2008

Full Copyright Statement

Copyright (C) The IETF Trust (2008).

This document is subject to the rights, licenses and restrictions contained in [BCP 78](#), and except as set forth therein, the authors retain all their rights.

This document and the information contained herein are provided on an "AS IS" basis and THE CONTRIBUTOR, THE ORGANIZATION HE/SHE REPRESENTS OR IS SPONSORED BY (IF ANY), THE INTERNET SOCIETY, THE IETF TRUST AND THE INTERNET ENGINEERING TASK FORCE DISCLAIM ALL WARRANTIES, EXPRESS OR IMPLIED, INCLUDING BUT NOT LIMITED TO ANY WARRANTY THAT THE USE OF THE INFORMATION HEREIN WILL NOT INFRINGE ANY RIGHTS OR ANY IMPLIED WARRANTIES OF MERCHANTABILITY OR FITNESS FOR A PARTICULAR PURPOSE.

Intellectual Property

The IETF takes no position regarding the validity or scope of any Intellectual Property Rights or other rights that might be claimed to pertain to the implementation or use of the technology described in this document or the extent to which any license under such rights might or might not be available; nor does it represent that it has made any independent effort to identify any such rights. Information on the procedures with respect to rights in RFC documents can be found in [BCP 78](#) and [BCP 79](#).

Copies of IPR disclosures made to the IETF Secretariat and any assurances of licenses to be made available, or the result of an attempt made to obtain a general license or permission for the use of such proprietary rights by implementers or users of this specification can be obtained from the IETF on-line IPR repository at <http://www.ietf.org/ipr>.

The IETF invites any interested party to bring to its attention any copyrights, patents or patent applications, or other proprietary rights that may cover technology that may be required to implement this standard. Please address the information to the IETF at

ietf-ipr@ietf.org.

Acknowledgment

Funding for the RFC Editor function is provided by the IETF Administrative Support Activity (IASA).

Begen & Stockhammer

Expires January 8, 2009

[Page 10]