

Internet Engineering Task Force  
Internet-Draft  
Intended status: Standards Track  
Expires: September 18, 2016

G.Galimberti, Ed.  
Cisco  
R.Kunze, Ed.  
Deutsche Telekom  
Kam Lam, Ed.  
Alcatel-Lucent  
D. Hiremagalur, Ed.  
Juniper  
L.Fang, Ed.  
G.Ratterree, Ed.  
Microsoft  
March 17, 2016

An SNMP MIB extension to [RFC3591](#) to manage optical interface parameters of "G.698.2 single channel" in DWDM applications  
[draft-galikonze-ccamp-dwdm-if-snmp-mib-01](#)

## Abstract

This memo defines a module of the Management Information Base (MIB) used by Simple Network Management Protocol (SNMP) in TCP/IP- based internet. In particular, it defines objects for managing single channel optical interface parameters of DWDM applications, using the approach specified in G.698.2 [[ITU.G698.2](#)]. This interface, described in ITU-T G.872, G.709 and G.798, is one type of OTN multi-vendor Intra-Domain Interface (IaDI). This RFC is an extension of [RFC3591](#) to support the optical parameters specified in ITU-T G.698.2 and application identifiers specified in ITU-T G.874.1 [[ITU.G874.1](#)]. Note that G.874.1 encompasses vendor-specific codes, which if used would make the interface a single vendor IaDI and could still be managed.

The MIB module defined in this memo can be used for Optical Parameters monitoring and/or configuration of the endpoints of the multi-vendor IaDI based on the Black Link approach.

## Copyright Notice

Copyright (c) 2015 IETF Trust and the persons identified as the document authors. All rights reserved.

## Status of This Memo

This Internet-Draft is submitted in full conformance with the provisions of [BCP 78](#) and [BCP 79](#).

Internet-Drafts are working documents of the Internet Engineering Task Force (IETF). Note that other groups may also distribute working documents as Internet-Drafts. The list of current Internet-Drafts is at <http://datatracker.ietf.org/drafts/current/>.

Internet-Drafts are draft documents valid for a maximum of six months and may be updated, replaced, or obsoleted by other documents at any time. It is inappropriate to use Internet-Drafts as reference material or to cite them other than as "work in progress."

This Internet-Draft will expire on September 18, 2016.

## Copyright Notice

Copyright (c) 2016 IETF Trust and the persons identified as the document authors. All rights reserved.

This document is subject to [BCP 78](https://trustee.ietf.org/license-info) and the IETF Trust's Legal Provisions Relating to IETF Documents (<http://trustee.ietf.org/license-info>) in effect on the date of publication of this document. Please review these documents carefully, as they describe your rights and restrictions with respect to this document. Code Components extracted from this document must include Simplified BSD License text as described in Section 4.e of the Trust Legal Provisions and are provided without warranty as described in the Simplified BSD License.

## Table of Contents

<a href="#">1.</a>	<a href="#">Introduction</a>	<a href="#">3</a>
<a href="#">2.</a>	<a href="#">The Internet-Standard Management Framework</a>	<a href="#">4</a>
<a href="#">3.</a>	<a href="#">Conventions</a>	<a href="#">5</a>
<a href="#">4.</a>	<a href="#">Overview</a>	<a href="#">5</a>
<a href="#">4.1.</a>	<a href="#">Use Cases</a>	<a href="#">6</a>
<a href="#">4.2.</a>	<a href="#">Optical Parameters Description</a>	<a href="#">6</a>
<a href="#">4.2.1.</a>	<a href="#">Rs-Ss Configuration</a>	<a href="#">6</a>
<a href="#">4.2.2.</a>	<a href="#">Table of Application Identifiers</a>	<a href="#">7</a>
<a href="#">4.3.</a>	<a href="#">Use of ifTable</a>	<a href="#">8</a>
<a href="#">4.3.1.</a>	<a href="#">Use of ifTable for OPS Layer</a>	<a href="#">10</a>
<a href="#">4.3.2.</a>	<a href="#">Use of ifTable for OCh Layer</a>	<a href="#">11</a>
<a href="#">4.3.3.</a>	<a href="#">Use of ifStackTable</a>	<a href="#">11</a>
<a href="#">5.</a>	<a href="#">Structure of the MIB Module</a>	<a href="#">12</a>
<a href="#">6.</a>	<a href="#">Object Definitions</a>	<a href="#">12</a>
<a href="#">7.</a>	<a href="#">Relationship to Other MIB Modules</a>	<a href="#">19</a>
<a href="#">7.1.</a>	<a href="#">Relationship to the [TEMPLATE TODO] MIB</a>	<a href="#">19</a>
<a href="#">7.2.</a>	<a href="#">MIB modules required for IMPORTS</a>	<a href="#">19</a>
<a href="#">8.</a>	<a href="#">Definitions</a>	<a href="#">19</a>
<a href="#">9.</a>	<a href="#">Security Considerations</a>	<a href="#">19</a>



<a href="#">10.</a>	<a href="#">IANA Considerations</a>	<a href="#">20</a>
<a href="#">11.</a>	<a href="#">Contributors</a>	<a href="#">20</a>
<a href="#">12.</a>	<a href="#">References</a>	<a href="#">21</a>
<a href="#">12.1.</a>	<a href="#">Normative References</a>	<a href="#">21</a>
<a href="#">12.2.</a>	<a href="#">Informative References</a>	<a href="#">24</a>
<a href="#">Appendix A.</a>	<a href="#">Change Log</a>	<a href="#">24</a>
<a href="#">Appendix B.</a>	<a href="#">Open Issues</a>	<a href="#">24</a>
	<a href="#">Authors' Addresses</a>	<a href="#">24</a>

## [1.](#) Introduction

This memo defines a portion of the Management Information Base (MIB) used by Simple Network Management Protocol (SNMP) in TCP/IP-based internets. In particular, it defines objects for managing single channel optical interface parameters of DWDM applications, using the approach specified in G.698.2. This RFC is an extension of [RFC3591](#) to support the optical parameters specified in ITU-T G.698.2 [[ITU.G698.2](#)] and application identifiers specified in ITU-T G.874.1 [[ITU.G874.1](#)]. Note that G.874.1 encompasses vendor-specific codes, which if used would make the interface a single vendor IaDI and could still be managed.

The Black Link approach allows supporting an optical transmitter/receiver pair of one vendor to inject an optical tributary signal and run it over an optical network composed of amplifiers, filters, add-drop multiplexers from a different vendor. In the OTN architecture, the 'black-link' represents a pre-certified network media channel conforming to G.698.2 specifications at the S and R reference points.

[Editor's note: In G.698.2 this corresponds to the optical path from point S to R; network media channel is also used and explained in [draft-ietf-ccamp-flexi-grid-fwk-02](#)]

Management will be performed at the edges of the network media channel (i.e., at the transmitters and receivers attached to the S and R reference points respectively) for the relevant parameters specified in G.698.2 [[ITU.G698.2](#)], G.798 [[ITU.G798](#)], G.874 [[ITU.G874](#)], and the performance parameters specified in G.7710/Y.1701 [ITU-T G.7710] and G.874.1 [[ITU.G874.1](#)].

G.698.2 [[ITU.G698.2](#)] is primarily intended for metro applications that include optical amplifiers. Applications are defined in G.698.2 [[ITU.G698.2](#)] using optical interface parameters at the single-channel connection points between optical transmitters and the optical multiplexer, as well as between optical receivers and the optical demultiplexer in the DWDM system. This Recommendation uses a methodology which does not explicitly specify the details of the optical network between reference point Ss and Rs, e.g., the passive



and active elements or details of the design. The Recommendation currently includes unidirectional DWDM applications at 2.5 and 10 Gbit/s (with 100 GHz and 50 GHz channel frequency spacing). Work is still under way for 40 and 100 Gbit/s interfaces. There is possibility for extensions to a lower channel frequency spacing. This document specifically refers to the "application code" defined in the G.698.2 [[ITU.G698.2](#)] and included in the Application Identifier defined in G.874.1 [[ITU.G874.1](#)] and G.872 [[ITU.G872](#)], plus a few optical parameters not included in the G.698.2 application code specification.

This draft refers and supports also the [draft-kunze-g-698-2-management-control-framework](#)

The building of an SNMP MIB describing the optical parameters defined in G.698.2 [[ITU.G698.2](#)], and reflected in G.874.1 [[ITU.G874](#)], allows the different vendors and operator to retrieve, provision and exchange information across the G.698.2 multi-vendor IaDI in a standardized way.

The MIB, reporting the Optical parameters and their values, characterizes the features and the performances of the optical components and allow a reliable black link design in case of multi vendor optical networks.

Although [RFC 3591](#) [[RFC3591](#)] describes and defines the SNMP MIB of a number of key optical parameters, alarms and Performance Monitoring, as this RFC is over a decade old, it is primarily pre-OTN, and a more complete and up-to-date description of optical parameters and processes can be found in the relevant ITU-T Recommendations. The same considerations can be applied to the [RFC 4054](#) [[RFC4054](#)]

## **[2. The Internet-Standard Management Framework](#)**

For a detailed overview of the documents that describe the current Internet-Standard Management Framework, please refer to [section 7 of RFC 3410](#) [[RFC3410](#)].

Managed objects are accessed via a virtual information store, termed the Management Information Base or MIB. MIB objects are generally accessed through the Simple Network Management Protocol (SNMP). Objects in the MIB are defined using the mechanisms defined in the Structure of Management Information (SMI). This memo specifies a MIB module that is compliant to the SMIV2, which is described in STD 58, [RFC 2578](#) [[RFC2578](#)], STD 58, [RFC 2579](#) [[RFC2579](#)] and STD 58, [RFC 2580](#) [[RFC2580](#)].

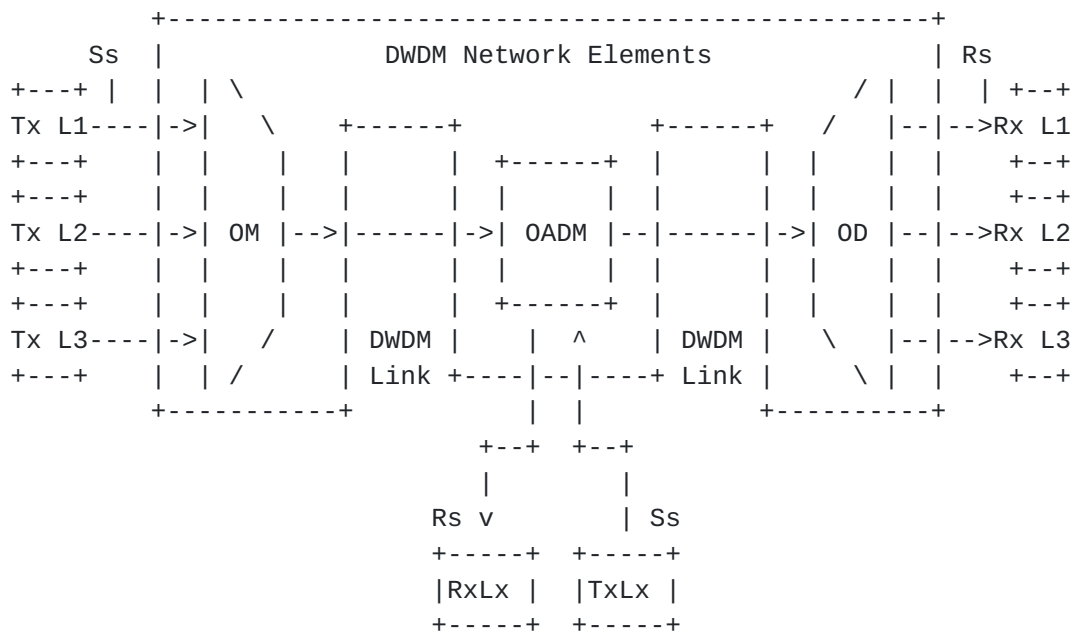


### 3. Conventions

The key words "MUST", "MUST NOT", "REQUIRED", "SHALL", "SHALL NOT", "SHOULD", "SHOULD NOT", "RECOMMENDED", "MAY", and "OPTIONAL" in this document are to be interpreted as described in [RFC 2119](#) [RFC2119]. In the description of OIDs the convention: Set (S) Get (G) and Trap (T) conventions will describe the action allowed by the parameter.

### 4. Overview

Figure 1 shows a set of reference points, for the linear "black link" approach, for single-channel connection (Ss and Rs) between transmitters (Tx) and receivers (Rx). Here the DWDM network elements include an OM and an OD (which are used as a pair with the opposing element), one or more optical amplifiers and may also include one or more OADMs.



- Ss = reference point at the DWDM network element tributary output
- Rs = reference point at the DWDM network element tributary input
- Lx = Lambda x
- OM = Optical Mux
- OD = Optical Demux
- OADM = Optical Add Drop Mux

from Fig. 5.1/G.698.2

Figure 1: Linear Black Link approach





G.698.2 [[ITU.G698.2](#)] defines also Ring "Black Link" approach configurations [Fig. 5.2/G.698.2] and Linear "black link" approach for Bidirectional applications[Fig. 5.3/G.698.2]

#### **4.1. Use Cases**

The use cases are described in [draft-kdkgall-ccamp-dwdm-if-mng-ctrl-fwk](#)

#### **4.2. Optical Parameters Description**

The G.698.2 pre-certified network media channels are managed at the edges, i.e. at the transmitters (Tx) and receivers (Rx) attached to the S and R reference points respectively. The set of parameters that could be managed are specified in G.698.2 [[ITU.G698.2](#)] [section 5.3](#) referring the "application code" notation

The definitions of the optical parameters are provided below to increase the readability of the document, where the definition is ended by (G) the parameter can be retrieve with a GET, when (S) it can be provisioned by a SET, (G,S) can be either GET and SET.

To support the management of these parameters, the SNMP MIB in [RFC 3591](#) [[RFC3591](#)] is extended with a new MIB module defined in [section 6](#) of this document. This new MIB module includes the definition of new configuration table of the OCh Layer for the parameters at Tx (S) and Rx (R).

##### **4.2.1. Rs-Ss Configuration**

The Rs-Ss configuration table allows configuration of Central Frequency, Power and Application identifiers as described in [[ITU.G698.2](#)] and G.694.1 [[ITU.G694.1](#)]  
This parameter report the current Transceiver Output power, it can be either a setting and measured value (G, S).

Central frequency (see G.694.1 Table 1):

This parameter indicates the central frequency value that Ss and Rs will be set, to work (in THz), in particular [Section 6](#)/G.694.1 (G, S).

Single-channel application identifiers (see G.698.2):

This parameter indicates the transceiver application identifier at Ss and Rs as defined in [[ITU.G698.2](#)] Chapter 5.4 - this parameter can be called Optical Interface Identifier OII as per [[draft-martinelli-wson-interface-class](#)] (G).

Number of Single-channel application identifiers Supported



This parameter indicates the number of Single-channel application codes supported by this interface (G).

Current Laser Output power:

This parameter report the current Transceiver Output power, see [RFC3591](#).

Current Laser Input power:

This parameter report the current Transceiver Input power see [RFC3591](#).

PARAMETERS	Get/Set	Reference
Central Frequency	G,S	G.694.1 S.6
Single-channel Application Identifier number in use	G	G.874.1
Single-channel Application Identifier Type in use	G	G.874.1
Single-channel Application Identifier in use	G	G.874.1
Number of Single-channel Application Identifiers Supported	G	N.A.
Current Output Power	G,S	<a href="#">RFC3591</a>
Current Input Power	G	<a href="#">RFC3591</a>

Table 1: Rs-Ss Configuration

#### [4.2.2.](#) Table of Application Identifiers

This table has a list of Application Identifiers supported by this interface at point R are defined in G.698.2.



Application Identifier Number:

The number that uniquely identifies the Application Identifier.

Application Identifier Type:

Type of application Identifier: STANDARD / PROPRIETARY in G.874.1

Note: if the A.I. type = PROPRIETARY, the first 6 Octets of the Application Identifier (PrintableString) must contain the Hexadecimal representation of an OUI (organizationally unique identifier) assigned to the vendor whose implementation generated the Application Identifier; the remaining octets of the PrintableString are unspecified.

Application Identifier:

This is the application Identifier that is defined in G.874.1.

#### **4.3. Use of ifTable**

This section specifies how the MIB II interfaces group, as defined in [RFC 2863](#) [[RFC2863](#)], is used for the link ends of a black link. Only the ifGeneralInformationGroup will be supported for the ifTable and the ifStackTable to maintain the relationship between the OCh and OPS layers. The OCh and OPS layers are managed in the ifTable using IfEntries that correlate to the layers depicted in Figure 1.

For example, a device with TX and/or RX will have an Optical Physical Section (OPS) layer, and an OCh layer. There is a one to n relationship between the OPS and OCh layers.

EDITOR NOTE: Reason for changing from OChr to OCh: Edition 3 of G.872 removed OChr from the architecture and G.709 was subsequently updated to account for this architectural change.



Figure 2 In the following figures, opticalPhysicalSection are abbreviated as OPS.

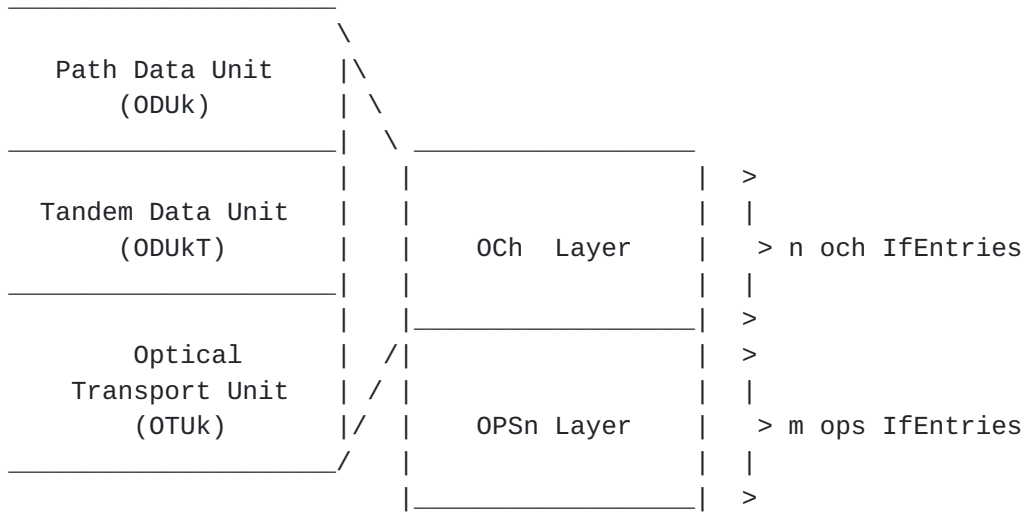


Figure 2: OTN Layers for OPS and OCh

Each opticalChannel IfEntry is mapped to one of the m opticalPhysicalSection IfEntries, where m is greater than or equal to 1. Conversely, each opticalTransPhysicalSection port entry is mapped to one of the n opticalChannel IfEntries, where n is greater than or equal to 1.

The design of the Optical Interface MIB provides the option to model an interface either as a single bidirectional object containing both sink and source functions or as a pair of unidirectional objects, one containing sink functions and the other containing source functions.

If the sink and source for a given protocol layer are to be modelled as separate objects, then there need to be two ifTable entries, one that corresponds to the sink and one that corresponds to the source, where the directionality information is provided in the configuration tables for that layer via the associated Directionality objects. The agent is expected to maintain consistent directionality values between ifStackTable layers (e.g., a sink must not be stacked in a 1:1 manner on top of a source, or vice-versa), and all protocol layers that are represented by a given ifTable entry are expected to have the same directionality.





When separate ifTable entries are used for the source and sink functions of a given physical interface, association between the two uni-directional ifTable entries (one for the source function and the other for the sink functions) should be provided. It is recommended that identical ifName values are used for the two ifTable entries to indicate such association. An implementation shall explicitly state what mechanism is used to indicate the association, if ifName is not used.

**4.3.1. Use of ifTable for OPS Layer**

Only the ifGeneralInformationGroup needs to be supported.

ifTable Object	Use for OTN OPS Layer
ifIndex	The interface index.
ifDescr	Optical Transport Network (OTN) Optical Physical Section (OPS)
ifType	opticalPhysicalSection (xxx)
<<<Editor Note: Need new IANA registration value for xxx. >>>	
ifSpeed	Actual bandwidth of the interface in bits per second. If the bandwidth of the interface is greater than the maximum value of 4,294,967,295 then the maximum value is reported and ifHighSpeed must be used to report the interface's speed.
ifPhysAddress	An octet string with zero length. (There is no specific address associated with the interface.)
ifAdminStatus	The desired administrative state of the interface. Supports read-only access.
ifOperStatus	The operational state of the interface. The value lowerLayerDown(7) is not used, since there is no lower layer interface. This object is set to notPresent(6) if a component is missing, otherwise it is set to down(2) if either of the objects optIfOPSnCurrentStatus indicates that any defect is present.



ifLastChange	The value of sysUpTime at the last change in ifOperStatus.
ifName	Enterprise-specific convention (e.g., TL-1 AID) to identify the physical or data entity associated with this interface or an OCTET STRING of zero length. The enterprise-specific convention is intended to provide the means to reference one or more enterprise-specific tables.
ifLinkUpDownTrapEnable	Default value is enabled(1). Supports read-only access.
ifHighSpeed	Actual bandwidth of the interface in Mega-bits per second. A value of n represents a range of 'n-0.5' to 'n+0.499999'.
ifConnectorPresent	Set to true(1).
ifAlias	The (non-volatile) alias name for this interface as assigned by the network manager.

#### **4.3.2. Use of ifTable for OCh Layer**

Use of ifTable for OCh Layer See [RFC 3591](#) [[RFC3591](#)] [section 2.4](#)

#### **4.3.3. Use of ifStackTable**

Use of the ifStackTable and ifInvStackTable to associate the opticalPhysicalSection and opticalChannel interface entries is best illustrated by the example shown in Figure 3. The example assumes an ops interface with ifIndex i that carries two multiplexed OCh interfaces with ifIndex values of j and k, respectively. The example shows that j and k are stacked above (i.e., multiplexed into) i. Furthermore, it shows that there is no layer lower than i and no layer higher than j and/or k.



Figure 3

HigherLayer	LowerLayer
0	j
0	k
j	i
k	i
i	0

Figure 3: Use of ifStackTable for an OTN port

For the inverse stack table, it provides the same information as the interface stack table, with the order of the Higher and Lower layer interfaces reversed.

## 5. Structure of the MIB Module

EDITOR NOTE: text will be provided based on the MIB module in [Section 6](#)

## 6. Object Definitions

EDITOR NOTE: Once the scope in [Section 1](#) and the parameters in [Section 4](#) are finalized, a MIB module will be defined. It could be an extension to the OPT-IF-MIB module of [RFC 3591](#). >>>



```
OPT-IF-698-MIB DEFINITIONS ::= BEGIN
```

```
IMPORTS
```

```
    MODULE-IDENTITY,  
    OBJECT-TYPE,  
    Gauge32,  
    Integer32,  
    Unsigned32,  
    Counter64,  
    transmission,  
    NOTIFICATION-TYPE  
        FROM SNMPv2-SMI  
    TEXTUAL-CONVENTION,  
    RowPointer,  
    RowStatus,  
    TruthValue,  
    DisplayString,  
    DateAndTime  
        FROM SNMPv2-TC  
    SnmpAdminString  
        FROM SNMP-FRAMEWORK-MIB  
    MODULE-COMPLIANCE, OBJECT-GROUP  
        FROM SNMPv2-CONF  
    ifIndex  
        FROM IF-MIB  
    optIfMibModule  
        FROM OPT-IF-MIB;
```

```
-- This is the MIB module for the optical parameters -  
-- Application codes associated with the black link end points.
```

```
optIfXcvrMibModule MODULE-IDENTITY  
    LAST-UPDATED "201401270000Z"  
    ORGANIZATION "IETF Ops/Camp MIB Working Group"  
    CONTACT-INFO  
        "WG charter:  
         http://www.ietf.org/html.charters/  
  
         Mailing Lists:  
         Editor: Gabriele Galimberti  
         Email: ggalimbe@cisco.com"  
    DESCRIPTION  
        "The MIB module to describe Black Link tranceiver  
         characteristics to rfc3591."
```





Copyright (C) The Internet Society (2014). This version of this MIB module is an extension to [rfc3591](#); see the RFC itself for full legal notices."

REVISION "201305050000Z"

DESCRIPTION

"Draft version 1.0"

REVISION "201305050000Z"

DESCRIPTION

"Draft version 2.0"

REVISION "201302270000Z"

DESCRIPTION

"Draft version 3.0"

REVISION "201307020000Z"

DESCRIPTION

"Draft version 4.0"

Changed the draft to include only the G.698 parameters."

REVISION "201311020000Z"

DESCRIPTION

"Draft version 5.0"

Mib has a table of application code/vendor transceivercode G.698"

REVISION "201401270000Z"

DESCRIPTION

"Draft version 6.0"

REVISION "201407220000Z"

DESCRIPTION

"Draft version 8.0"

Removed Vendor transceiver code"

REVISION "201502220000Z"

DESCRIPTION

"Draft version 11.0"

Added reference to OUI in the first 6 Octets of a proprietary Application code

Added a Length field for the Application code

Changed some names"

REVISION "201507060000Z"

DESCRIPTION

"Draft version 12.0"

Added Power Measurement Use Cases and ITU description" "

::= { optIfMibModule 4 }

::= { optIfMibModule 4 }

-- Addition to the [RFC 3591](#) objects

optIfOChSsRsGroup OBJECT IDENTIFIER ::= { optIfXcvrMibModule 1 }



```
-- 0Ch Ss/Rs config table
-- The application code/vendor transceiver class for the Black Link
-- Ss-Rs will be added to the 0chConfigTable
```

```
optIf0ChSsRsConfigTable OBJECT-TYPE
    SYNTAX SEQUENCE OF OptIf0ChSsRsConfigEntry
    MAX-ACCESS not-accessible
    STATUS current
    DESCRIPTION
        "A table of 0ch General config extension parameters"
    ::= { optIf0ChSsRsGroup 1 }
```

```
optIf0ChSsRsConfigEntry OBJECT-TYPE
    SYNTAX OptIf0ChSsRsConfigEntry
    MAX-ACCESS not-accessible
    STATUS current
    DESCRIPTION
        "A conceptual row that contains G.698 parameters for an
        interface."
    INDEX { ifIndex }
    ::= { optIf0ChSsRsConfigTable 1 }
```

```
OptIf0ChSsRsConfigEntry ::=
    SEQUENCE {
        optIf0ChCentralFrequency             Unsigned32,
        optIf0ChCfgApplicationIdentifierNumber Unsigned32,
        optIf0ChCfgApplicationIdentifierType Unsigned32,
        optIf0ChCfgApplicationIdentifierLength Unsigned32,
        optIf0ChCfgApplicationIdentifier    DisplayString,
        optIf0ChNumberApplicationCodesSupported Unsigned32
    }
```

```
optIf0ChCentralFrequency OBJECT-TYPE
    SYNTAX Unsigned32
    MAX-ACCESS read-write
    UNITS "THz"
    STATUS current
    DESCRIPTION
        " This parameter indicates the frequency of this interface.
        "
    ::= { optIf0ChSsRsConfigEntry 1 }
```

```
optIf0ChCfgApplicationIdentifierNumber OBJECT-TYPE
    SYNTAX Unsigned32
    MAX-ACCESS read-write
    STATUS current
    DESCRIPTION
        "This parameter uniquely indicates the transceiver
```



application code at Ss and Rs as defined in [[ITU.G874.1](#)], that is used by this interface.

The optIf0ChSrcApplicationIdentifierTable has all the application codes supported by this interface. "

```
::= { optIf0ChSsRsConfigEntry 2 }
```

optIf0ChCfgApplicationIdentifierType OBJECT-TYPE

SYNTAX Unsigned32

MAX-ACCESS read-write

STATUS current

DESCRIPTION

"This parameter indicates the transceiver type of application code at Ss and Rs as defined in [[ITU.G874.1](#)], that is used by this interface.

The optIf0ChSrcApplicationIdentifierTable has all the application codes supported by this interface

Standard = 0, PROPRIETARY = 1. "

```
::= { optIf0ChSsRsConfigEntry 3 }
```

optIf0ChCfgApplicationIdentifierLenght OBJECT-TYPE

SYNTAX Unsigned32

MAX-ACCESS read-write

STATUS current

DESCRIPTION

"This parameter indicates the number of octets in the Application Identifier.

"

```
::= { optIf0ChSsRsConfigEntry 4 }
```

optIf0ChCfgApplicationIdentifier OBJECT-TYPE

SYNTAX DisplayString

MAX-ACCESS read-write

STATUS current

DESCRIPTION

"This parameter indicates the transceiver application code at Ss and Rs as defined in [[ITU.G698.2](#)] Chapter 5.3, that is used by this interface. The

optIf0ChSrcApplicationCodeTable has all the application codes supported by this interface.

If the optIf0ChCfgApplicationIdentifierType is 1 (Proprietary), then the first 6 octets of the printable string will be the OUI (organizationally unique identifier) assigned to the vendor whose implementation generated the Application Identifier."

```
::= { optIf0ChSsRsConfigEntry 5 }
```

optIf0ChNumberApplicationIdentifiersSupported OBJECT-TYPE



```
SYNTAX Unsigned32
MAX-ACCESS read-only
STATUS current
DESCRIPTION
    " Number of Application codes supported by this interface."
 ::= { optIfOChSsRsConfigEntry 6 }

-- Table of Application codes supported by the interface
-- OptIfOChSrcApplicationCodeEntry

optIfOChSrcApplicationIdentifierTable OBJECT-TYPE
    SYNTAX SEQUENCE OF OptIfOChSrcApplicationIdentifierEntry
    MAX-ACCESS not-accessible
    STATUS current
    DESCRIPTION
        "A Table of Application codes supported by this interface."
    ::= { optIfOChSsRsGroup 2 }

optIfOChSrcApplicationIdentifierEntry OBJECT-TYPE
    SYNTAX OptIfOChSrcApplicationIdentifierEntry
    MAX-ACCESS not-accessible
    STATUS current
    DESCRIPTION
        "A conceptual row that contains the Application code for
        this interface."
    INDEX { ifIndex, optIfOChApplicationIdentifierNumber }
    ::= { optIfOChSrcApplicationIdentifierTable 1 }

OptIfOChSrcApplicationIdentifierEntry ::=
    SEQUENCE {
        optIfOChApplicationIdentifierNumber      Integer32,
        optIfOChApplicationIdentifierType        Integer32,
        optIfOChApplicationIdentifierLength      Integer32,
        optIfOChApplicationIdentifier           DisplayString
    }

optIfOChApplicationIdentifierNumber OBJECT-TYPE
    SYNTAX Integer32 (1..255)
    MAX-ACCESS not-accessible
    STATUS current
    DESCRIPTION
        " The number/identifier of the application code supported at
        this interface. The interface can support more than one
        application codes.
        "
    ::= { optIfOChSrcApplicationIdentifierEntry 1}
```





```
optIfOChApplicationIdentiferType OBJECT-TYPE
    SYNTAX Integer32 (1..255)
    MAX-ACCESS read-only
    STATUS current
    DESCRIPTION
        " The type of identifier of the application code supported at
          this interface. The interface can support more than one
          application codes.
          Standard = 0, PROPRIETARY = 1
        "
    ::= { optIfOChSrcApplicationIdentifierEntry 2}

optIfOChApplicationIdentiferLength OBJECT-TYPE
    SYNTAX Integer32 (1..255)
    MAX-ACCESS read-only
    STATUS current
    DESCRIPTION
        " This parameter indicates the number of octets in the
          Application Identifier.
        "
    ::= { optIfOChSrcApplicationIdentifierEntry 3}

optIfOChApplicationIdentifier OBJECT-TYPE
    SYNTAX DisplayString
    MAX-ACCESS read-only
    STATUS current
    DESCRIPTION
        " The application code supported by this interface DWDM
          link.
          If the optIfOChApplicationIdentiferType is 1 (Proprietary),
          then the first 6 octets of the printable string will be
          the OUI (organizationally unique identifier) assigned to
          the vendor whose implementation generated the Application
          Identifier."
    ::= { optIfOChSrcApplicationIdentifierEntry 4}

-- Notifications

-- Central Frequency Change Notification
optIfOChCentralFrequencyChange NOTIFICATION-TYPE
    OBJECTS { optIfOChCentralFrequency }
    STATUS current
    DESCRIPTION
        "Notification of a change in the central frequency."
```



```
 ::= { optIfXcvrMibModule 1 }
```

END

## **7. Relationship to Other MIB Modules**

### **7.1. Relationship to the [TEMPLATE TODO] MIB**

### **7.2. MIB modules required for IMPORTS**

## **8. Definitions**

[TEMPLATE TODO]: put your valid MIB module here.

A list of tools that can help automate the process of checking MIB definitions can be found at

<http://www.ops.ietf.org/mib-review-tools.html>

## **9. Security Considerations**

There are a number of management objects defined in this MIB module with a MAX-ACCESS clause of read-write and/or read-create. Such objects may be considered sensitive or vulnerable in some network environments. The support for SET operations in a non-secure environment without proper protection can have a negative effect on network operations. These are the tables and objects and their sensitivity/vulnerability:

o

Some of the readable objects in this MIB module (i.e., objects with a MAX-ACCESS other than not-accessible) may be considered sensitive or vulnerable in some network environments. It is thus important to control even GET and/or NOTIFY access to these objects and possibly to even encrypt the values of these objects when sending them over the network via SNMP.

SNMP versions prior to SNMPv3 did not include adequate security. Even if the network itself is secure (for example by using IPsec), even then, there is no control as to who on the secure network is allowed to access and GET/SET (read/change/create/delete) the objects in this MIB module.

It is RECOMMENDED that implementers consider the security features as provided by the SNMPv3 framework (see [\[RFC3410\]](#), section 8), including full support for the SNMPv3 cryptographic mechanisms (for authentication and privacy).



Further, deployment of SNMP versions prior to SNMPv3 is NOT RECOMMENDED. Instead, it is RECOMMENDED to deploy SNMPv3 and to enable cryptographic security. It is then a customer/operator responsibility to ensure that the SNMP entity giving access to an instance of this MIB module is properly configured to give access to the objects only to those principals (users) that have legitimate rights to indeed GET or SET (change/create/delete) them.

**10. IANA Considerations**

Option #1:

The MIB module in this document uses the following IANA-assigned OBJECT IDENTIFIER values recorded in the SMI Numbers registry:

Descriptor	OBJECT IDENTIFIER value
-----	-----
sampleMIB	{ mib-2 XXX }

Option #2:

Editor's Note (to be removed prior to publication): the IANA is requested to assign a value for "XXX" under the 'mib-2' subtree and to record the assignment in the SMI Numbers registry. When the assignment has been made, the RFC Editor is asked to replace "XXX" (here and in the MIB module) with the assigned value and to remove this note.

Note well: prior to official assignment by the IANA, an internet draft MUST use place holders (such as "XXX" above) rather than actual numbers. See [RFC4181 Section 4.5](#) for an example of how this is done in an internet draft MIB module.

Option #3:

This memo includes no request to IANA.

**11. Contributors**



Arnold Mattheus  
Deutsche Telekom  
Darmstadt  
Germany  
email a.mattheus@telekom.de

Manuel Paul  
Deutsche Telekom  
Berlin  
Germany  
email Manuel.Paul@telekom.de

Frank Luennemann  
Deutsche Telekom  
Munster  
Germany  
email Frank.Luennemann@telekom.de

Scott Mansfield  
Ericsson Inc.  
email scott.mansfield@ericsson.com

Najam Saquib  
Cisco  
Ludwig-Erhard-Strasse 3  
ESCHBORN, HESSEN 65760  
GERMANY  
email nasaquib@cisco.com

Walid Wakim  
Cisco  
9501 Technology Blvd  
ROSEMONT, ILLINOIS 60018  
UNITED STATES  
email wwakim@cisco.com

Ori Gerstel  
Sedona System  
ISRAEL  
email orig@sedonasys.com

## **12. References**

### **12.1. Normative References**

- [RFC2863] McCloghrie, K. and F. Kastenholz, "The Interfaces Group MIB", [RFC 2863](#), DOI 10.17487/RFC2863, June 2000, <<http://www.rfc-editor.org/info/rfc2863>>.





- [RFC2119] Bradner, S., "Key words for use in RFCs to Indicate Requirement Levels", [BCP 14](#), [RFC 2119](#), DOI 10.17487/RFC2119, March 1997, <<http://www.rfc-editor.org/info/rfc2119>>.
- [RFC2578] McCloghrie, K., Ed., Perkins, D., Ed., and J. Schoenwaelder, Ed., "Structure of Management Information Version 2 (SMIV2)", STD 58, [RFC 2578](#), DOI 10.17487/RFC2578, April 1999, <<http://www.rfc-editor.org/info/rfc2578>>.
- [RFC2579] McCloghrie, K., Ed., Perkins, D., Ed., and J. Schoenwaelder, Ed., "Textual Conventions for SMIV2", STD 58, [RFC 2579](#), DOI 10.17487/RFC2579, April 1999, <<http://www.rfc-editor.org/info/rfc2579>>.
- [RFC2580] McCloghrie, K., Ed., Perkins, D., Ed., and J. Schoenwaelder, Ed., "Conformance Statements for SMIV2", STD 58, [RFC 2580](#), DOI 10.17487/RFC2580, April 1999, <<http://www.rfc-editor.org/info/rfc2580>>.
- [RFC3591] Lam, H-K., Stewart, M., and A. Huynh, "Definitions of Managed Objects for the Optical Interface Type", [RFC 3591](#), DOI 10.17487/RFC3591, September 2003, <<http://www.rfc-editor.org/info/rfc3591>>.
- [RFC6205] Otani, T., Ed. and D. Li, Ed., "Generalized Labels for Lambda-Switch-Capable (LSC) Label Switching Routers", [RFC 6205](#), DOI 10.17487/RFC6205, March 2011, <<http://www.rfc-editor.org/info/rfc6205>>.
- [I-D.kdkgall-ccamp-dwdm-if-mng-ctrl-fwk]  
Kunze, R., Grammel, G., Beller, D., and G. Galimberti, "A framework for Management and Control of G.698.2 optical interface parameters", [draft-kdkgall-ccamp-dwdm-if-mng-ctrl-fwk-00](#) (work in progress), October 2015.
- [ITU.G698.2]  
International Telecommunications Union, "Amplified multichannel dense wavelength division multiplexing applications with single channel optical interfaces", ITU-T Recommendation G.698.2, November 2009.
- [ITU.G709]  
International Telecommunications Union, "Interface for the Optical Transport Network (OTN)", ITU-T Recommendation G.709, February 2012.



[ITU.G872]

International Telecommunications Union, "Architecture of optical transport networks", ITU-T Recommendation G.872 and Amd.1, October 2012.

[ITU.G798]

International Telecommunications Union, "Characteristics of optical transport network hierarchy equipment functional blocks", ITU-T Recommendation G.798 and Amd.1, December 2012.

[ITU.G874]

International Telecommunications Union, "Management aspects of optical transport network elements", ITU-T Recommendation G.874, August 2013.

[ITU.G874.1]

International Telecommunications Union, "Optical transport network (OTN): Protocol-neutral management information model for the network element view", ITU-T Recommendation G.874.1, October 2012.

[ITU.G959.1]

International Telecommunications Union, "Optical transport network physical layer interfaces", ITU-T Recommendation G.959.1, November 2009.

[ITU.G826]

International Telecommunications Union, "End-to-end error performance parameters and objectives for international, constant bit-rate digital paths and connections", ITU-T Recommendation G.826, November 2009.

[ITU.G8201]

International Telecommunications Union, "Error performance parameters and objectives for multi-operator international paths within the Optical Transport Network (OTN)", ITU-T Recommendation G.8201, April 2011.

[ITU.G694.1]

International Telecommunications Union, "Spectral grids for WDM applications: DWDM frequency grid", ITU-T Recommendation G.694.1, February 2012.

[ITU.G7710]

International Telecommunications Union, "Common equipment management function requirements", ITU-T Recommendation G.7710, February 2012.



## **12.2. Informative References**

- [RFC3410] Case, J., Mundy, R., Partain, D., and B. Stewart, "Introduction and Applicability Statements for Internet-Standard Management Framework", [RFC 3410](#), DOI 10.17487/RFC3410, December 2002, <<http://www.rfc-editor.org/info/rfc3410>>.
- [RFC2629] Rose, M., "Writing I-Ds and RFCs using XML", [RFC 2629](#), DOI 10.17487/RFC2629, June 1999, <<http://www.rfc-editor.org/info/rfc2629>>.
- [RFC4181] Heard, C., Ed., "Guidelines for Authors and Reviewers of MIB Documents", [BCP 111](#), [RFC 4181](#), DOI 10.17487/RFC4181, September 2005, <<http://www.rfc-editor.org/info/rfc4181>>.
- [RFC4054] Strand, J., Ed. and A. Chiu, Ed., "Impairments and Other Constraints on Optical Layer Routing", [RFC 4054](#), DOI 10.17487/RFC4054, May 2005, <<http://www.rfc-editor.org/info/rfc4054>>.

## **Appendix A. Change Log**

This optional section should be removed before the internet draft is submitted to the IESG for publication as an RFC.

Note to RFC Editor: please remove this appendix before publication as an RFC.

## **Appendix B. Open Issues**

Note to RFC Editor: please remove this appendix before publication as an RFC.

## Authors' Addresses

Gabriele Galimberti (editor)  
Cisco  
Via Santa Maria Molgora, 48 c  
20871 - Vimercate  
Italy

Phone: +390392091462  
Email: ggalimbe@cisco.com



Ruediger Kunze (editor)  
Deutsche Telekom  
Dddd, xx  
Berlin  
Germany

Phone: +49xxxxxxxxxx  
Email: RKunze@telekom.de

Hing-Kam Lam (editor)  
Alcatel-Lucent  
600-700 Mountain Avenue, Murray Hill  
New Jersey, 07974  
USA

Phone: +17323313476  
Email: kam.lam@alcatel-lucent.com

Dharini Hiremagalur (editor)  
Juniper  
1194 N Mathilda Avenue  
Sunnyvale - 94089 California  
USA

Phone: +1408  
Email: dharinih@juniper.net

Luyuan Fang (editor)  
Microsoft  
5600 148th Ave NE  
Redmond, WA 98502  
USA

Email: lufang@microsoft.com

Gary Ratterree (editor)  
Microsoft  
5600 148th Ave NE  
Redmond, WA 98502  
USA

Email: gratt@microsoft.com



