

CCAMP Working Group  
Internet Draft  
Intended Status: Standard Track  
Expires: December 20, 2018

G. Fioccola (Ed.)  
Telecom Italia  
K. Lee  
Korea Telecom  
Y. Lee (Ed.)  
D. Dhody  
Huawei  
O. Gonzalez de-Dios  
Telefonica  
D. Ceccarelli  
Ericsson

June 20, 2018

A Yang Data Model for L1 Connectivity Service Model (L1CSM)

[draft-ietf-ccamp-l1csm-yang-03](#)

## Abstract

This document provides a YANG data model for Layer 1 Connectivity Service Model (L1CSM).

## Status of this Memo

This Internet-Draft is submitted to IETF in full conformance with the provisions of [BCP 78](#) and [BCP 79](#).

Internet-Drafts are working documents of the Internet Engineering Task Force (IETF), its areas, and its working groups. Note that other groups may also distribute working documents as Internet-Drafts.

Internet-Drafts are draft documents valid for a maximum of six months and may be updated, replaced, or obsoleted by other documents at any time. It is inappropriate to use Internet-Drafts as reference material or to cite them other than as "work in progress."

The list of current Internet-Drafts can be accessed at <http://www.ietf.org/ietf/lid-abstracts.txt>

The list of Internet-Draft Shadow Directories can be accessed at <http://www.ietf.org/shadow.html>

This Internet-Draft will expire on October 25, 2018.

Copyright (c) 2018 IETF Trust and the persons identified as the document authors. All rights reserved.

This document is subject to [BCP 78](#) and the IETF Trust's Legal Provisions Relating to IETF Documents (<http://trustee.ietf.org/license-info>) in effect on the date of publication of this document. Please review these documents carefully, as they describe your rights and restrictions with respect to this document. Code Components extracted from this document must include Simplified BSD License text as described in Section 4.e of the [Trust Legal Provisions](#) and are provided without warranty as described in the Simplified BSD License.

Table of Contents

- [1.](#) Introduction.....[2](#)
- [1.1.](#) Deployment Scenarios.....[3](#)
- [1.2.](#) Terminology.....[6](#)
- [1.3.](#) Tree diagram.....[6](#)
- [2.](#) Definitions.....[7](#)
- [3.](#) L1SM YANG Model (Tree Structure).....[7](#)
- [4.](#) L1SM YANG Code.....[8](#)
- [5.](#) Security Considerations.....[21](#)
- [6.](#) IANA Considerations.....[21](#)
- [7.](#) Acknowledgments.....[22](#)
- [8.](#) References.....[23](#)
- [8.1.](#) Normative References.....[23](#)
- [8.2.](#) Informative References.....[23](#)
- [9.](#) Contributors.....[23](#)
- Authors' Addresses.....[23](#)

[1.](#) Introduction

This document provides a YANG data model for L1VPN Connectivity Service Model (L1CSM). The intent of this document is to provide a transport service model exploiting Yang data model, which can be utilized by a client network controller to initiate a service request connectivity request as well as retrieving service states toward a transport network controller communicating with the client controller via a Netconf/Restconf interface.

[RFC4847] provides a framework and service level requirements for Layer 1 Virtual Private Networks (L1VPNs). It classifies service models as management-based service model, signaling-based service model (Basic Mode) and signaling and routing service model (Enhanced Mode).

In the management-based service model, customer management systems and provider management systems communicate with each other. Customer management systems access provider management systems to request layer 1 connection setup/deletion between a pair of CEs. Customer management systems may obtain additional information, such as resource availability information and monitoring information, from provider management systems. There is no control message exchange between a CE and PE.

In the signaling-based service model (Basic Model), the CE-PE interface's functional repertoire is limited to path setup signaling only. In the Signaling and routing service model (Enhanced Mode), the CE-PE interface provides the signaling capabilities as in the Basic Mode, plus permits limited exchange of information between the control planes of the provider and the customer to help such functions as discovery of customer network routing information (i.e., reachability or TE information in remote customer sites), or parameters of the part of the provider's network dedicated to the customer.

The primary focus of this document is to describe L1CS YANG model required for the instantiation of point-to-point L1VPN service. A L1VPN is a service offered by a core layer 1 network to provide layer 1 connectivity between two or more customer sites where the customer has some control over the establishment and type of the connectivity.

The model presented in [Section 3](#) is in consistent with [\[MEF-L1CS\]](#).

### [1.1](#). Deployment Scenarios

Figure 1 depicts a deployment scenario of the L1VPN SDN control-based service model for an external customer instantiating L1 point-to-point connectivity to the provider.

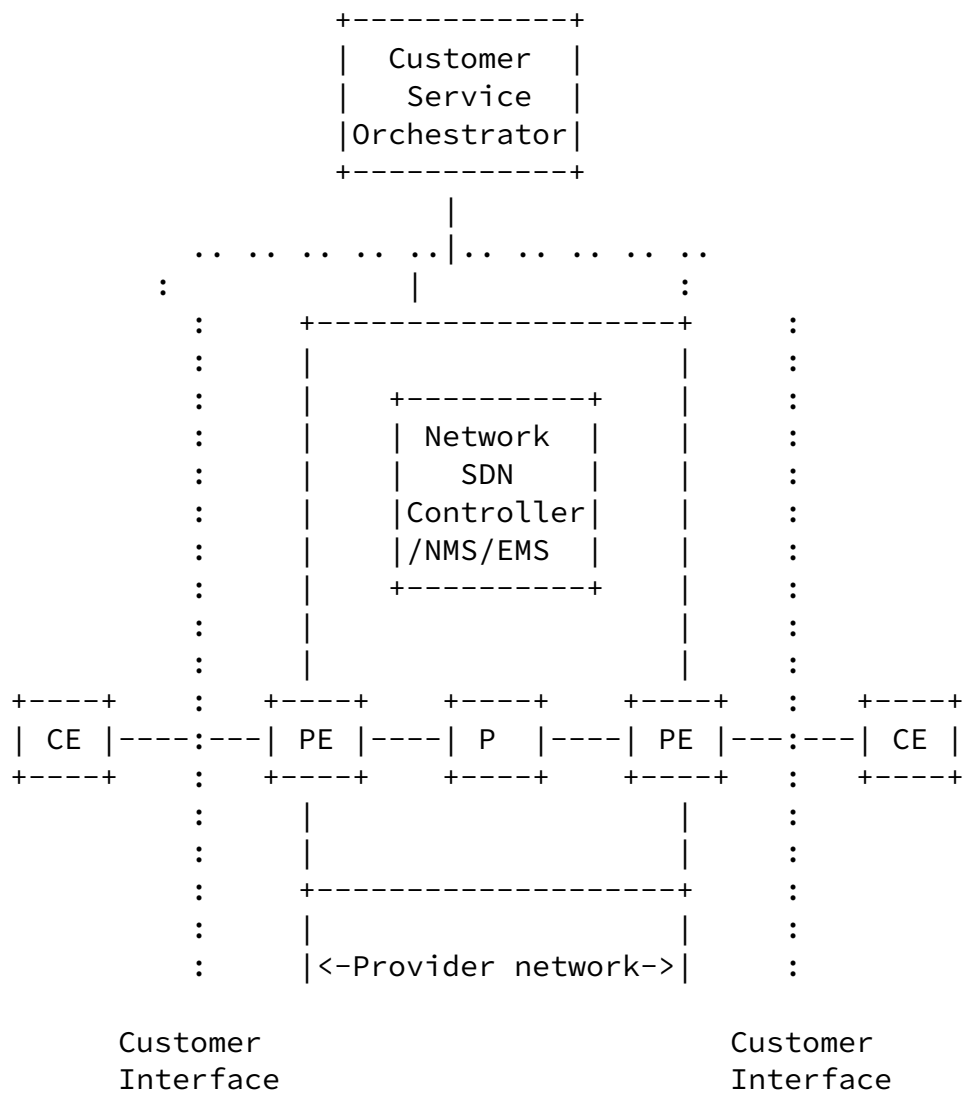
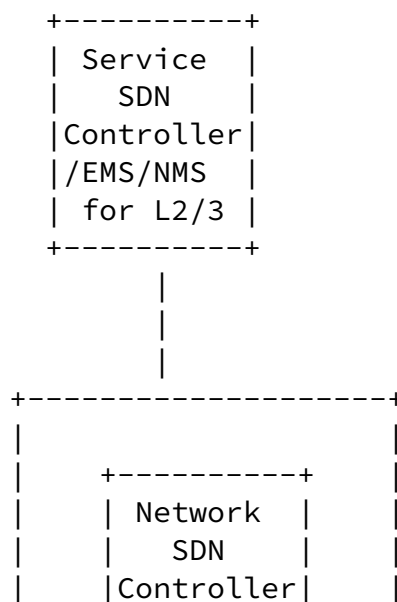


Figure 1: L1VPN SDN Controller/EMS/NMS-Based Service Model: External Customer

With this scenario, the customer service orchestrator interfaces with the network SDN controller of the provider using Customer Service Model as defined in [[Service-Yang](#)].

Figure 2 depicts another deployment scenario for internal customer (e.g., higher-layer service management department(s)) interfacing the layer 1 transport network department. With this scenario, a multi-service backbone is characterized such that each service department of a provider (e.g., L2/3 services) that receives the same provider's L1VPN service provides a different kind of higher-layer service. The customer receiving the L1VPN service (i.e., each service department) can offer its own services, whose payloads can be any layer (e.g., ATM, IP, TDM). The layer 1 transport network and each service network belong to the same organization, but may be

managed separately. The Service SDN Controller is the control/management entity owned by higher-layer service department (e.g., L2/3 VPN) whereas the Network SDN Controller is the control/management entity responsible for Layer 1 connectivity service. The CE's in Figure 2 are L2/3 devices that interface with L1 PE devices.



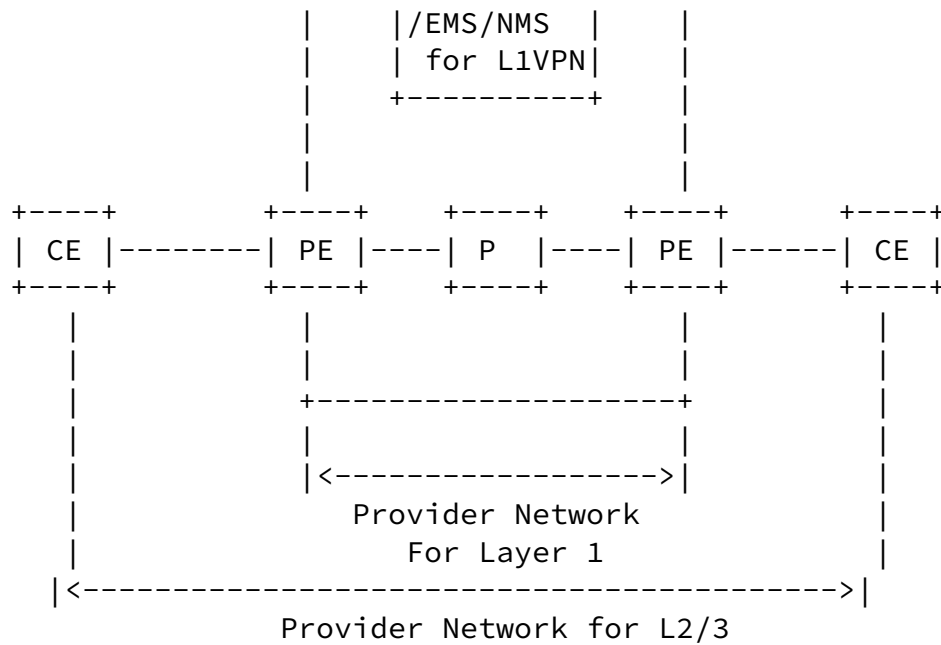


Figure 2: L1VPN SDN Controller/EMS/NMS-Based Service Model: Internal Customer

The benefit is that the same layer 1 transport network resources are shared by multiple services. A large capacity backbone network (data plane) can be built economically by having the resources shared by multiple services usually with flexibility to modify topologies, while separating the control functions for each service department. Thus, each customer can select a specific set of features that are needed to provide their own service [RFC4847].

## 1.2. Terminology

Refer to [RFC4847] and [RFC5253] for the key terms used in this document.

The following terms are defined in [RFC6241] and are not redefined here:

- o client
- o configuration data

- o server
- o state data

The following terms are defined in [[RFC6020](#)] and are not redefined here:

- o augment
- o data model
- o data node

The terminology for describing YANG data models is found in [[RFC6020](#)].

### [1.3](#). Tree diagram

A simplified graphical representation of the data model is presented in Section x.

The meaning of the symbols in these diagrams is as follows:

- o Brackets "[" and "]" enclose list keys.

- o Curly braces "{" and "}" contain names of optional features that make the corresponding node conditional.
- o Abbreviations before data node names: "rw" means configuration (read-write), and "ro" state data (read-only).
- o Symbols after data node names: "?" means an optional node and "\*" denotes a "list" or "leaf-list".
- o Parentheses enclose choice and case nodes, and case nodes are also marked with a colon (":").
- o Ellipsis ("...") stands for contents of subtrees that are not shown.

## [2. Definitions](#)

TDB

## [3. L1SM YANG Model \(Tree Structure\)](#)

```
module: ietf-l1csm
  +--rw l1cs
    +--rw access
      | +--rw uni-list* [UNI-ID]
      |   +--rw UNI-ID          string
      |   +--rw protocol?      identityref
      |   +--rw coding?        identityref
      |   +--rw optical_interface? identityref
    +--rw service
      +--rw service-list* [subscriber-l1vc-id]
      +--rw subscriber-l1vc-id  string
      +--rw service-config
        +--rw subscriber-l1vc-id?      string
        +--rw subscriber-l1vc-ep-id-1?  string
        +--rw subscriber-l1vc-ep-id-2?  string
        +--rw subscriber-l1vc-ep-UNI-1? -> /l1cs/access/uni-
list/UNI-ID
        +--rw subscriber-l1vc-ep-UNI-2? -> /l1cs/access/uni-
list/UNI-ID
        +--rw time-start?              yang:date-and-time
        +--rw time-interval?          int64
        +--rw performance-metric?     identityref
```

## [4. L1SM YANG Code](#)

The YANG code is as follows:

```
<CODE BEGINS> file "ietf-l1csm@2018-06-20.yang"
```

```
module ietf-l1csm {
  yang-version 1.1;
  namespace "urn:ietf:params:xml:ns:yang:ietf-l1csm";
```



```

prefix "l1csm";

import ietf-yang-types {
    prefix "yang";
}

import ietf-l1-mef-service-types {
    prefix "l1-st";
}

organization
    "Internet Engineering Task Force (IETF) CCAMP WG";

contact

    "Editor: G. Fioccola (giuseppe.fioccola@telecomitalia.it)
    Editor: K. Lee (kwangkoog.lee@kt.com)
    Editor: Y. Lee (leeyoung@huawei.com)
    Editor: D. Dhody (dhruv.ietf@gmail.com)
    Editor: O. Gonzalez de-Dio(oscar.gonzalezdedios@telefonica.com)
    Editor: D. Ceccarelli (daniele.ceccarelli@ericsson.com)";

description
    "this module describes Layer 1 connectivity service
    model for subscriber Layer 1 Connectivity Services
    and Attributes";

revision 2018-06-20 {
    description
        "updated version to incorporate MEF
comments";
        reference "to add the draft name";

Fioccola, et al.           Expires December 2018           [Page 8]
-----

Internet-Draft           L1CSM YANG Model           June 2018

    }

revision 2018-04-11 {
    description
        "Initial revision.";
        reference "to add the draft name";
}

```

```

grouping protocol-coding-optical_interface {
    description
        "describes <p,c,o>";
    leaf protocol {
        type identityref {
            base "l1-st:protocol-type";
        }

        description "List of physical layer L1VC
client protocol";
    }

    leaf coding {
        type identityref {
            base "l1-st:coding-func";
        }

        description "coding function";
    }

    leaf optical_interface {
        type identityref {
            base "l1-st:optical-interface-func";
        }

        description "optical-interface-function";
    }
}

```

```

grouping uni-attributes {
    description
        "uni-service-attributes";

    leaf UNI-ID {
        type string;
    }
}

```

```

        description "the UNI id of UNI
Service Attributes";
    }

    uses protocol-coding-optical_interface;

```

```

    }

    grouping subscriber-l1vc-sls-service-attribute {
        description
            "The value of the Subscriber L1VC SLS
(Service Level Specification) Service Attribute expressed in a 3-tuple of the
form.";

        leaf time-start {
            type yang:date-and-time;
            description "a time that represent
the date and time for the start of the SLS";
        }

        leaf time-interval {
            type int64;
            units seconds;
            description "a time interval
(e.g., 1 month) that is used in conjunction wuth time-start to specify a
contiguous sequence of time intervals T for determining when performance
objectives are met.";
        }

        leaf performance-metric {
            type identityref {
                base "l1-st:performance-"
                    +"metriclist";
            }
            description "list of performance
metric";
        }
    }

    grouping subscriber-l1vc-service-attributes {
        description
            "subscriber layer 1 connection service
service level";

```

```

    leaf subscriber-l1vc-id {
        type string;

```

```

        description "subscriber L1VC identifier";
    }

    leaf subscriber-l1vc-ep-id-1 {
        type string;
        description "subscriber end point ID";
    }

    leaf subscriber-l1vc-ep-id-2 {
        type string;
        description "subscriber end point ID";
    }

    leaf subscriber-l1vc-ep-UNI-1 {
        type leafref {
            path "/l1cs/access/uni-list/UNI-ID";
        }
        description "this is one end of subscriber L1VC end
point ID value = UNI-1";
    }

    leaf subscriber-l1vc-ep-UNI-2 {
        type leafref {
            path "/l1cs/access/uni-list/UNI-ID";
        }
        description "this is the other end of subscriber
L1VC end point ID value = UNI-2";
    }

    uses subscriber-l1vc-sls-service-attribute;
}

grouping subscriber-attributes {
    description
        "subscriber attributes";

    uses subscriber-l1vc-service-attributes;
}

```

```

    container l1cs {
        description
            "serves as a top-level container for a list of layer 1
connection services (l1cs)";

        container access {
            description "UNI configurations";

            list uni-list {
                key "UNI-ID";
                description "uni identifier";
                uses uni-attributes {
                    description "UNI attributes
information";
                }
            }
        }

        container service {
            description "L1VC service";
            list service-list {
                key "subscriber-l1vc-id";
                description
                    "an unique identifier of a service";

                leaf subscriber-l1vc-id {
                    type string;
                    description "a unique service identifier for
L1VC.";
                }
                container service-config {
                    description "service-config container";

                    uses subscriber-attributes;

                } //end of service-config
            } //end of service list
        } //end of service container
    }

```

```
    }//service top container  
}
```

```
<CODE ENDS>
```

```
<CODE BEGINS> file "ietf-l1-mef-service-types@2018-06-20.yang"
```

```
module ietf-l1-mef-service-types {  
  namespace "urn:ietf:params:xml:ns:yang:ietf-l1-mef-service-types";  
  prefix "l1-st";  
  
  organization  
    "IETF CCAMP Working Group";  
  contact  
    "WG Web: <http://tools.ietf.org/wg/ccamp/>  
    WG List: <mailto:ccamp@ietf.org>  
  
    Editor: G. Fioccola(giuseppe.fioccola@telecomitalia.it)  
    Editor: K. Lee (kwangkoog.lee@kt.com)  
    Editor: Y. Lee (leeyoung@huawei.com)  
    Editor: D. Dhody (dhruv.ietf@gmail.com)  
    Editor: O. Gonzalez de-Dios(oscar.gonzalezdedios@telefonica.com)  
    Editor: D. Ceccarelli(daniele.ceccarelli@ericsson.com);  
  
  description  
    "This module defines L1 service types based on MEF subscriber Layer 1  
Connectivity Service Attribute.";  
  
  revision "2018-06-20" {  
    description  
      "Revision 0.2";  
    reference "TBD";  
  }  
  
  revision "2018-04-11" {  
    description  
      "Revision 0.1";  
    reference "TBD";  
  }  
  
  identity protocol-type {  
    description  
      "base identity from which client protocol type is derived.";  
  }  
}
```

Internet-Draft

L1CSM YANG Model

June 2018

```
    }  
    identity aGigE {  
        base "protocol-type";  
        description  
            "GigE protocol type";  
    }  
    identity a10GigE_WAN {  
        base "protocol-type";  
        description  
            "10GigE-WAN protocol type";  
    }  
    identity a10GigE_LAN {  
        base "protocol-type";  
        description  
            "10GigE-LAN protocol type";  
    }  
    identity a40GigE {  
        base "protocol-type";  
        description  
            "40GigE protocol type";  
    }  
    identity a100GigE {  
        base "protocol-type";  
        description  
            "100GigE protocol type";  
    }  
    identity FC-100 {  
        base "protocol-type";  
        description  
            "Fiber Channel - 100 protocol type";  
    }  
    identity FC-200 {  
        base "protocol-type";  
        description  
            "Fiber Channel - 200 protocol type";  
    }  
}
```

```
identity FC-400 {
```

```
    base "protocol-type";
    description
        "Fiber Channel - 400 protocol type";
}

identity FC-800 {
    base "protocol-type";
    description
        "Fiber Channel - 800 protocol type";
}

identity FC-1200 {
    base "protocol-type";
    description
        "Fiber Channel - 1200 protocol type";
}

identity FC-1600 {
    base "protocol-type";
    description
        "Fiber Channel - 1600 protocol type";
}

identity FC-3200 {
    base "protocol-type";
    description
        "Fiber Channel - 3200 protocol type";
}

identity STM-1 {
    base "protocol-type";
    description
        "SDH STM-1 protocol type";
}

identity STM-4 {
    base "protocol-type";
    description
        "SDH STM-4 protocol type";
}
```



```
identity STM-16 {
    base "protocol-type";
    description
        "SDH STM-16 protocol type";
}
```

```
}

identity STM-64 {
    base "protocol-type";
    description
        "SDH STM-64 protocol type";
}

identity STM-256 {
    base "protocol-type";
    description
        "SDH STM-256 protocol type";
}

identity OC-3 {
    base "protocol-type";
    description
        "SONET OC-3 protocol type";
}

identity OC-12 {
    base "protocol-type";
    description
        "SONET OC-12 protocol type";
}

identity OC-48 {
    base "protocol-type";
    description
        "SONET OC-48 protocol type";
}

identity OC-192 {
    base "protocol-type";
    description
        "SONET OC-192 protocol type";
}
```

```
identity OC-768 {
    base "protocol-type";
    description
        "SONET OC-768 protocol type";
}
```

```
identity coding-func {
```

Fioccola, et al.

Expires December 2018

[Page 16]

---

Internet-Draft

L1CSM YANG Model

June 2018

```
description
    "base identity from which coding func is derived.";
}
```

```
identity a1000X-PCS-36 {
    base "coding-func";
    description
        "PCS clause 36 coding function that
corresponds to 1000BASE-X";
}
```

```
identity a10GW-PCS-49-WIS-50 {
    base "coding-func";
    description
        "PCS clause 49 and WIS clause 50 coding func
that corresponds to 10GBASE-W (WAN PHY)";
}
```

```
identity a10GR-PCS-49 {
    base "coding-func";
    description
        "PCS clause 49 coding function that
corresponds to 10GBASE-R (LAN PHY)";
}
```

```
identity a40GR-PCS-82 {
    base "coding-func";
    description
        "PCS clause 82 coding function that
corresponds to 40GBASE-R";
}
```

```
identity a100GR-PCS-82 {
    base "coding-func";
```

```

        description
            "PCS clause 82 coding function that
corresponds to 100GBASE-R";
    }

    /* coding func needs to expand for Fiber Channel, SONET, SDH */

    identity optical-interface-func {
        description
            "base identity from which optical-interface-function is derived.";

```

Fioccola, et al.

Expires December 2018

[Page 17]

Internet-Draft

L1CSM YANG Model

June 2018

```

    }

    identity SX-PMD-clause-38 {
        base "optical-interface-func";
        description
            "SX-PMD-clause-38 Optical Interface function
for 1000BASE-X PCS-36";
    }

    identity LX-PMD-clause-38 {
        base "optical-interface-func";
        description
            "LX-PMD-clause-38 Optical Interface function
for 1000BASE-X PCS-36";
    }

    identity LX10-PMD-clause-59 {
        base "optical-interface-func";
        description
            "LX10-PMD-clause-59 Optical Interface
function for 1000BASE-X PCS-36";
    }

    identity BX10-PMD-clause-59 {
        base "optical-interface-func";
        description
            "BX10-PMD-clause-59 Optical Interface
function for 1000BASE-X PCS-36";
    }

    identity LW-PMD-clause-52 {

```

```
        base "optical-interface-func";
        description
            "LW-PMD-clause-52 Optical Interface function
for 10GBASE-W PCS-49-WIS-50";
    }
```

```
        identity EW-PMD-clause-52 {
            base "optical-interface-func";
            description
                "EW-PMD-clause-52 Optical Interface function
for 10GBASE-W PCS-49-WIS-50";
        }
```

```
        identity LR-PMD-clause-52 {
```

Fioccola, et al.

Expires December 2018

[Page 18]

---

Internet-Draft

L1CSM YANG Model

June 2018

```
        base "optical-interface-func";
        description
            "LR-PMD-clause-52 Optical Interface function
for 10GBASE-R PCS-49";
    }
```

```
        identity ER-PMD-clause-52 {
            base "optical-interface-func";
            description
                "ER-PMD-clause-52 Optical Interface function
for 10GBASE-R PCS-49";
        }
```

```
        identity LR4-PMD-clause-87 {
            base "optical-interface-func";
            description
                "LR4-PMD-clause-87 Optical Interface function
for 40GBASE-R PCS-82";
        }
```

```
        identity ER4-PMD-clause-87 {
            base "optical-interface-func";
            description
                "ER4-PMD-clause-87 Optical Interface function
for 40GBASE-R PCS-82";
        }
```

```
        identity FR-PMD-clause-89 {
```

```

        base "optical-interface-func";
        description
            "FR-PMD-clause-89 Optical Interface function
for 40GBASE-R PCS-82";
    }

    identity LR4-PMD-clause-88 {
        base "optical-interface-func";
        description
            "LR4-PMD-clause-88 Optical Interface function
for 100GBASE-R PCS-82";
    }

    identity ER4-PMD-clause-88 {
        base "optical-interface-func";
        description

```

```

            "ER4-PMD-clause-88 Optical Interface function
for 100GBASE-R PCS-82";
    }

```

/\* optical interface func needs to expand for Fiber Channel, SONET  
and SDH \*/

```

identity performance-metriclist {
    description "list of performance metric";
}

identity One-way-Delay {
    base "performance-metriclist";
    description "one-way-delay";
}

identity One-way-Errored-Second {
    base "performance-metriclist";
    description "one-way-errored-second";
}

identity One-way-Severely-Errored-Second {
    base "performance-metriclist";
    description "one-way-severely-errored-second";
}

```

```
    }

    identity One-way-Unavailable-Second {
        base "performance-metriclist";
        description "one-way-unavailable-second";
    }

    identity One-way-Availability {
        base "performance-metriclist";
        description "one-way-availability";
    }

}
```

<CODE ENDS>

## 5. Security Considerations

The configuration, state, and action data defined in this document are designed to be accessed via a management protocol with a secure transport layer, such as NETCONF [[RFC6241](#)]. The NETCONF access control model [[RFC6536](#)] provides the means to restrict access for particular NETCONF users to a preconfigured subset of all available NETCONF protocol operations and content.

A number of configuration data nodes defined in this document are writable/deletable (i.e., "config true") These data nodes may be considered sensitive or vulnerable in some network environments.

## 6. IANA Considerations

This document registers the following namespace URIs in the IETF XML registry [[RFC3688](#)]:

-----  
URI: urn:ietf:params:xml:ns:yang:ietf-l1csm  
Registrant Contact: The IESG.

XML: N/A, the requested URI is an XML namespace.

---

---

URI: urn:ietf:params:xml:ns:yang:ietf-l1-mef-service-types  
Registrant Contact: The IESG.  
XML: N/A, the requested URI is an XML namespace.

---

This document registers the following YANG modules in the YANG Module

Names registry [[RFC7950](#)]:

---

name: ietf-l1csm  
namespace: urn:ietf:params:xml:ns:yang:ietf-l1csm  
reference: RFC XXXX (TDB)

---

Fioccola, et al.

Expires December 2018

[Page 21]

---

Internet-Draft

L1CSM YANG Model

June 2018

---

name: ietf-l1-mef-service-types  
namespace: urn:ietf:params:xml:ns:yang:ietf-l1-mef-service-types  
reference: RFC XXXX (TDB)

---

## [7](#). Acknowledgments

The authors would like to thank Italo Busi for his helpful comments and valuable contributions.

## [8](#). References

### 8.1. Normative References

[MEF-L1CS] "Subscriber Layer 1 Connectivity Service Attributes",  
Working Draft (WD) v0.09 December 13, 2017.

### 8.2. Informative References

[RFC4847] T. Takeda (Editor), "Framework and Requirements for Layer 1 Virtual Private Networks", [RFC 4847](#), April 2007.

[RFC5253] T. Takeda, "Applicability Statement for Layer 1 Virtual Private Network (L1VPN) Basic Mode", [RFC 5253](#), July 2008.



[Service-Yang] Q. Wu, et al, "Service Models Explained", [draft-wu-opsawg-service-model-explained](#), Work in progress.

## 9. Contributors

### Contributor's Addresses

I. Busi  
Huawei  
Email: Italo.Busi@huawei.com

### Authors' Addresses

G. Fioccola (Editor)  
Telecom Italia  
Email: giuseppe.fioccola@telecomitalia.it

K. Lee  
KT  
Email: kwangkoog.lee@kt.com

Y. Lee (Editor)

Fioccola, et al. Expires December 2018 [Page 23]

---

Internet-Draft L1CSM YANG Model June 2018

Huawei  
Email: leeyoung@huawei.com

D. Dhody  
Huawei  
Email: dhruv.ietf@gmail.com

O. Gonzalez de Dios  
Telefonica  
Email: oscar.gonzalezdedios@telefonica.com

D. Ceccarelli  
Ericsson  
Email: danielle.ceccarelli@ericsson.com

