

Network Working Group
Internet-Draft
Expires: February 2, 2006

K. Chowdhury
Starent Networks
P. Yegani
Cisco Systems
L. Madour
Ericsson
August 1, 2005

DHCP Options for Broadcast and Multicast Control Servers
draft-ietf-dhc-bcmc-options-03.txt

Status of this Memo

By submitting this Internet-Draft, each author represents that any applicable patent or other IPR claims of which he or she is aware have been or will be disclosed, and any of which he or she becomes aware will be disclosed, in accordance with [Section 6 of BCP 79](#).

Internet-Drafts are working documents of the Internet Engineering Task Force (IETF), its areas, and its working groups. Note that other groups may also distribute working documents as Internet-Drafts.

Internet-Drafts are draft documents valid for a maximum of six months and may be updated, replaced, or obsoleted by other documents at any time. It is inappropriate to use Internet-Drafts as reference material or to cite them other than as "work in progress."

The list of current Internet-Drafts can be accessed at <http://www.ietf.org/ietf/lid-abstracts.txt>.

The list of Internet-Draft Shadow Directories can be accessed at <http://www.ietf.org/shadow.html>.

This Internet-Draft will expire on February 2, 2006.

Copyright Notice

Copyright (C) The Internet Society (2005).

Abstract

This document defines new options to discover the Broadcast and Multicast Service (BCMCS) controller in an IP network. BCMCS is being developed for 3rd generation (3G) cellular telephone networks. Users of the service interact with a controller in the network via the Mobile Node (MN) to derive information required to receive

Internet-Draft

August 2005

broadcast and multicast service. Dynamic Host Configuration Protocol can be used to configure the MN to access a particular controller. This document defines the related options and option codes.

Table of Contents

1.	Motivation	3
2.	Overview of the 3GPP2 BCMCS Network	4
3.	Terminology	5
4.	Broadcast & Multicast Service Controller Options	6
4.1	Broadcast & Multicast Service Controller Domain Name list for DHCPv4	6
4.2	Broadcast & Multicast Service Controller Domain Name List Option for DHCPv6	7
4.3	Broadcast & Multicast Service Controller IPv4 address option for DHCPv4	7
4.4	Broadcast & Multicast Service Controller IPv6 Address Option for DHCPv6	8
4.5	Consideration for Client Operation	8
4.6	Consideration for Server Operation	8
5.	Security Considerations	10
6.	IANA Considerations	11
7.	Acknowledgements	12
8.	Normative References	12
	Authors' Addresses	12
	Intellectual Property and Copyright Statements	14

Internet-Draft

August 2005

1. Motivation

Dynamic Host Configuration Protocol [[RFC2131](#)] and [[RFC3315](#)] can be used to configure various non-IP address type of parameters. These parameters are required for normal operation of various services that are offered over an IP network.

Broadcast and multicast service (BCMCS) is one such service that is being standardized in various mobile wireless standard bodies such as 3GPP2, OMA, and 3GPP. A description of the BCMCS as defined in 3GPP2 can be found in [[BCMCS](#)].

While DHCP already defines many options for device configuration, no option exists for configuring a mobile device to use BCMCS. This memo defines extensions for both DHCPv4 and DHCPv6 so that DHCP can be used to provide necessary configuration information to a mobile device about the BCMCS controllers.

DHCP is being used in 3GPP2, to assist mobile nodes (MN) with the discovery of the BCMCS Controller in a mobile operator's IP network. The BCMCS includes a controller component that is responsible for managing the service via interaction with the MN and other network entities. In this document we will call this a BCMCS controller.

An overview of the 3GPP2 BCMCS architecture is given in the next section. It provides enough information to understand the basics of the 3GPP2 BCMCS operation. Readers are encouraged to find a more detailed description in [[BCMCS](#)].

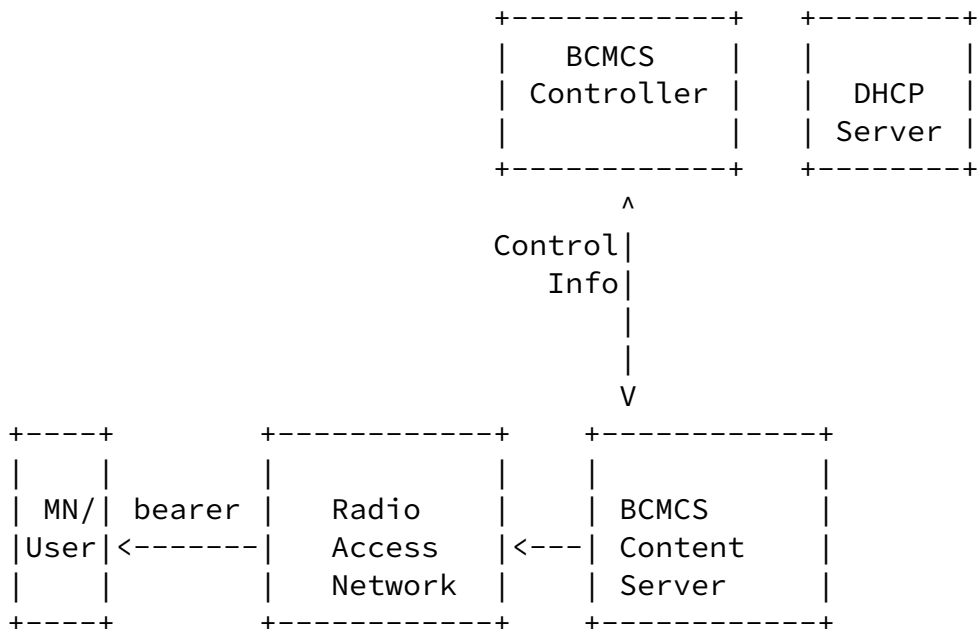
As described in [[BCMCS](#)], the MNs are required to know the IPv4 or the IPv6 address of the BCMCS controller entity so that they can download all the necessary information about a desired broadcast and/or a multicast program. In a roaming environment static configuration of the BCMCS controller's IP address becomes unrealistic. Therefore, DHCP is considered to be a method to dynamically configure the MNS with the IP address or the fully qualified domain name of the BCMCS

controller in the 3G cellular telephone networks.

In order to allow the MNs to discover the BCMCS controllers, the MNs request the appropriate option codes from the DHCP server using Parameter Request List option. The DHCP servers need to return the corresponding configuration options that carry either BCMCS controller's IP address or fully qualified domain name based on configuration. This document defines the necessary options and option codes.

2. Overview of the 3GPP2 BCMCS Network

The Broadcast and Multicast Service architecture in a 3G cellular telephone network such as 3GPP2 has the following model:



Note that this figure is shown here for a basic understanding of how Broadcast and Multicast service works in a 3G cellular telephone network. The network elements except MN/user and the DHCP server are

not relevant to the text in this document.

The MN interacts with the BCMCS Controller to request broadcast/multicast program information from the network (e.g., scheduled time, multicast IP address, port numbers). The MN may also be authenticated by the BCMCS Controller while downloading the relevant program security related information (such as encryption key). These interactions may happen via HTTP and XML as defined in [\[BCMCS\]](#). There may be more than one BCMCS controller in the network. The MN should discover the appropriate BCMCS controller to request the relevant program information. For details of Broadcast and Multicast Service operation in 3GPP2, see [\[BCMCS\]](#).

[3.](#) Terminology

The keywords "MUST", "MUST NOT", "REQUIRED", "SHALL", "SHALL NOT", "SHOULD", "SHOULD NOT", "RECOMMENDED", "MAY", and "OPTIONAL" in this document are to be interpreted as described in [RFC 2119](#).

[4.](#) Broadcast & Multicast Service Controller Options

This section defines the configuration option for the BCMCS controller of the broadcast and multicast service.

[4.1](#) Broadcast & Multicast Service Controller Domain Name list for DHCPv4

The general format of the BCMCS Controller Domain list option for DHCPv4 is as follows:

```
Code Len FQDN(s) of BCMCS Controller
+-----+-----+-----+-----+-----+-----+-----+
```

```

| TBD1|  n  |  s1  |  s2  |  s3  |  s4  |  s5  |  ...
+-----+-----+-----+-----+-----+-----+-----+

```

The option MAY contain multiple domain names, but these domain names SHOULD be used to construct SRV lookups as specified in [BCMCS], rather than querying for different A records. The client can try any or ALL of the domain names to construct the SRV lookups. The list of domain names MAY contain the domain name of the access provider and it's partner networks that also offer broadcast and multicast service.

If the length of the domain list exceeds the maximum permissible length within a single option (254 octets), then the domain list MUST be represented in the DHCPv4 message as specified in [RFC3396] . An example case when two controller domain names, example.com and example.net are returned will be:

```

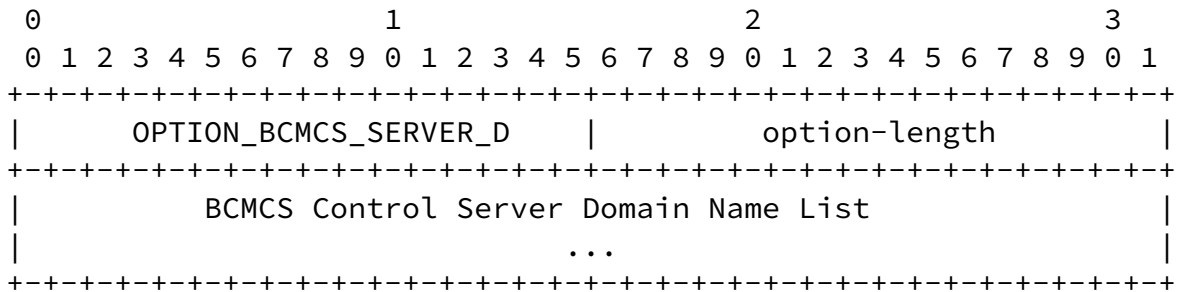
+-----+-----+-----+-----+-----+-----+-----+-----+-----+
|TBD1| 26 | 7 | 'e' | 'x' | 'a' | 'm' | 'p' | 'l' | 'e' | 3 |
+-----+-----+-----+-----+-----+-----+-----+-----+-----+
|'c' | 'o' | 'm' | 0 | 7 | 'e' | 'x' | 'a' | 'm' | 'p' | 'l' |
+-----+-----+-----+-----+-----+-----+-----+-----+-----+
|'e' | 3 | 'n' | 'e' | 't' | 0 |
+-----+-----+-----+-----+-----+-----+

```

4.2 Broadcast & Multicast Service Controller Domain Name List Option for DHCPv6

The semantics and content of the DHCPv6 encoding of this option is exactly the same as the encoding described in the previous section, other than necessary differences between the way options are encoded in DHCPv4 and DHCPv6.

Specifically, the DHCPv6 option for the BCMCS Control Server Domain Names has the following format:



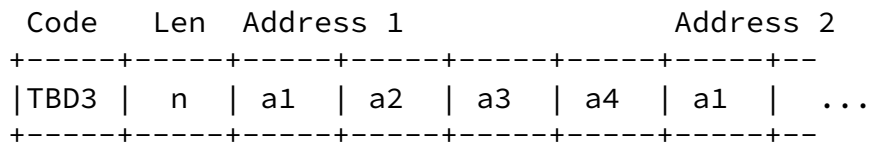
option-code: OPTION_BCMCS_SERVER_D (TBD2).

option-length: Length of the 'BCMCS Control Server Domain Name List' field in octets; variable.

BCMCS Control Server Domain Name List: Identical content as in [Section 4.1](#) (except the Code and Len fields).

[4.3](#) Broadcast & Multicast Service Controller IPv4 address option for DHCPv4

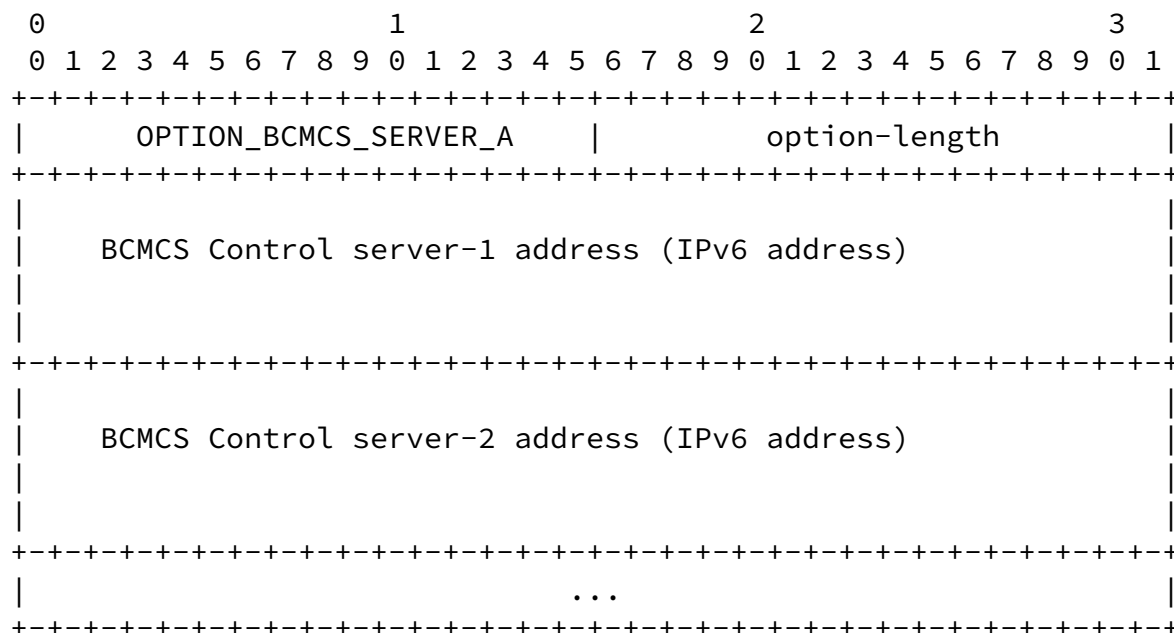
The Length byte (Len) is followed by a list of IPv4 addresses indicating BCMCS controller IPv4 addresses. The BCMCS controllers MUST be listed in order of preference. Its minimum length is 4, and the length MUST be a multiple of 4. The DHCPv4 option for this encoding has the following format:



[4.4](#) Broadcast & Multicast Service Controller IPv6 Address Option for

DHCPv6

This DHCPv6 option MUST carry one or more 128-bit IPv6 address(es) of the BCMCS Controller in a operator's network.



option-code: OPTION_BCMCS_SERVER_A (TBD4).

option-length: Length of the 'BCMCS Control Server IPv6 address' field in octets; variable.

[4.5](#) Consideration for Client Operation

For DHCPv6, a client MAY request either or both of the BCMCS Controller Domain Name List and the IPv6 Address options in the Options Request Option (ORO) as described in [[RFC3315](#)].

If a client receives both the BCMCS Controller Domain Name List and IPv6 Address options, it SHOULD use the Domain Name List option. In this case, the client SHOULD NOT use the BCMCS Controller IPv6 Address option unless the servers in the BCMCS Controller Domain Name List can not be resolved or reached.

[4.6](#) Consideration for Server Operation

A server MAY send a client either the BCMCS Controller Domain Name List Option or the BCMCS Controller IPv6 Address/IPv4 Address options if the server is configured to do so.

In case of DHCPv6, If a client requests both options and the server is configured with both types of information, the server MAY send the client only one of these options if it is configured to do so. In this case the server SHOULD send the BCMCS Controller Domain Name List option.

A server configured with the BCMCS Controller IPv6 Address information MUST send a client the BCMCS Controller IPv6 Address option if that client requested only the BCMCS Controller IPv6 address option and not the BCMCS Controller Domain Name List option in the ORO [[RFC3315](#)].

If a client requests for the BCMCS Controller IPv6 option and the Server is configured only with the Domain Names, the Server MUST return the Domain Names List and vice versa.

The DNS name(s) MUST be concatenated and encoded using the technique described in [section 3.3](#) of "Domain Names - Implementation And Specification" [[RFC1035](#)]. DNS name compression MUST NOT be used.

The following table summarizes the server's response for DHCPv6:

Client sends in ORO	Domain Name List	IPv6 Address List
-----	-----	-----
Neither option	SHOULD	MAY
Domain Name List	MUST	MAY
IPv6 Address	MAY	MUST
Both options	SHOULD	MAY

Internet-Draft

August 2005

5. Security Considerations

This document does not introduce any new security concerns beyond those specified in the basic DHCP [[RFC2131](#)] and DHCPv6 [[RFC3315](#)] specifications. In the absence of message integrity protection for these options, an attacker could modify the option values to frustrate or divert requests for broadcast service.

Internet-Draft

August 2005

6. IANA Considerations

The following option codes for Broadcast & Multicast Service Controller option must be assigned by IANA:

1. The BCMCS Controller Domain Name list ([section 4.1](#)) has been assigned a value of TBD1 from the DHCPv4 option space.
2. The BCMCS Controller Domain Name list ([section 4.2](#)) has been assigned a value of TBD2 from the DHCPv6 option space, and a name of OPTION_BCMCS_SERVER_D.
3. The BCMCS Controller IPv4 address option ([section 4.3](#)) has been assigned a value of TBD3 from the DHCPv4 option space.
4. The BCMCS Controller IPv6 address option ([section 4.4](#)) has been assigned a value of TBD4 from the DHCPv6 option space, and a name of OPTION_BCMCS_SERVER_A.

Internet-Draft

August 2005

7. Acknowledgements

Thanks to the following individuals for their review and constructive comments during the development of this document:

AC Mahendran, Jun Wang, Raymond Hsu, Jayshree Bharatia, Ralph Droms, Ted Lemon, Margaret Wasserman, Thomas Narten, Elwyn Davies, Pekka Savola, and Bert Wijnen.

8. Normative References

- [BCMCS] 3GPP2, www.3gpp2.org,
<ftp://ftp.3gpp2.org/TSGX/Projects/X.P0022> 2ndV&V.zip,
"X.S0022, Broadcast and Multicast Service in cdma2000
Wireless IP Network. (pending publication)",
December 2004.
- [RFC1035] Mockapetris, P., "Domain names - implementation and
specification", STD 13, [RFC 1035](#), November 1987.
- [RFC2119] Bradner, S., "Key words for use in RFCs to Indicate
Requirement Levels", [BCP 14](#), [RFC 2119](#), March 1997.
- [RFC2131] Droms, R., "Dynamic Host Configuration Protocol",
[RFC 2131](#), March 1997.

[RFC3315] Droms, R., Bound, J., Volz, B., Lemon, T., Perkins, C., and M. Carney, "Dynamic Host Configuration Protocol for IPv6 (DHCPv6)", [RFC 3315](#), July 2003.

[RFC3396] Lemon, T. and S. Cheshire, "Encoding Long Options in the Dynamic Host Configuration Protocol (DHCPv4)", [RFC 3396](#), November 2002.

Authors' Addresses

Kuntal Chowdhury
Starent Networks
30 International Place
Tewksbury, MA 01876
US

Phone: +1 214-550-1416
Email: kchowdhury@starentnetworks.com

Chowdhury, et al.

Expires February 2, 2006

[Page 12]

Internet-Draft

August 2005

Parviz Yegani
Cisco Systems
3625 Cisco Way
San Jose, CA 95134
US

Phone: +1 408-832-5729
Email: pyegani@cisco.com

Lila Madour
Ericsson
8400, Decarie Blvd
Town of Mount Royal, Quebec H4P 2N2
CANADA

Phone: +1 514-345-7900
Email: Lila.Madour@ericsson.com

Intellectual Property Statement

The IETF takes no position regarding the validity or scope of any Intellectual Property Rights or other rights that might be claimed to pertain to the implementation or use of the technology described in this document or the extent to which any license under such rights might or might not be available; nor does it represent that it has made any independent effort to identify any such rights. Information on the procedures with respect to rights in RFC documents can be found in [BCP 78](#) and [BCP 79](#).

Copies of IPR disclosures made to the IETF Secretariat and any assurances of licenses to be made available, or the result of an attempt made to obtain a general license or permission for the use of such proprietary rights by implementers or users of this specification can be obtained from the IETF on-line IPR repository at <http://www.ietf.org/ipr>.

The IETF invites any interested party to bring to its attention any copyrights, patents or patent applications, or other proprietary rights that may cover technology that may be required to implement this standard. Please address the information to the IETF at ietf-ipr@ietf.org.

Disclaimer of Validity

This document and the information contained herein are provided on an "AS IS" basis and THE CONTRIBUTOR, THE ORGANIZATION HE/SHE REPRESENTS OR IS SPONSORED BY (IF ANY), THE INTERNET SOCIETY AND THE INTERNET ENGINEERING TASK FORCE DISCLAIM ALL WARRANTIES, EXPRESS OR IMPLIED, INCLUDING BUT NOT LIMITED TO ANY WARRANTY THAT THE USE OF THE INFORMATION HEREIN WILL NOT INFRINGE ANY RIGHTS OR ANY IMPLIED WARRANTIES OF MERCHANTABILITY OR FITNESS FOR A PARTICULAR PURPOSE.

Copyright Statement

Copyright (C) The Internet Society (2005). This document is subject to the rights, licenses and restrictions contained in [BCP 78](#), and except as set forth therein, the authors retain all their rights.

Acknowledgment

Funding for the RFC Editor function is currently provided by the Internet Society.