

Network Working Group
Internet-Draft
Intended status: Standards Track
Expires: April 25, 2019

J. Dong
X. Wei
Q. Wu
Huawei Technologies
October 22, 2018

A YANG Data Model for Layer-2 Network Topologies
draft-ietf-i2rs-yang-l2-network-topology-06

Abstract

This document defines a YANG data model for Layer 2 network topologies.

Requirements Language

The key words "MUST", "MUST NOT", "REQUIRED", "SHALL", "SHALL NOT", "SHOULD", "SHOULD NOT", "RECOMMENDED", "MAY", and "OPTIONAL" in this document are to be interpreted as described in [RFC 2119](#) [[RFC2119](#)].

Status of This Memo

This Internet-Draft is submitted in full conformance with the provisions of [BCP 78](#) and [BCP 79](#).

Internet-Drafts are working documents of the Internet Engineering Task Force (IETF). Note that other groups may also distribute working documents as Internet-Drafts. The list of current Internet-Drafts is at <https://datatracker.ietf.org/drafts/current/>.

Internet-Drafts are draft documents valid for a maximum of six months and may be updated, replaced, or obsoleted by other documents at any time. It is inappropriate to use Internet-Drafts as reference material or to cite them other than as "work in progress."

This Internet-Draft will expire on April 25, 2019.

Copyright Notice

Copyright (c) 2018 IETF Trust and the persons identified as the document authors. All rights reserved.

This document is subject to [BCP 78](#) and the IETF Trust's Legal Provisions Relating to IETF Documents (<https://trustee.ietf.org/license-info>) in effect on the date of publication of this document. Please review these documents carefully, as they describe your rights and restrictions with respect

to this document. Code Components extracted from this document must include Simplified BSD License text as described in Section 4.e of the Trust Legal Provisions and are provided without warranty as described in the Simplified BSD License.

Table of Contents

1.	Introduction	2
2.	Layer 2 Topology Model	2
3.	Layer 2 Topology Yang Module	5
4.	IANA Considerations	17
5.	Security Considerations	17
6.	Acknowledgements	19
7.	References	19
	7.1. Normative References	19
	7.2. Informative References	20
	Appendix A. Companion YANG model for non-NMDA compliant implementations	20
	Appendix B. An Example	24
	Authors' Addresses	29

[1.](#) Introduction

[RFC8345] defines the YANG [[RFC6020](#)] [[RFC7950](#)] data models of the abstract (generic) network and network topology. Such models can be augmented with technology-specific details to build more specific topology models.

This document defines the YANG data model for Layer 2 network topologies by augmenting the generic network and network topology data models with L2 specific topology attributes.

[2.](#) Layer 2 Topology Model

The Layer 2 network topology model is designed to be generic and applicable to Layer 2 networks built with different L2 technologies. It can be used to describe both the physical and the logical (virtual) L2 network topologies.

The Layer 2 topology model applies the generic network and network topology models to Layer 2 network topologies, and augments the generic models with information specific to Layer 2 networks. The relationship between the Layer 2 topology model and the generic

network and network topology model is shown in the figure below:

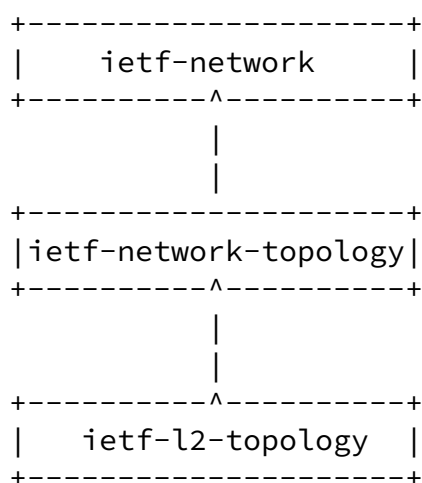


Figure 1. L2-topology model structure

In order to represent a Layer 2 network topology, the generic network and topology models are augmented with Layer-2 specific information, such as the identifiers, descriptions, attributes and states of the Layer-2 networks, nodes, links and termination points. Some of the information may be collected via Link Layer Discovery Protocol (LLDP) or other Layer-2 protocols, and some of them may be locally configured.

The structure of "ietf-l2-topology" data model is depicted in the following diagram. The notation syntax follows [\[RFC8340\]](#). For purpose of brevity, notifications are not depicted.

```
module: ietf-l2-topology
  augment /nw:networks/nw:network/nw:network-types:
    +--rw l2-network!
  augment /nw:networks/nw:network:
    +--rw l2-network-attributes
      +--rw name? string
      +--rw flag* l2-flag-type
  augment /nw:networks/nw:network/nw:node:
    +--rw l2-node-attributes
```

```

    +--rw name?                string
    +--rw description?         string
    +--rw management-address*  inet:ip-address
    +--rw sys-mac-address?     yang:mac-address
    +--rw management-vid?     vlan {VLAN}?
    +--rw flag*                node-flag-type
augment /nw:networks/nw:network/nt:link:
  +--rw l2-link-attributes
    +--rw name?               string
    +--rw flag*               link-flag-type
    +--rw rate?               decimal64
    +--rw delay?              uint32

```

```

    +--rw srlg*                uint32
augment /nw:networks/nw:network/nw:node/nt:termination-point:
  +--rw l2-termination-point-attributes
    +--rw description?        string
    +--rw maximum-frame-size? uint32
    +--rw (l2-termination-point-type)?
      | +--:(ethernet)
      | | +--rw mac-address?      yang:mac-address
      | | +--rw eth-encapsulation? identityref
      | | +--rw port-vlan-id?     vlan {VLAN}?
      | | +--rw vlan-id-name* [vlan-id] {VLAN}?
      | |   +--rw vlan-id         vlan
      | |   +--rw vlan-name?     string
      | +--:(legacy)
      |   +--rw layer-2-address?  yang:phys-address
      |   +--rw encapsulation?    identityref
    +--ro tp-state?            enumeration
notifications:
  +---n l2-node-event
  | +--ro event-type?
  | +--ro node-ref?
  | +--ro network-ref?
  | +--ro l2-network!
  | +--ro l2-node-attributes
  +---n l2-link-event
  | +--ro event-type?
  | +--ro link-ref?
  | +--ro network-ref?
  | +--ro l2-network!

```

```
|  +--ro l2-link-attributes
+---n l2-termination-point-event
    +--ro event-type?
    +--ro tp-ref?
    +--ro node-ref?
    +--ro network-ref?
    +--ro l2-network!
    +--ro l2-termination-point-attributes
```

The L2-topology module augments the generic ietf-network and ietf-network-topology modules as follows:

- o A new network type "l2-network-type" is introduced. This is represented by a container object, and is inserted under the "network-types" container of the generic ietf-network module in [[RFC8345](#)].
- o Additional network attributes are introduced in a grouping "l2-network-attributes", which augments the "network" list of the

ietf-network module. The attributes include Layer-2 network name and a set of flags. Each type of flag is represented by a separate identity.

- o Additional data objects for Layer-2 nodes are introduced by augmenting the "node" list of the generic ietf-network module. New objects include Layer-2 node identifier, description, management address, and a set of flags.
- o Additional data objects for Layer-2 termination points are introduced by augmenting the "termination-point" list of the ietf-network-topology module defined in [[RFC8345](#)]. New objects include Layer-2 termination point descriptions, Layer-2 termination point type specific attributes and Layer-2 termination point states.
- o Links in the ietf-network-topology module are augmented as well with a set of Layer-2 parameters, allowing to associate a link with a name, a set of Layer-2 link attributes and flags.
- o The optional L2 technology specific attributes are introduced in this module as Layer-2 features.

3. Layer 2 Topology Yang Module

```
<CODE BEGINS> file "ietf-l2-topology@2018-10-18.yang"
module ietf-l2-topology {
  yang-version 1.1;
  namespace "urn:ietf:params:xml:ns:yang:ietf-l2-topology";
  prefix "l2t";

  import ietf-network {
    prefix "nw";
  }

  import ietf-network-topology {
    prefix "nt";
  }

  import ietf-inet-types {
    prefix "inet";
    reference "RFC 6991";
  }

  import ietf-yang-types {
    prefix "yang";
    reference "RFC 6991";
  }
}
```

```
organization
  "IETF I2RS (Interface to the Routing System) Working Group";
contact
  "WG Web: <http://tools.ietf.org/wg/i2rs/>
  WG List: <mailto:i2rs@ietf.org>
  Editor: Jie Dong
         <mailto:jie.dong@huawei.com>

  Editor: Xiugang Wei
         <mailto:weixiugang@huawei.com>";

description
  "This module defines a basic model for
  the layer-2 topology of a network."
```

Copyright (c) 2018 IETF Trust and the persons identified as authors of the code. All rights reserved.

Redistribution and use in source and binary forms, with or without modification, is permitted pursuant to, and subject to the license terms contained in, the Simplified BSD License set forth in [Section 4.c](#) of the IETF Trust's Legal Provisions Relating to IETF Documents (<http://trustee.ietf.org/license-info>).

This version of this YANG module is part of [draft-ietf-i2rs-yang-l2-network-topo-06](#); see the RFC itself for full legal notices."

```
revision "2018-10-18" {
  description "Initial revision";
  reference "draft-ietf-i2rs-l2-network-topology-06";
}

/*
 * Typedefs
 */

typedef vlan {
  type uint16 {
    range "0..4095";
  }
  description "VLAN ID";
  reference "IEEE 802.1Q";
}

typedef trill-nickname {
  type uint16;
```

```
  description "TRILL Nickname";
  reference "RFC 6326";
}

typedef vni {
  type uint32 {
    range "1..16777215";
  }
}
```

```

    description "VxLAN Network Identifier";
    reference "RFC 7348";
}

typedef l2-flag-type {
    type identityref {
        base "flag-identity";
    }
    description "Base type for l2 flags";
}
typedef node-flag-type {
    type identityref {
        base "flag-identity";
    }
    description "Node flag attributes";
}
typedef link-flag-type {
    type identityref {
        base "flag-identity";
    }
    description "Link flag attributes";
}

typedef l2-network-event-type {
    type enumeration {
        enum "add" {
            value 0;
            description "An L2 node or link or termination-point
            has been added";
        }
        enum "remove" {
            value 1;
            description "An L2 node or link or termination-point
            has been removed";
        }
        enum "update" {
            value 2;
            description "An L2 node or link or termination-point
            has been updated";
        }
    }
}

```

}


```
    description "l2 network event type for notifications";  
} // l2-topology-event-type
```

```
/*  
 * Features  
*/
```

```
feature VLAN {  
    description  
        "Indicates that the system supports the  
        vlan functions";  
}
```

```
feature QinQ {  
    description  
        "Indicates that the system supports the  
        qinq functions";  
    reference "IEEE 802.1ad";  
}
```

```
feature PBB {  
    description  
        "Indicates that the device supports the  
        provider-backbone-bridging functions";  
    reference "IEEE 802.1ah";  
}
```

```
feature VPLS {  
    description  
        "Indicates that the device supports the  
        VPLS functions";  
    reference "RFC 4761, RFC 4762";  
}
```

```
feature TRILL {  
    description  
        "Indicates that the device supports the  
        TRILL functions";  
    reference "RFC 6325";  
}
```

```
feature VXLAN {  
    description  
        "Indicates that the device supports the  
        VXLAN functions";  
}
```

```
    reference "RFC 7348";
  }

/*
 * Identities
 */

identity flag-identity {
  description "Base type for flags";
}

identity encapsulation-type {
  description
    "Base identity from which specific encapsulation
    types are derived.";
}

identity eth-encapsulation-type {
  base encapsulation-type;
  description
    "Base identity from which specific ethernet
    encapsulation types are derived.";
}

identity ethernet {
  base eth-encapsulation-type;
  description
    "native ethernet encapsulation";
}

identity vlan {
  base eth-encapsulation-type;
  description
    "vlan encapsulation";
}

identity qinq {
  base eth-encapsulation-type;
  description
    "qinq encapsulation";
}

identity pbb {
  base eth-encapsulation-type;
```

```
description
  "pbb encapsulation";
```

```
}

identity trill {
  base eth-encapsulation-type;
  description
    "trill encapsulation";
}

identity vpls {
  base eth-encapsulation-type;
  description
    "vpls encapsulation";
}

identity vxlan {
  base eth-encapsulation-type;
  description
    "vxlan encapsulation";
}

identity frame-relay {
  base encapsulation-type;
  description
    "Frame Relay encapsulation";
}

identity ppp {
  base encapsulation-type;
  description
    "PPP encapsulation";
}

identity hdlc {
  base encapsulation-type;
  description
    "HDLC encapsulation";
}

identity atm {
```

```
base encapsulation-type;
description
  "Base identity from which specific ATM
  encapsulation types are derived.";
}

identity pwe3 {
  base encapsulation-type;
```

```
description
  "Base identity from which specific pw
  encapsulation types are derived.";
}

/*
 * Groupings
 */

grouping l2-network-type {
  description "Identify the topology type to be L2.";
  container l2-network {
    presence "indicates L2 Network";
    description
      "The presence of the container node indicates
      L2 Topology";
  }
}

grouping l2-network-attributes {
  description "L2 Topology scope attributes";
  container l2-network-attributes {
    description "Containing L2 network attributes";
    leaf name {
      type string;
      description "Name of the L2 network";
    }

    leaf-list flag {
      type l2-flag-type;
```

```

        description "L2 network flags";
    }
}
}

grouping l2-node-attributes {
    description "L2 node attributes";
    container l2-node-attributes {
        description "Containing L2 node attributes";
        leaf name {
            type string;
            description "Node name";
        }
        leaf description {
            type string;
            description "Node description";
        }
    }
}

```

```

    }
    leaf-list management-address {
        type inet:ip-address;
        description "System management address";
    }
    leaf sys-mac-address {
        type yang:mac-address;
        description "System MAC-address";
    }
    leaf management-vid {
        if-feature VLAN;
        type vlan;
        description "System management VID";
    }
    leaf-list flag {
        type node-flag-type;
        description "Node operational flags";
    }
}
} // grouping l2-node-attributes

grouping l2-link-attributes {
    description "L2 link attributes";
    container l2-link-attributes {
        description "Containing L2 link attributes";
    }
}

```

```

leaf name {
    type string;
    description "Link name";
}
leaf-list flag {
    type link-flag-type;
    description "Link flags";
}
leaf rate {
    type decimal64 {
        fraction-digits 2;
    }
    description "Link rate";
}
leaf delay {
    type uint32;
    description "Link delay in microseconds";
}
leaf-list srlg {
    type uint32;
    description
        "List of Shared Risk Link Groups

```

```

        this link belongs to.";
        reference "RFC 4202";
    }
}
} // grouping l2-link-attributes

grouping l2-termination-point-attributes {
    description "L2 termination point attributes";
    container l2-termination-point-attributes {
        description "Containing L2 TP attributes";
        leaf description {
            type string;
            description "Port description";
        }
    }

    leaf maximum-frame-size {
        type uint32;
        description "Maximum frame size";
    }
}

```

```

}

choice l2-termination-point-type {
  description
    "Indicates termination-point type
    specific attributes";
  case ethernet {
    leaf mac-address {
      type yang:mac-address;
      description "Interface MAC address";
    }

    leaf eth-encapsulation {
      type identityref {
        base eth-encapsulation-type;
      }
      description
        "Encapsulation type of this
        termination point.";
    }

    leaf port-vlan-id {
      if-feature VLAN;
      type vlan;
      description "Port VLAN ID";
    }

    list vlan-id-name {
      if-feature VLAN;
      key "vlan-id";
    }
  }
}

```

```

description "Interface configured VLANs";
leaf vlan-id {
  type vlan;
  description "VLAN ID";
}
leaf vlan-name {
  type string;
  description "VLAN name";
}
} //case ethernet

```

```

case legacy {
  leaf layer-2-address {
    type yang:phys-address;
    description "Interface Layer 2 address";
  }

  leaf encapsulation {
    type identityref {
      base encapsulation-type;
    }
    description
      "Encapsulation type of this termination point.";
  }
} //case legacy such as atm, ppp, hdlc,etc.

} //choice termination-point-type

leaf tp-state {
  type enumeration {
    enum in-use {
      value 0;
      description
        "the termination point is in forwarding state";
    }
    enum blocking {
      value 1;
      description
        "the termination point is in blocking state";
    }
    enum down {
      value 2;
      description
        "the termination point is in down state";
    }
    enum others {
      value 3;

```

```

  description
    "the termination point is in other state";
  }
}

```



```

        config false;
        description "State of the termination point";
    }
}
} // grouping l2-termination-point-attributes

/*
 * Data nodes
 */

augment "/nw:networks/nw:network/nw:network-types" {
    description
        "Introduce new network type for L2 topology";
    uses l2-network-type;
}

augment "/nw:networks/nw:network" {
    when "/nw:networks/nw:network/nw:network-types/l2t:l2-network" {
        description
            "Augmentation parameters apply only for networks
            with L2 topology";
    }
    description
        "Configuration parameters for the L2 network
        as a whole";
    uses l2-network-attributes;
}

augment "/nw:networks/nw:network/nw:node" {
    when "/nw:networks/nw:network/nw:network-types/l2t:l2-network" {
        description
            "Augmentation parameters apply only for networks
            with L2 topology";
    }
    description
        "Configuration parameters for L2 at the node
        level";
    uses l2-node-attributes;
}

augment "/nw:networks/nw:network/nt:link" {
    when "/nw:networks/nw:network/nw:network-types/l2t:l2-network" {
        description

```

```
        "Augmentation parameters apply only for networks
          with L2 topology";
    }
    description "Augment L2 topology link information";
    uses l2-link-attributes;
}

augment "/nw:networks/nw:network/nw:node/nt:termination-point" {
    when "/nw:networks/nw:network/nw:network-types/l2t:l2-network" {
        description
            "Augmentation parameters apply only for networks
              with L2 topology";
    }
    description
        "Augment L2 topology termination point information";
    uses l2-termination-point-attributes;
}

/*
 * Notifications
 */

notification l2-node-event {
    description "Notification event for L2 node";
    leaf event-type {
        type l2-network-event-type;
        description "Event type";
    }
    uses nw:node-ref;
    uses l2-network-type;
    uses l2-node-attributes;
}

notification l2-link-event {
    description "Notification event for L2 link";
    leaf event-type {
        type l2-network-event-type;
        description "Event type";
    }
    uses nt:link-ref;
    uses l2-network-type;
    uses l2-link-attributes;
}

notification l2-termination-point-event {
    description "Notification event for L2 termination point";
    leaf event-type {
```

```
type l2-network-event-type;
```

```
        description "Event type";
    }
    uses nt:tp-ref;
    uses l2-network-type;
    uses l2-termination-point-attributes;
}

} // module l2-topology
<CODE ENDS>
```

4. IANA Considerations

This document registers the following namespace URIs in the "IETF XML Registry" [[RFC3688](#)]:

URI: urn:ietf:params:xml:ns:yang:ietf-l2-topology

Registrant Contact: The IESG.

XML: N/A; the requested URI is an XML namespace.

URI: urn:ietf:params:xml:ns:yang:ietf-l2-topology-state

Registrant Contact: The IESG.

XML: N/A; the requested URI is an XML namespace.

This document registers the following YANG modules in the "YANG Module Names" registry [[RFC6020](#)]:

Name: ietf-l2-topology

Namespace: urn:ietf:params:xml:ns:yang:ietf-l2-topology

Prefix: l2t

Reference: [draft-ietf-i2rs-yang-l2-network-topology-06.txt](#) (RFC form)

Name: ietf-l2-topology-state

Namespace: urn:ietf:params:xml:ns:yang:ietf-l2-topology-state

Prefix: l2t-s

Reference: [draft-ietf-i2rs-yang-l2-network-topology-06.txt](#) (RFC form)

5. Security Considerations

The YANG module defined in this document is designed to be accessed via network management protocols such as NETCONF [[RFC6241](#)] or

RESTCONF [[RFC8040](#)] . The lowest NETCONF layer is the secure transport layer, and the mandatory-to-implement secure transport is Secure Shell (SSH) [[RFC6242](#)]. The lowest RESTCONF layer is HTTPS, and the mandatory-to-implement secure transport is TLS [[RFC5246](#)].

The NETCONF access control model [[RFC6536](#)] provides the means to restrict access for particular NETCONF or RESTCONF users to a

preconfigured subset of all available NETCONF or RESTCONF protocol operations and content.

In general, Layer 2 network topologies are system-controlled and provide ephemeral topology information. In an NMDA-compliant server, they are only part of <operational> which provides read-only access to clients, they are less vulnerable. That said, the YANG module does in principle allow information to be configurable.

The Layer 2 topology module define information that can be configurable in certain instances, for example in the case of virtual topologies that can be created by client applications. In such cases, a malicious client could introduce topologies that are undesired. Specifically, a malicious client could attempt to remove or add a node, a link, a termination point, by creating or deleting corresponding elements in the node, link, and termination point lists, respectively. In the case of a topology that is learned, the server will automatically prohibit such misconfiguration attempts. In the case of a topology that is configured, i.e. whose origin is "intended", the undesired configuration could become effective and be reflected in the operational state datastore, leading to disruption of services provided via this topology might be disrupted. For those reasons, it is important that the NETCONF access control model is vigorously applied to prevent topology misconfiguration by unauthorized clients.

There are a number of data nodes defined in this YANG module that are writable/creatable/deletable (i.e., config true, which is the default). These data nodes may be considered sensitive or vulnerable in some network environments. Write operations (e.g., edit-config) to these data nodes without proper protection can have a negative effect on network operations. These are the subtrees and data nodes and their sensitivity/vulnerability in the ietf-network module:

l2-network-attributes: A malicious client could attempt to sabotage the configuration of any of the contained attributes, such as the name or the flag data nodes.

l2-node-attributes: A malicious client could attempt to sabotage the configuration of important node attributes, such as the name or the management-address.

l2-link-attributes: A malicious client could attempt to sabotage the configuration of important link attributes, such as the rate or the delay data nodes.

l2-termination-point-attributes: A malicious client could attempt to sabotage the configuration of important termination point attributes, such as the maximum-frame-size.

6. Acknowledgements

The authors would like to acknowledge the comments and suggestions received from Susan Hares, Alia Atlas, Juergen Schoenwaelder, Mach Chen, Alexander Clemm and Sriganesh Kini.

7. References

7.1. Normative References

- [RFC2119] Bradner, S., "Key words for use in RFCs to Indicate Requirement Levels", [BCP 14](#), [RFC 2119](#), DOI 10.17487/RFC2119, March 1997, <<https://www.rfc-editor.org/info/rfc2119>>.
- [RFC3688] Mealling, M., "The IETF XML Registry", [BCP 81](#), [RFC 3688](#), DOI 10.17487/RFC3688, January 2004, <<https://www.rfc-editor.org/info/rfc3688>>.
- [RFC6020] Bjorklund, M., Ed., "YANG - A Data Modeling Language for the Network Configuration Protocol (NETCONF)", [RFC 6020](#), DOI 10.17487/RFC6020, October 2010,

<<https://www.rfc-editor.org/info/rfc6020>>.

- [RFC6991] Schoenwaelder, J., Ed., "Common YANG Data Types", [RFC 6991](#), DOI 10.17487/RFC6991, July 2013, <<https://www.rfc-editor.org/info/rfc6991>>.
- [RFC7950] Bjorklund, M., Ed., "The YANG 1.1 Data Modeling Language", [RFC 7950](#), DOI 10.17487/RFC7950, August 2016, <<https://www.rfc-editor.org/info/rfc7950>>.
- [RFC7951] Lhotka, L., "JSON Encoding of Data Modeled with YANG", [RFC 7951](#), DOI 10.17487/RFC7951, August 2016, <<https://www.rfc-editor.org/info/rfc7951>>.
- [RFC8345] Clemm, A., Medved, J., Varga, R., Bahadur, N., Ananthakrishnan, H., and X. Liu, "A YANG Data Model for Network Topologies", [RFC 8345](#), DOI 10.17487/RFC8345, March 2018, <<https://www.rfc-editor.org/info/rfc8345>>.

7.2. Informative References

- [RFC5246] Dierks, T. and E. Rescorla, "The Transport Layer Security (TLS) Protocol Version 1.2", [RFC 5246](#), DOI 10.17487/RFC5246, August 2008, <<https://www.rfc-editor.org/info/rfc5246>>.
- [RFC6241] Enns, R., Ed., Bjorklund, M., Ed., Schoenwaelder, J., Ed., and A. Bierman, Ed., "Network Configuration Protocol (NETCONF)", [RFC 6241](#), DOI 10.17487/RFC6241, June 2011, <<https://www.rfc-editor.org/info/rfc6241>>.
- [RFC6242] Wasserman, M., "Using the NETCONF Protocol over Secure Shell (SSH)", [RFC 6242](#), DOI 10.17487/RFC6242, June 2011, <<https://www.rfc-editor.org/info/rfc6242>>.
- [RFC6536] Bierman, A. and M. Bjorklund, "Network Configuration Protocol (NETCONF) Access Control Model", [RFC 6536](#), DOI 10.17487/RFC6536, March 2012,

<<https://www.rfc-editor.org/info/rfc6536>>.

- [RFC8040] Bierman, A., Bjorklund, M., and K. Watsen, "RESTCONF Protocol", [RFC 8040](#), DOI 10.17487/RFC8040, January 2017, <<https://www.rfc-editor.org/info/rfc8040>>.
- [RFC8340] Bjorklund, M. and L. Berger, Ed., "YANG Tree Diagrams", [BCP 215](#), [RFC 8340](#), DOI 10.17487/RFC8340, March 2018, <<https://www.rfc-editor.org/info/rfc8340>>.
- [RFC8342] Bjorklund, M., Schoenwaelder, J., Shafer, P., Watsen, K., and R. Wilton, "Network Management Datastore Architecture (NMDA)", [RFC 8342](#), DOI 10.17487/RFC8342, March 2018, <<https://www.rfc-editor.org/info/rfc8342>>.

Appendix A. Companion YANG model for non-NMDA compliant implementations

The YANG module `ietf-l2-topology` defined in this document augments two modules, `ietf-network` and `ietf-network-topology`, that are designed to be used in conjunction with implementations that support the Network Management Datastore Architecture (NMDA) defined in [[RFC8342](#)]. In order to allow implementations to use the model even in cases when NMDA is not supported, a set of companion modules have been defined that represent a state model of networks and network topologies, `ietf-network-state` and `ietf-network-topology-state`, respectively.

In order to be able to use the model for layer 2 topologies defined in this document in conjunction with non-NMDA compliant

implementations, a corresponding companion module is defined that represent the operational state of layer 2 network topologies. The module `ietf-l2-topology-state` mirrors the module `ietf-l2-topology` defined earlier in this document. However, it augments `ietf-network-state` and `ietf-network-topology-state` (instead of `ietf-network` and `ietf-network-topology`) and all its data nodes are non-configurable.

The companion module `ietf-l2-topology` SHOULD NOT be supported by implementations that support NMDA. It is for this reason that this module is defined in the Appendix.

As the structure of this modules mirrors that of its underlying

modules, the YANG tree is not depicted separately.

```
<CODE BEGINS> file "ietf-l2-topology-state@2018-10-18.yang"
module ietf-l2-topology-state {
  yang-version 1.1;
  namespace "urn:ietf:params:xml:ns:yang:ietf-l2-topology-state";
  prefix "l2t-s";

  import ietf-network-state {
    prefix "nw-s";
  }

  import ietf-network-topology-state {
    prefix "nt-s";
  }

  import ietf-l2-topology {
    prefix "l2t";
  }

  organization
    "IETF I2RS (Interface to the Routing System) Working Group";
  contact
    "WG Web: <http://tools.ietf.org/wg/i2rs/>
    WG List: <mailto:i2rs@ietf.org>
    Editor:   Jie Dong
             <mailto:jie.dong@huawei.com>
    Editor:   Xiugang Wei
             <mailto:weixiugang@huawei.com>";

  description
    "This module defines a basic model for
    the layer-2 topology of a network.

    Copyright (c) 2018 IETF Trust and the persons identified as
    authors of the code. All rights reserved."
```


(<http://trustee.ietf.org/license-info>).

This version of this YANG module is part of [draft-ietf-i2rs-yang-l2-network-topo-05](#); see the RFC itself for full legal notices.";

```
revision "2018-10-18" {
  description "Initial revision";
  reference "draft-ietf-i2rs-l2-network-topology-06";
}

/*
 * Data nodes
 */

augment "/nw-s:networks/nw-s:network/nw-s:network-types" {
  description
    "Introduce new network type for L2 topology";
  uses l2t:l2-network-type;
}

augment "/nw-s:networks/nw-s:network" {
  when "/nw-s:networks/nw-s:network/nw-s:network-types/" +
    "l2t-s:l2-network" {
    description
      "Augmentation parameters apply only for networks
      with L2 topology";
  }
  description
    "Configuration parameters for the L2 network
    as a whole";
  uses l2t:l2-network-attributes;
}

augment "/nw-s:networks/nw-s:network/nw-s:node" {
  when "/nw-s:networks/nw-s:network/nw-s:network-types/" +
    "l2t-s:l2-network" {
    description
      "Augmentation parameters apply only for networks
      with L2 topology";
  }
}
```

```

    }
    description
        "Configuration parameters for L2 at the node
        level";
    uses l2t:l2-node-attributes;
}

augment "/nw-s:networks/nw-s:network/nt-s:link" {
    when "/nw-s:networks/nw-s:network/nw-s:network-types/" +
        "l2t-s:l2-network" {
        description
            "Augmentation parameters apply only for networks
            with L2 topology";
    }
    description "Augment L2 topology link information";
    uses l2t:l2-link-attributes;
}

augment "/nw-s:networks/nw-s:network/nw-s:node/" +
    "nt-s:termination-point" {
    when "/nw-s:networks/nw-s:network/nw-s:network-types/" +
        "l2t-s:l2-network" {
        description
            "Augmentation parameters apply only for networks
            with L2 topology";
    }
    description
        "Augment L2 topology termination point information";
    uses l2t:l2-termination-point-attributes;
}

/*
 * Notifications
 */

notification l2-node-event {
    description "Notification event for L2 node";
    leaf event-type {
        type l2t:l2-network-event-type;
        description "Event type";
    }
    uses nw-s:node-ref;
    uses l2t:l2-network-type;
    uses l2t:l2-node-attributes;
}

notification l2-link-event {
    description "Notification event for L2 link";
}

```

Internet-Draft

Layer-2 Network Topology Data Model

October 2018

```
    leaf event-type {
      type l2t:l2-network-event-type;
      description "Event type";
    }
    uses nt-s:link-ref;
    uses l2t:l2-network-type;
    uses l2t:l2-link-attributes;
  }

  notification l2-termination-point-event {
    description "Notification event for L2 termination point";
    leaf event-type {
      type l2t:l2-network-event-type;
      description "Event type";
    }
    uses nt-s:tp-ref;
    uses l2t:l2-network-type;
    uses l2t:l2-termination-point-attributes;
  }

} // module l2-topology-state
<CODE ENDS>
```

[Appendix B](#). An Example

This section contains an example of an instance data tree in JSON encoding [[RFC7951](#)]. The example instantiates "ietf-l2-topology" for the topology that is depicted in the following diagram. There are three nodes: D1, D2, and D3. D1 has three termination points: 1-0-1, 1-2-1, and 1-3-1. D2 has three termination points as well: 2-1-1, 2-0-1, and 2-3-1. D3 has two termination points: 3-1-1 and 3-2-1. In addition, there are six links, two between each pair of nodes, with one going in each direction.

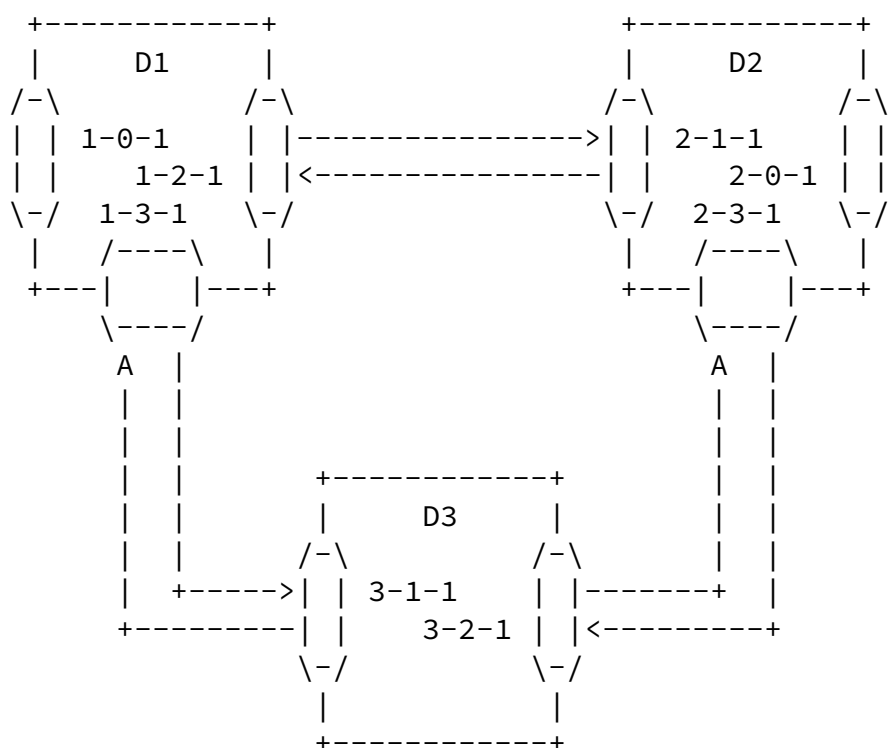


Figure 2. A Network Topology Example

The corresponding instance data tree is depicted as below. Note that some lines have been wrapped to adhere to the 72-character line limitation of RFCs.

```
{
  "ietf-network:networks": {
    "network": [
      {
        "network-types": {
          "ietf-l2-topology:l2-network": {}
        },
        "network-id": "l2-topo-example",

```

```

"node": [
  {
    "node-id": "D1",
    "termination-point": [
      {
        "tp-id": "1-0-1",
        "ietf-l2-topology:
          l2-termination-point-attributes": {
            "mac-address": "A1:B2:C3:D4:E5:F0"
          }
      },
      {
        "tp-id": "1-2-1",

```

```

        "ietf-l2-topology:
          l2-termination-point-attributes": {
            "mac-address": "A1:B2:C3:D4:E5:F1"
          }
      },
      {
        "tp-id": "1-3-1",
        "ietf-l2-topology:
          l2-termination-point-attributes": {
            "mac-address": "A1:B2:C3:D4:E5:F2"
          }
      }
    ],
    "ietf-l2-topology:l2-node-attributes": {
      "management-address": ["10.1.1.1"]
    }
  },
  {
    "node-id": "D2",
    "termination-point": [
      {
        "tp-id": "2-0-1",
        "ietf-l2-topology:
          l2-termination-point-attributes": {
            "mac-address": "A2:B2:C3:D4:E5:F0"
          }
      },

```

```

        "tp-id": "2-1-1",
        "ietf-l2-topology:
          l2-termination-point-attributes": {
            "mac-address": "A2:B2:C3:D4:E5:F2"
          }
      },
      {
        "tp-id": "2-3-1",
        "ietf-l2-topology:
          l2-termination-point-attributes": {
            "mac-address": "A2:B2:C3:D4:E5:F3"
          }
      }
    ],
    "ietf-l2-topology:l2-node-attributes": {
      "management-address": ["10.1.1.2"]
    }
  },
  {
    "node-id": "D3",

```

```

    "termination-point": [
      {
        "tp-id": "3-1-1",
        "ietf-l2-topology:
          l2-termination-point-attributes": {
            "mac-address": "A3:B2:C3:D4:E5:F0"
          }
      },
      {
        "tp-id": "3-2-1",
        "ietf-l2-topology:
          l2-termination-point-attributes": {
            "mac-address": "A3:B2:C3:D4:E5:F1"
          }
      }
    ],
    "ietf-l2-topology:l2-node-attributes": {
      "management-address": ["10.1.1.3"]
    }
  }
],

```

```

"ietf-network-topology:link": [
  {
    "link-id": "D1,1-2-1,D2,2-1-1",
    "source": {
      "source-node": "D1",
      "source-tp": "1-2-1"
    }
    "destination": {
      "dest-node": "D2",
      "dest-tp": "2-1-1"
    },
    "ietf-l2-topology:l2-link-attributes": {
      "rate": "1000"
    }
  },
  {
    "link-id": "D2,2-1-1,D1,1-2-1",
    "source": {
      "source-node": "D2",
      "source-tp": "2-1-1"
    }
    "destination": {
      "dest-node": "D1",
      "dest-tp": "1-2-1"
    },
    "ietf-l2-topology:l2-link-attributes": {
      "rate": "1000"
    }
  }
]

```

```

}
},
{
  "link-id": "D1,1-3-1,D3,3-1-1",
  "source": {
    "source-node": "D1",
    "source-tp": "1-3-1"
  }
  "destination": {
    "dest-node": "D3",
    "dest-tp": "3-1-1"
  },
  "ietf-l2-topology:l2-link-attributes": {
    "rate": "1000"
  }
}

```

```

    }
  },
  {
    "link-id": "D3,3-1-1,D1,1-3-1",
    "source": {
      "source-node": "D3",
      "source-tp": "3-1-1"
    }
    "destination": {
      "dest-node": "D1",
      "dest-tp": "1-3-1"
    },
    "ietf-l2-topology:l2-link-attributes": {
      "rate": "1000"
    }
  },
  {
    "link-id": "D2,2-3-1,D3,3-2-1",
    "source": {
      "source-node": "D2",
      "source-tp": "2-3-1"
    }
    "destination": {
      "dest-node": "D3",
      "dest-tp": "3-2-1"
    },
    "ietf-l2-topology:l2-link-attributes": {
      "rate": "1000"
    }
  },
  {
    "link-id": "D3,3-2-1,D2,2-3-1",
    "source": {
      "source-node": "D3",

```

```

      "source-tp": "3-2-1"
    }
    "destination": {
      "dest-node": "D2",
      "dest-tp": "2-3-1"
    },
    "ietf-l2-topology:l2-link-attributes": {

```



```
        "rate": "1000"  
      }  
    }  
  ]  
}  
]
```

Authors' Addresses

Jie Dong
Huawei Technologies
Huawei Campus, No. 156 Beiqing Rd.
Beijing 100095
China

Email: jie.dong@huawei.com

Xiugang Wei
Huawei Technologies
Huawei Campus, No. 156 Beiqing Rd.
Beijing 100095
China

Email: weixiugang@huawei.com

Qin Wu
Huawei Technologies
101 Software Avenue, Yuhua District
Nanjing 210012
China

Email: bill.wu@huawei.com