

IDR Working Group E.
Jasinska
Internet-Draft Netflix,
Inc
Intended status: Standards Track N.
Hilliard
Expires: December 11, 2014
INEX R.
Raszuk
Inc. NTT MCL
Bakker N.
B.V. Akamai Technologies
2014 June 9,

**Internet Exchange Route Server
draft-ietf-idr-ix-bgp-route-server-05**

Abstract

This document outlines a specification for multilateral interconnections at Internet exchange points (IXPs). Multilateral interconnection is a method of exchanging routing information between three or more exterior BGP speakers using a single intermediate broker system, referred to as a route server. Route servers are typically used on shared access media networks, such as Internet exchange points (IXPs), to facilitate simplified interconnection between multiple Internet routers.

Status of this Memo

This Internet-Draft is submitted in full conformance with the provisions of [BCP 78](#) and [BCP 79](#).

Internet-Drafts are working documents of the Internet Engineering Task Force (IETF). Note that other groups may also distribute working documents as Internet-Drafts. The list of current Internet-Drafts is at <http://datatracker.ietf.org/drafts/current/>.

Internet-Drafts are draft documents valid for a maximum of six months and may be updated, replaced, or obsoleted by other documents at any time. It is inappropriate to use Internet-Drafts as reference material or to cite them other than as "work in progress."

This Internet-Draft will expire on December 11, 2014.

Copyright Notice

Copyright (c) 2014 IETF Trust and the persons identified as the

document authors. All rights reserved.

This document is subject to [BCP 78](#) and the IETF Trust's Legal

Jasinska, et al.
1]

Expires December 11, 2014

[Page

Provisions Relating to IETF Documents
(<http://trustee.ietf.org/license-info>) in effect on the date of publication of this document. Please review these documents carefully, as they describe your rights and restrictions with respect to this document. Code Components extracted from this document must include Simplified BSD License text as described in Section 4.e of the Trust Legal Provisions and are provided without warranty as described in the Simplified BSD License.

Table of Contents

- 1 1. Introduction to Multilateral Interconnection
- 3 1.1 1.1. Notational Conventions
- 3 2. Technical Considerations for Route Server Implementations . .
- 4 2.1 2.1. Client UPDATE Messages
- 4 2.2 2.2. Attribute Transparency
- 4 2.2.1 2.2.1. NEXT_HOP Attribute
- 4 2.2.2 2.2.2. AS_PATH Attribute
- 4 2.2.3 2.2.3. MULTI_EXIT_DISC Attribute
- 5 2.2.4 2.2.4. Communities Attributes
- 5 2.3. Per-Client Policy Control in Multilateral
- 5 Interconnection
- 6 2.3.1 2.3.1. Path Hiding on a Route Server
- 7 2.3.2 2.3.2. Mitigation of Path Hiding
- 7 2.3.2.1 2.3.2.1. Multiple Route Server RIBs
- 7 2.3.2.2 2.3.2.2. Advertising Multiple Paths
- 7 2.3.3 2.3.3. Implementation Recommendations
- 8 3. Security Considerations
- 8 4. IANA Considerations
- 9 5. Acknowledgments
- 9 6. References
- 9

[6.1](#). Normative References

[9](#)

[6.2](#). Informative References

[9](#)

Authors' Addresses

[10](#)

1. Introduction to Multilateral Interconnection

Internet exchange points (IXPs) provide IP data interconnection facilities for their participants, typically using shared Layer-2 networking media such as Ethernet. The Border Gateway Protocol (BGP) [[RFC4271](#)], an inter-Autonomous System routing protocol, is commonly used to facilitate exchange of network reachability information over such media.

While bilateral exterior BGP sessions between exchange participants were previously the most common means of exchanging reachability information, the overhead associated with dense interconnection has caused substantial operational scaling problems for Internet exchange point participants.

Multilateral interconnection is a method of interconnecting BGP speaking routers using a third party brokering system, commonly referred to as a route server and typically managed by the IXP operator. Each of the multilateral interconnection participants (usually referred to as route server clients) announces network reachability information to the route server using exterior BGP, and the route server in turn forwards this information to each other route server client connected to it, according to its configuration. Although a route server uses BGP to exchange reachability information with each of its clients, it does not forward traffic itself and is therefore not a router.

A route server can be viewed as similar in function to an [[RFC4456](#)] route reflector, except that it operates using EBGP instead of iBGP. Certain adaptations to [[RFC4271](#)] are required to enable an EBGP router to operate as a route server; these are outlined in [Section 2](#) of this document.

The term "route server" is often in a different context used to describe a BGP node whose purpose is to accept BGP feeds from multiple clients for the purpose of operational analysis and troubleshooting. A system of this form may alternatively be known as a "route collector" or a "route-views server". This document uses the term "route server" exclusively to describe multilateral peering brokerage systems.

1.1. Notational Conventions

The key words "MUST", "MUST NOT", "REQUIRED", "SHALL", "SHALL NOT", "SHOULD", "SHOULD NOT", "RECOMMENDED", "NOT RECOMMENDED", "MAY", and "OPTIONAL" in this document are to be interpreted as described in [[RFC2119](#)].

2. Technical Considerations for Route Server Implementations

2.1. Client UPDATE Messages

A route server MUST accept all UPDATE messages received from each of its clients for inclusion in its Adj-RIB-In. These UPDATE messages MAY be omitted from the route server's Loc-RIB or Loc-RIBs, due to filters configured for the purposes of implementing routing policy. The route server SHOULD perform one or more BGP Decision Processes to select routes for subsequent advertisement to its clients, taking into account possible configuration to provide multiple NLRI paths to a particular client as described in [Section 2.3.2.2](#) or multiple Loc-RIBs as described in [Section 2.3.2.1](#). The route server SHOULD forward UPDATE messages where appropriate from its Loc-RIB or Loc-RIBs to its clients.

2.2. Attribute Transparency

As a route server primarily performs a brokering service, modification of attributes could cause route server clients to alter their BGP best path selection process for received prefix reachability information, thereby changing the intended routing policies of exchange participants. Therefore, contrary to what is specified in [section 5. of \[RFC4271\]](#), route servers SHOULD NOT by default (unless explicitly configured) update well-known BGP attributes received from route server clients before redistributing them to their other route server clients. Optional recognized and unrecognized BGP attributes, whether transitive or non-transitive, SHOULD NOT be updated by the route server (unless enforced by local IX operator configuration) and SHOULD be passed on to other route server clients.

2.2.1. NEXT_HOP Attribute

The NEXT_HOP is a well-known mandatory BGP attribute which defines the IP address of the router used as the next hop to the destinations listed in the Network Layer Reachability Information field of the UPDATE message. As the route server does not participate in the actual routing of traffic, the NEXT_HOP attribute MUST be passed unmodified to the route server clients, similar to the "third party" next hop feature described in [section 5.1.3. of \[RFC4271\]](#).

2.2.2. AS_PATH Attribute

AS_PATH is a well-known mandatory attribute which identifies the autonomous systems through which routing information carried in the UPDATE message has passed.

As a route server does not participate in the process of forwarding data between client routers, and because modification of the AS_PATH attribute could affect route server client best path calculations, the route server SHOULD NOT prepend its own AS number to the AS_PATH segment nor modify the AS_PATH segment in any other way.

2.2.3. MULTI_EXIT_DISC Attribute

MULTI_EXIT_DISC is an optional non-transitive attribute intended to be used on external (inter-AS) links to discriminate among multiple exit or entry points to the same neighboring AS. Contrary to [section](#)

[5.1.4 of \[RFC4271\]](#), if applied to an NLRI UPDATE sent to a route server, this attribute SHOULD be propagated to other route server clients and the route server SHOULD NOT modify its value.

2.2.4. Communities Attributes

The BGP COMMUNITIES ([\[RFC1997\]](#)) and Extended Communities ([\[RFC4360\]](#)) attributes are attributes intended for labeling information carried in BGP UPDATE messages. Transitive as well as non-transitive Communities attributes applied to an NLRI UPDATE sent to a route server SHOULD NOT be modified, processed or removed. However, if such an attribute is intended for processing by the route server itself, it MAY be modified or removed.

2.3. Per-Client Policy Control in Multilateral Interconnection

While IXP participants often use route servers with the intention of interconnecting with as many other route server participants as possible, there are circumstances where control of path distribution on a per-client basis is important to ensure that desired interconnection policies are met.

The control of path distribution on a per-client basis can lead to a path being hidden from the route server client. We refer to this as "path hiding".

2.3.1. Path Hiding on a Route Server

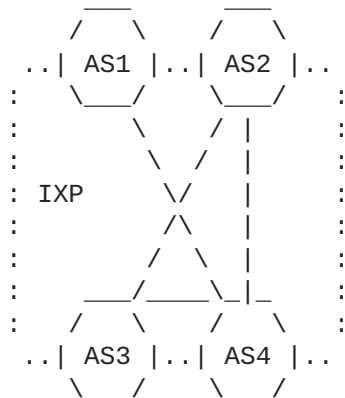


Figure 1: Per-Client Policy Controlled Interconnection at an IXP

Using the example in Figure 1, AS1 does not directly exchange prefix information with either AS2 or AS3 at the IXP, but only interconnects with AS4.

In the traditional bilateral interconnection model, per-client policy control to a third party exchange participant is accomplished either by not engaging in a bilateral interconnection with that participant or else by implementing outbound filtering on the BGP session towards that participant. However, in a multilateral interconnection environment, only the route server can perform outbound filtering in the direction of the route server client; route server clients depend on the route server to perform their outbound filtering for them.

Assuming a traditional best path selection, when the same prefix is advertised to a route server from multiple route server clients, the route server will select a single best path for propagation to all connected clients. If, however, the route server has been configured to filter the calculated best path from reaching a particular route server client, then that client will not receive a path for that prefix, although alternate paths received by the route server might have been policy compliant for that client. This phenomenon is referred to as "path hiding".

For example, in Figure 1, if the same prefix were sent to the route server via AS2 and AS4, and the route via AS2 was preferred according to BGP's traditional best path selection, but AS1's policy prevents AS2's path from being accepted, then AS1 would never receive a path

to this prefix, even though the route server had previously received a valid alternative path via AS4. This happens because the best path

selection is performed only once on the route server for all clients.

Path hiding will only occur on route servers which employ per-client policy control; if an IXP operator deploys a route server without implementing a per-client routing policy control system, then path hiding does not occur as all paths are considered equally valid from the point of view of the route server.

2.3.2. Mitigation of Path Hiding

There are several approaches which can be taken to mitigate against path hiding.

2.3.2.1. Multiple Route Server RIBs

The most portable method to allow for per-client policy control without the occurrence of path hiding, is by using a route server BGP implementation which performs the per-client best path calculation for each set of paths to a prefix, which results after the route server's client policies have been taken into consideration. This can be implemented by using per-client Loc-RIBs, with path filtering implemented between the Adj-RIB-In and the per-client Loc-RIB. Implementations MAY optimize this by maintaining paths not subject to filtering policies in a global Loc-RIB, with per-client Loc-RIBs stored as deltas.

This implementation is highly portable, as it makes no assumptions about the feature capabilities of the route server clients.

2.3.2.2. Advertising Multiple Paths

The path distribution model described above assumes standard BGP session encoding where the route server sends a single path to its client for any given prefix. This path is selected using the BGP path selection decision process described in [\[RFC4271\]](#). If, however, it were possible for the route server to send more than a single path to a route server client, then route server clients would no longer depend on receiving a single best path to a particular prefix; consequently, the path hiding problem described in [Section 2.3.1](#) would disappear.

We present two methods which describe how such increased path diversity could be implemented.

2.3.2.2.1. Diverse BGP Path Approach

The Diverse BGP Path proposal as defined in

[\[I-D.ietf-grow-diverse-bgp-path-dist\]](#) is a simple way to distribute

Jasinska, et al.
7]

Expires December 11, 2014

[Page

multiple prefix paths from a route server to a route server client by using a separate BGP session from the route server to a client for each different path.

The number of paths which may be distributed to a client is constrained by the number of BGP sessions which the server and the client are willing to establish with each other. The distributed paths may be established from the global BGP Loc-RIB on the route server in addition to any per-client Loc-RIB. As there may be more potential paths to a given prefix than configured BGP sessions, this method is not guaranteed to eliminate the path hiding problem in all situations. Furthermore, this method may significantly increase the number of BGP sessions handled by the route server, which may negatively impact its performance.

2.3.2.2.2. BGP ADD-PATH Approach

The [[I-D.ietf-idr-add-paths](#)] Internet draft proposes a different approach to multiple path propagation, by allowing a BGP speaker to forward multiple paths for the same prefix on a single BGP session. As [[RFC4271](#)] specifies that a BGP listener must implement an implicit withdraw when it receives an UPDATE message for a prefix which already exists in its Adj-RIB-In, this approach requires explicit support for the feature both on the route server and on its clients.

If the ADD-PATH capability is negotiated bidirectionally between the route server and a route server client, and the route server client propagates multiple paths for the same prefix to the route server, then this could potentially cause the propagation of inactive, invalid or suboptimal paths to the route server, thereby causing loss of reachability to other route server clients. For this reason, ADD-PATH implementations on a route server SHOULD enforce send-only mode with the route server clients, which would result in negotiating receive-only mode from the client to the route server.

2.3.3. Implementation Recommendations

A route server SHOULD implement one of the methods described in [Section 2.3.2](#) to allow per-client routing policy control without "path hiding".

3. Security Considerations

The path hiding problem outlined in section [Section 2.3.1](#) can be used in certain circumstances to proactively block third party path announcements from other route server clients. Route server

operators should be aware that security issues may arise unless
steps

Jasinska, et al.
8]

Expires December 11, 2014

[Page

are taken to mitigate against path hiding.

4. IANA Considerations

The new set of mechanisms for route servers does not require any new allocations from IANA.

5. Acknowledgments

The authors would like to thank Ryan Bickhart, Steven Bakker, Martin Pels, Chris Hall, Aleksi Suhonen, Bruno Decraene, Pierre Francois and Eduardo Ascenco Reis for their valuable input.

In addition, the authors would like to acknowledge the developers of BIRD, OpenBGPD, Quagga and IOS whose BGP implementations include route server capabilities which are compliant with this document.

Route server functionality was described in 1995 in [[RFC1863](#)] and modern route server implementations are based on concepts developed in the 1990s by the Routing Arbiter Project and the Route Server Next Generation Project, managed by ISI and Merit. Although the original RSNG code is no longer in use at any IXPs, the IXP community owes a debt of gratitude to the many people who were involved in route server development in the 1990s.

6. References

6.1. Normative References

- [RFC1997] Chandrasekeran, R., Traina, P., and T. Li, "BGP Communities Attribute", [RFC 1997](#), August 1996.
- [RFC2119] Bradner, S., "Key words for use in RFCs to Indicate Requirement Levels", [BCP 14](#), [RFC 2119](#), March 1997.
- [RFC4271] Rekhter, Y., Li, T., and S. Hares, "A Border Gateway Protocol 4 (BGP-4)", [RFC 4271](#), January 2006.
- [RFC4360] Sangli, S., Tappan, D., and Y. Rekhter, "BGP Extended Communities Attribute", [RFC 4360](#), February 2006.

6.2. Informative References

- [I-D.ietf-grow-diverse-bgp-path-dist]
Raszuk, R., Fernando, R., Patel, K., McPherson, D., and K.

Kumaki, "Distribution of diverse BGP paths.",
[draft-ietf-grow-diverse-bgp-path-dist-08](#) (work in
progress), July 2012.

[I-D.ietf-idr-add-paths]

Walton, D., Retana, A., Chen, E., and J. Scudder,
"Advertisement of Multiple Paths in BGP",
[draft-ietf-idr-add-paths-09](#) (work in progress),
October 2013.

[RFC1863] Haskin, D., "A BGP/IDRP Route Server alternative to a
full mesh routing", [RFC 1863](#), October 1995.

[RFC4456] Bates, T., Chen, E., and R. Chandra, "BGP Route
Reflection: An Alternative to Full Mesh Internal BGP
(IBGP)", [RFC 4456](#), April 2006.

Authors' Addresses

Elisa Jasinska
Netflix, Inc
100 Winchester Circle
Los Gatos, CA 95032
USA

Email: elisa@netflix.com

Nick Hilliard
INEX
4027 Kingswood Road
Dublin 24
IE

Email: nick@inex.ie

Robert Raszuk
NTT MCL Inc.
101 S Ellsworth Avenue Suite 350
San Mateo, CA 94401
US

Email: robert@raszuk.net

Internet-Draft
2014

IX BGP Route Server

June

Niels Bakker
Akamai Technologies B.V.
Kingsfordweg 151
Amsterdam 1043 GR
NL

Email: nbakker@akamai.com

