

LISP Working Group
Internet-Draft
Intended status: Informational
Expires: September 3, 2020

S. Barkai
B. Fernandez-Ruiz
S. ZionB
R. Tamir
Nexar Inc
A. Rodriguez-Natal
F. Maino
Cisco Systems
A. Cabellos-Aparicio
J. Paillissé Vilanova
Technical University of Catalonia
D. Farinacci
lispers.net
May 3, 2020

Network-Hexagons: H3-LISP GeoState & Mobility Network
draft-ietf-lisp-nexagon-01

Abstract

This document specifies use of H3 and LISP to reflect status of public roads

- Enabling tile by tile, indexed annotation of streets & curbs in real time
- Sharing: hazards, blockages, parking, weather, maintenance, inventory..
- Between MobilityClients who produce and consume geo-state information
- Using geo-spatial IP channels for the current state of the physical world

Status of This Memo

This Internet-Draft is submitted in full conformance with the provisions of [BCP 78](#) and [BCP 79](#).

Internet-Drafts are working documents of the Internet Engineering Task Force (IETF). Note that other groups may also distribute working documents as Internet-Drafts. The list of current Internet-Drafts is at <https://datatracker.ietf.org/drafts/current/>.

Internet-Drafts are draft documents valid for a maximum of six months and may be updated, replaced, or obsoleted by other documents at any time. It is inappropriate to use Internet-Drafts as reference material or to cite them other than as "work in progress."

This Internet-Draft will expire on October 4, 2019.

Copyright Notice

Copyright (c) 2019 IETF Trust and the persons identified as the document authors. All rights reserved.

This document is subject to [BCP 78](#) and the IETF Trust's Legal Provisions Relating to IETF Documents (<https://trustee.ietf.org/license-info>) in effect on the date of publication of this document. Please review these documents carefully, as they describe your rights and restrictions with respect to this document. Code Components extracted from this document must include Simplified BSD License text as described in Section 4.e of the Trust Legal Provisions and are provided without warranty as described in the Simplified BSD License.

Table of Contents

| | | |
|---------------------|---|-------------------|
| 1. | Introduction | 2 |
| 2. | Requirements Language | 3 |
| 3. | Definition of Terms | 3 |
| 4. | Deployment Assumptions | 4 |
| 5. | Mobility Clients Network Services | 4 |
| 6. | Mobility Unicast-Multicast | 5 |
| 7. | Security Considerations | 6 |
| 8. | Acknowledgments | 6 |
| 9. | IANA Considerations | 6 |
| 10. | Normative References | 8 |
| | Authors' Addresses | 9 |

[1.](#) Introduction

(1) The Locator/ID Separation Protocol (LISP) [[RFC6830](#)] splits current IP addresses in two different namespaces, Endpoint Identifiers (EIDs) and Routing Locators (RLOCs). LISP uses a map-and-encap approach that relies on (1) a Mapping System (distributed database) that stores and disseminates EID-RLOC mappings and on (2) LISP tunnel routers (xTRs) that encapsulate and decapsulate data packets based on the content of those mappings.

(2) H3 is a geospatial indexing system using a hexagonal grid that can be (approximately) subdivided into finer and finer hexagonal grids, combining the benefits of a hexagonal grid with hierarchical subdivisions. H3 supports sixteen resolutions. Each finer resolution has cells with one seventh the area of the coarser resolution. Hexagons cannot be perfectly subdivided into seven hexagons, so the finer cells are only approximately contained within a parent cell. Each cell is identified by a 64bit HID.

(3) The Berkeley Deep Drive (BDD) Industry Consortium investigates state-of-the-art technologies in computer vision and machine learning for automotive applications, and, for taxonomy of published automotive scene classification.

These standards are combined to create an in-network state which reflects the condition of each hexagonal tile (~1sqm) in every road. The lisp network maps encapsulates traffic between MobilityClient endpoint identifiers (EID), and addressable tile-objects (HID=>EID). objects are aggregated by H3Service EIDs

The H3-LISP mobility network bridges timing and location gaps between the production and consumption of information by MobilityClients:

- o vision, sensory, LIADR, AI applications -- information producers
- o driving-apps, map-apps, command & control -- information consumers

This is achieved by putting the physical world on a shared addressable geo-state grid at the edge. The tile by tile, geo-state, mobility network solves key issues in vehicle to vehicle networking, where observed hazards are relayed without clear, reliable convergence. Given a situation observable by some end-points, it is unclear if the relevant end-points which need to know will receive consistent, conflicting, multiple, or no indications whatsoever.

For example, when a vehicle experiences a sudden highway slow-down, "sees" many brake lights or "feels" accelerometer, there is no clear way for it to share this annotation with vehicles 20-30sec away to prevent a potential pile-up. Or, when a vehicle crosses an intersection, observing opposite-lane obstruction, construction, double-park, commercial loading or un-loading, garbage truck, or stopped school-bus, there is no clear way for it to alert vehicles approaching that situation as it drives away.

Geo-state indirection also helps communicating advanced machine vision and/or radar annotations. These are constantly evolving technologies, however, communicating the road enumerations they produce, using peer-to-peer protocol poses a significant interoperability challenge. It is hard to test each new annotation of any sensor or OEM vendor with any other driving application.

These peer-to-peer limitations are inherit yet unnecessary, as in most road situations vehicles are not really proper peers. They just happen to be in the same place at the same time. H3-LISP mobility network solves the limitations of direct vehicle-to-vehicle communication by anchoring per geo-tile: timing, security, privacy, interoperability. Anchoring is achieved by MobilityClients communicating through in-network addressable geo-states. Addressable tiles are aggregated and maintained by LISP H3ServiceEIDs.

MobilityClients can provide drivers with heads-up alerts on hazards and obstacles beyond the line of sight of both the drivers and in-car sensors: over traffic around blocks, far-side junction, beyond turns, and surface curvatures. This highlights the importance of networks in providing road safety.

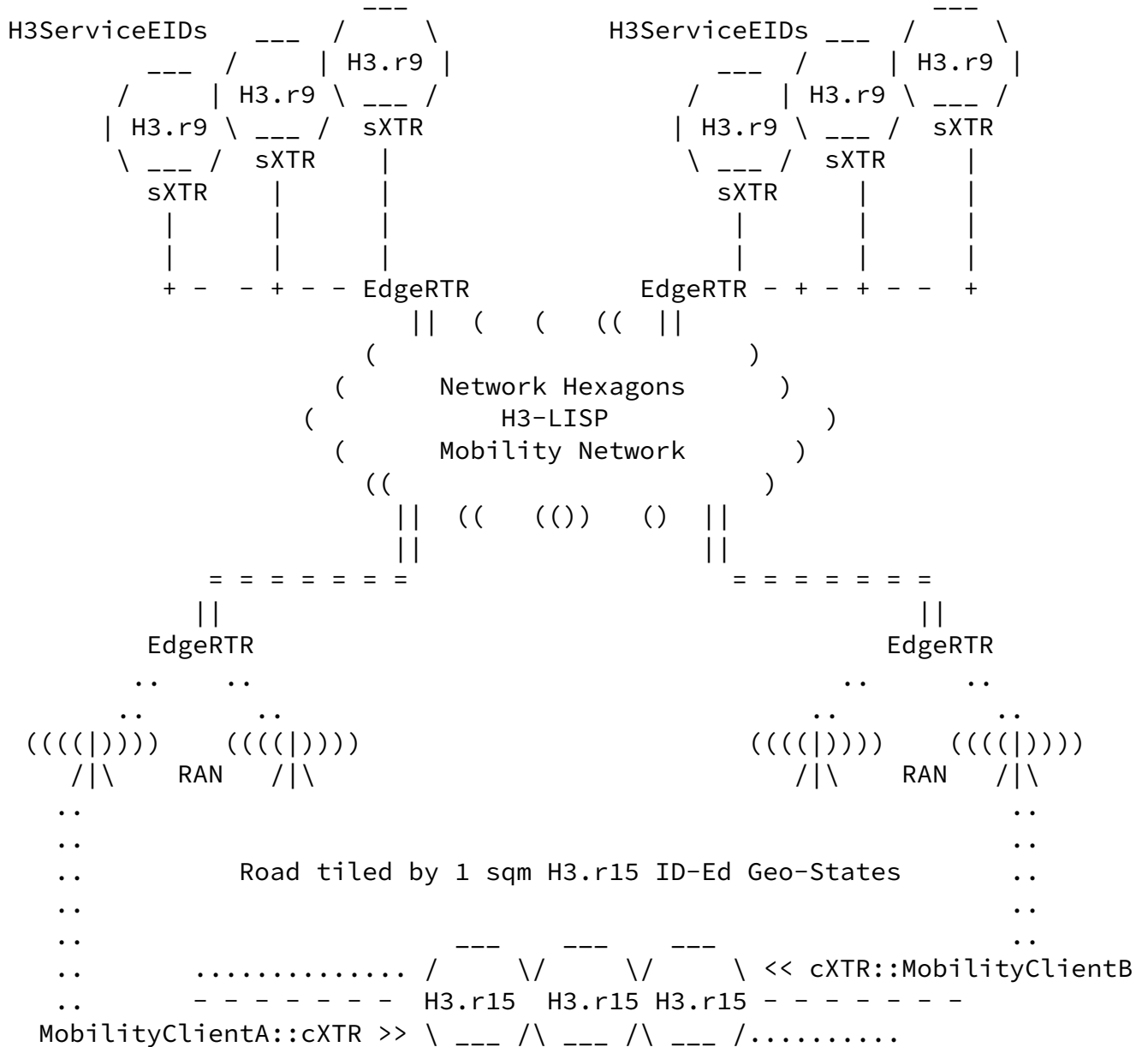
To summarize the H3-LISP solution outline:

- (1) MicroPartition: 64bit indexed geo-spatial H3.r15 road-tiles
- (2) EnumState: 64bit state values compile tile condition representation
- (3) Aggregation: H3.r9 H3ServiceEID group individual H3.r15 road-tiles
- (4) Channels: H3ServiceEIDs function as multicast state update channels
- (5) Scale: H3ServiceEIDs distributed for in-network for latency-throughput
- (6) Mapped Overlay: tunneled-network routes the mobility-network traffic
- (7) Signal-free: tunneled overlay is used to map-register for mcast channels
- (8) Aggregation: tunnels used between MobilityClients/H3ServiceEIDs <> edge
- (9) Access: ClientXTRs/ServerXTRs tunnel traffic to-from the LISP EdgeRTRs
- (10) Control: EdgeRTRs register-resolve H3ServiceEIDs and mcast subscription

```

|-0-|-1-|-2-|-3-|-4-|-5-|-6-|-7-|-8-|-9-|-A-|-B-|-C-|-D-|-E-|-F-|
|                                     H3 Hexagon ID Key                                     |
|-0-|-1-|-2-|-3-|-4-|-5-|-6-|-7-|-8-|-9-|-A-|-B-|-C-|-D-|-E-|-F-|
|                                     H3 Hexagon State-Value                               |
|-----|

```



- MobilityClientA has seen MobilityClientB near future, and, vice versa
- Clients share information using addressable shared-state routed by LISP Edge
- ClientXTR (cXTR): tunnel encapsulation through access network to LISP Edge
- ServerXTR (sXTR): tunnel encapsulation through cloud network to LISP Edge
- The H3-LISP Mobility overlay starts in the cXTR and terminates in the sXTR
- The updates are routed to the appropriate tile geo-state by the LISP network

- EdgeRTRs perform multicast replication to edges and then native or to cXTRs
- Clients receive tile-by-tile geo-state updates via the multicast channels

Each H3.r9 hexagon is an EID Service with corresponding H3 hexagon ID. Bound to that service is a LISP xTR, called a ServerXTR, specified to deliver encapsulated packets to and from the H3ServiceEID and LISP Edge. EdgeRTRs are used to re-tunnel packets from MobilityClients to H3ServiceEIDs. Each H3ServiceEID is also a multicast source for updating MobilityClients on the state of the H3.r15 tiles aggregated by the H3ServiceEID.

2. Requirements Language

The key words "MUST", "MUST NOT", "REQUIRED", "SHALL", "SHALL NOT", "SHOULD", "SHOULD NOT", "RECOMMENDED", "MAY", and "OPTIONAL" in this document are to be interpreted as described in [[RFC2119](#)].

3. Definition of Terms

H3ServiceEID: Is an addressable aggregation of H3.r15 state-tiles. It is a designated source for physical world reported annotations, and an (s,g) source of multicast public-safety update channels. H3ServiceEID is itself an H3 hexagon, large enough to provide geo-spatial conditions context, but not too large as to over-burden (battery powered, cellular connected) subscribers with too much information. For Mobility Network it is H3.r9. It has a light-weight LISP protocol stack to tunnel packets aka ServerXTR. The EID is an IPv6 EID that contains the H3 64-bit address numbering scheme. See IANA consideration for details.

ServerXTR: Is a light-weight LISP protocol stack implementation that co-exists with H3ServiceEID process. When the server roams, the xTR roams with it. The ServerXTR encapsulates and decapsulates packets to/from EdgeRTRs.

MobilityClient: Is a roaming application that may be resident as part of an automobile, as part of a navigation application, part of municipal, state, or federal government command and control application, or part of live street view consumer type of application. It has a light-weight LISP protocol stack to tunnel packets aka ClientXTR.

MobilityClient EID: Is the IPv6 EID used by the Mobility Client applications to source packets. The destination of such packets are only H3ServiceEIDs. The EID format is opaque and is assigned as part of the MobilityClient network-as-a-service (NaaS) authorization.

ClientXTR: Is the light-weight LISP protocol stack implementation that is co-located with the Mobility Client application. It encapsulates packets sourced by applications to EdgeRTRs and decapsulates packets from EdgeRTRs

EdgeRTR: Is the core scale and structure of the LISP mobility network. EdgeRTRs proxy H3ServiceEIDs and MobilityClient H3ServiceEID channel

registration. EdgeRTRs aggregate MobilityClients and H3Services using tunnels to facilitate hosting-providers and mobile-hosting flexibility - for accessing the nexagon mobility network.

EdgeRTRs decapsulate packets from ClientXTRs, ServerXTRs and re-encapsulate packets to the clients and servers tunnels. EdgeRTRs glean H3ServiceEIDs and glean MobilityClient EIDs when it decapsulates packets. EdgeRTRs store H3ServiceEIDs and their own RLOC of where the H3ServiceEID is currently reachable from in the map-cache. These mappings are registered to the LISP mapping system so other EdgeRTRs know where to encapsulate for such EIDs. EdgeRTRs do not register MobilityClients' EIDs at the mapping service as these are temporary-renewed while using the mobility network. Enterprises may provide their own client facing EdgeRTRs to mask their clients geo-whereabouts while using the mobility network.

4. Deployment Assumptions

The specification described in this document makes the following deployment assumptions:

- (1) Unique 64-bit HID is associated with each H3 geo-spatial tile
- (2) MobilityClients and H3ServiceEIDs share this well known index
- (3) 64-bit BDD state value is associated with each H3-indexed tile
- (4) Tile state is compiled 16 fields of 4-bits, or max 16 enums

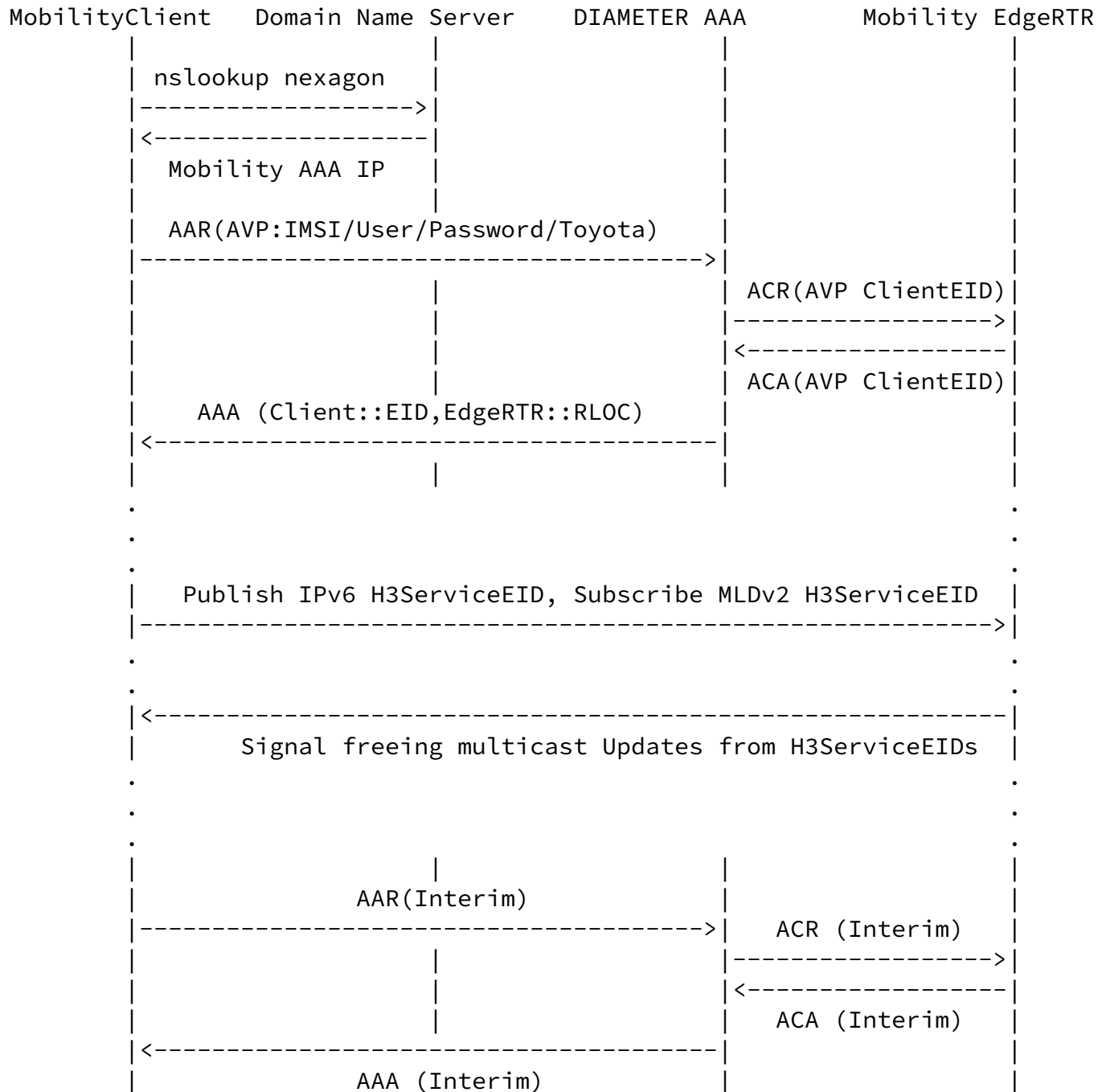
```
| -0- | -1- | -2- | -3- | -4- | -5- | -6- | -7- | -8- | -9- | -A- | -B- | -C- | -D- | -E- | -F- |  
01230123012301230123012301230123012301230123012301230123012301230123012301230123
```

Subscription of MobilityClients to the mobility network is constantly renewed while on the move and is not intended as a means of basic connectivity. This is why MobilityClients use DNS/AAA to obtain temporary EIDs and EdgeRTRs and why they use (LISP) data-plane tunnels to communicate using their temporary EIDs with the dynamically assigned EdgeRTRs.

MobilityClient are otherwise unaware of the LISP network mechanism or mapping system and simply regard the data-plane tunnels as an application-specific virtual private network (VPN) that supports IPv6 EID addressable geo-state to publish (Ucast), Subscribe (Mcast) H3Services.

In order to get access to the MobilityVPN, MobilityClients first authenticate with the MobilityVPN AAA Server. DIAMETER based AAA is typically done at the provider edge (PE) by edge gateways. However, the typical case involves several types of customer equipment connected by wireline, or by wireless to a specific service provider. The Mobility VPN, on the other hand, potentially overlays a number of wireless networks and cloud-edge providers. It also involves dozens of Car-OEM, Driving-Applications, Smart-infrastructure vendors. This is why we require clients to first go through AAA in order to get both a MobilityClientEID and EdgeRTR gateway RLOC opened.

- ClientXTR performs the following steps in order to use the mobility network:
- 1) obtain the address of the mobility network AAA server using DNS
 - 2) obtain MobilityClientEID and EdgeRTR(s) from AAA server using DIAMETER
 - 3) renew authorization from AAA while using the mobility network T1 minutes



- Using this network login and re-login method we ensure that:
- the MobilityClientEIDs serve as credentials with the specific EdgeRTRs
 - EdgeRTRs are not tightly coupled to H3.r9 areas for privacy/load-balance
 - Mobility Clients do not need to update EdgeRTRs while roaming in an area

The same EdgeRTR may serve several H3.r9 areas for smooth ride continuity, and, several EdgeRTRs may load balance an H3.r9 area with high density of

originating MobilityClient rides. When a MobilityClient ClientXTR is homed to EdgeRTR, it is able to communicate with H3ServiceEIDs.

5. Mobility Clients Network Services

The mobility network functions as a standard LISP VPN overlay.

The overlay delivers unicast and multicast packets across:

- multiple access-networks and radio-access technologies.
- multiple cloud-edge providers, public, private, hybrid.

We use data-plane XTRs in the stack of each mobility client and server. ClientXTRs and ServerXTRs are homed to one or more EdgeRTRs at the LISP edge. This structure allows for MobilityClients to "show up" at any time, behind any network provider in a given mobility network administrative domain, and for any H3ServiceEID to be instantiated, moved, or failed-over to any rack in any cloud-provider. The LISP overlay enables these roaming mobility network elements to communicate un-interrupted. This quality is insured by the LISP RFCs. The determination of identities for MobilityClients to always refer to the correct H3ServiceEID is insured by H3 geo-spatial HIDs.

There are two options for how we associate ClientXTRs with LISP EdgeRTRs:

I. Semi-random load-balancing by DNS/AAA

In this option we assume that in a given metro edge a pool of EdgeRTRs can distribute the Mobility Clients load randomly between them and that EdgeRTRs are topologically more or less equivalent. Each RTR uses LISP to tunnel traffic to and from other EdgeRTRs for MobilityClient with H3Service exchange. MobilityClients can (multi) home to EdgeRTRs throughout while moving.

II. Topological by any-cast

In this option we align an EdgeRTR with topological aggregation like in the Evolved Packet Core (EPC) solution. Mobility Clients currently roaming in an area home to that RTR and so is the H3 Server. There is only one hop across the edge overlay between clients and servers and mcast replication is more focused, but clients need to keep re-homing as they move.

To summarize the H3LISP mobility network layout:

- (1) Mobility-Clients traffic is tunneled via data-plane ClientXTRs
ClientXTRs are (multi) homed to EdgeRTR(s)
- (2) H3ServiceEID traffic is tunneled via data-plane ServerXTR
ServerXTRs are (multi) homed to EdgeRTR(s)
- (3) EdgeRTRs use mapping service to resolve Ucast HIDs to RTR RLOCs
EdgeRTRs also register to (Source, Group) H3ServiceEID multicasts


```

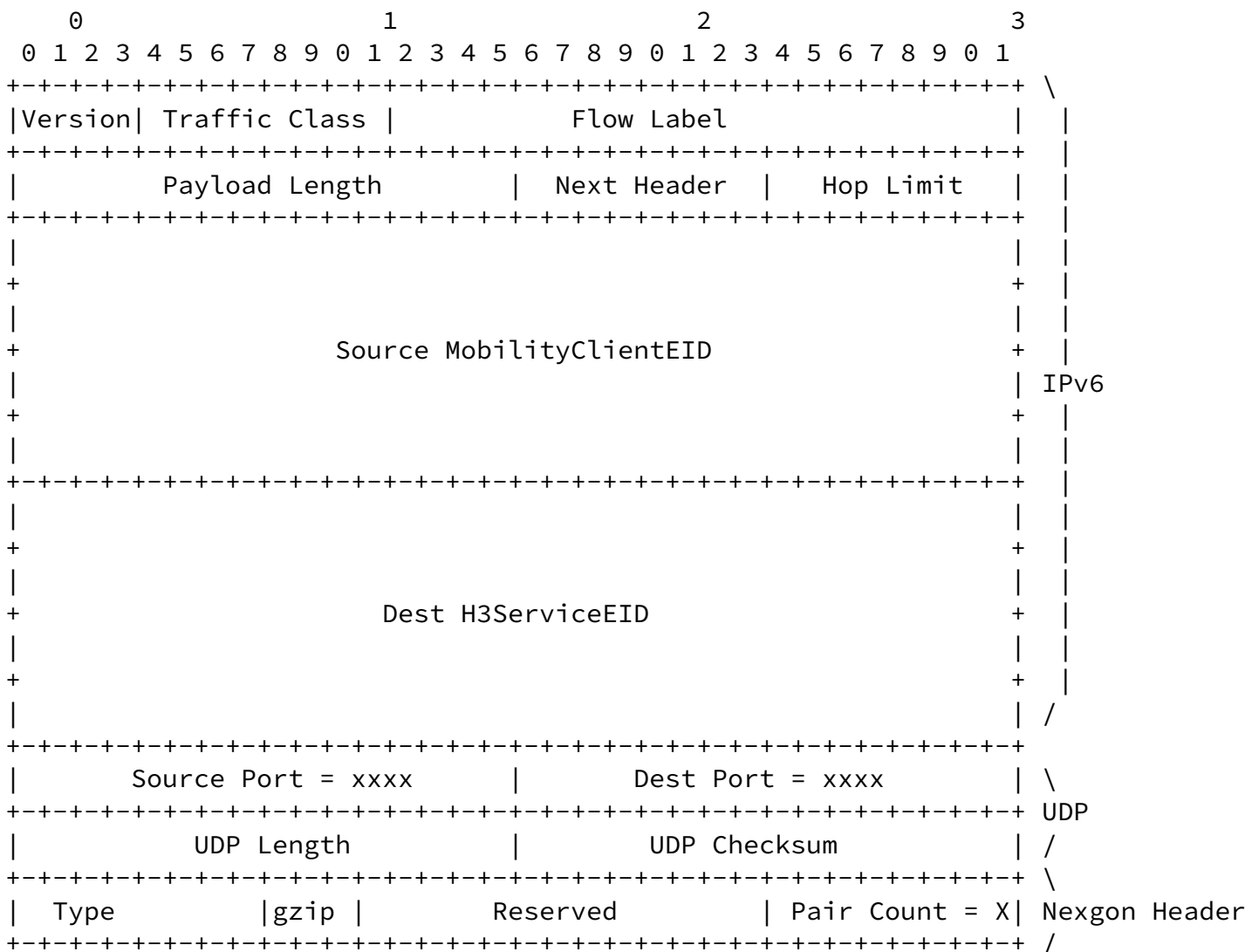
MobilityClients <> ClientXTR <Access Provider > EdgeRTR v
v
v << Map-Assisted Mobility-Network Overlay << v
v
v >> EdgeRTR <Cloud Provider> ServerXTR <> H3ServiceEID

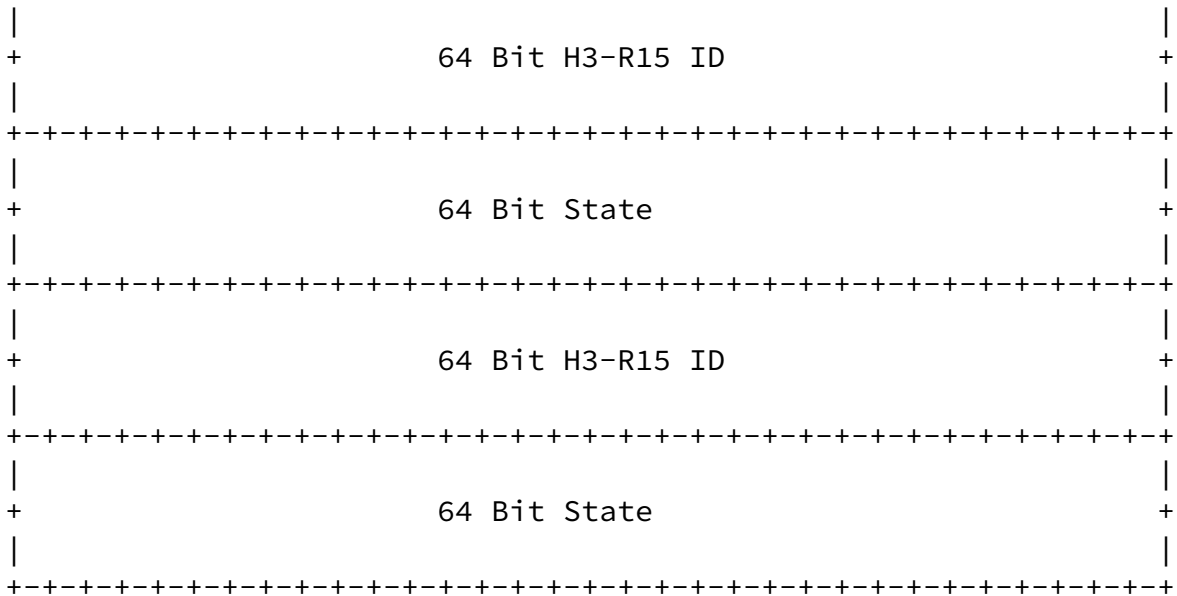
```

6. Mobility Unicast and Multicast

Which ever way a ClientXTR is homed to an Edge RTR an authenticated MobilityClient EID can send: [64bitH3.15ID :: 64bitState] annotation to the H3.r9 H3ServiceEID. The H3.r9 IP HID can be calculated by clients algorithmically form the H3.15 localized snapped-to-tile annotation.

The ClientXTR encapsulates MobilityClient EID and H3ServiceEID in a packet sourced from the ClientXTR, destined to the EdgeRTR RLOC IP, Lisp port. EdgeRTRs then re-encapsulate annotation packets either to remote EdgeRTR (optionI) or to homed H3ServiceEID ServerXTR (option2). The remote EdgeRTR aggregating H3ServiceEIDs re-encapsulates MobilityClient EID to ServerXTR and from there to the H3ServiceEID.





To Summarize Unicast:

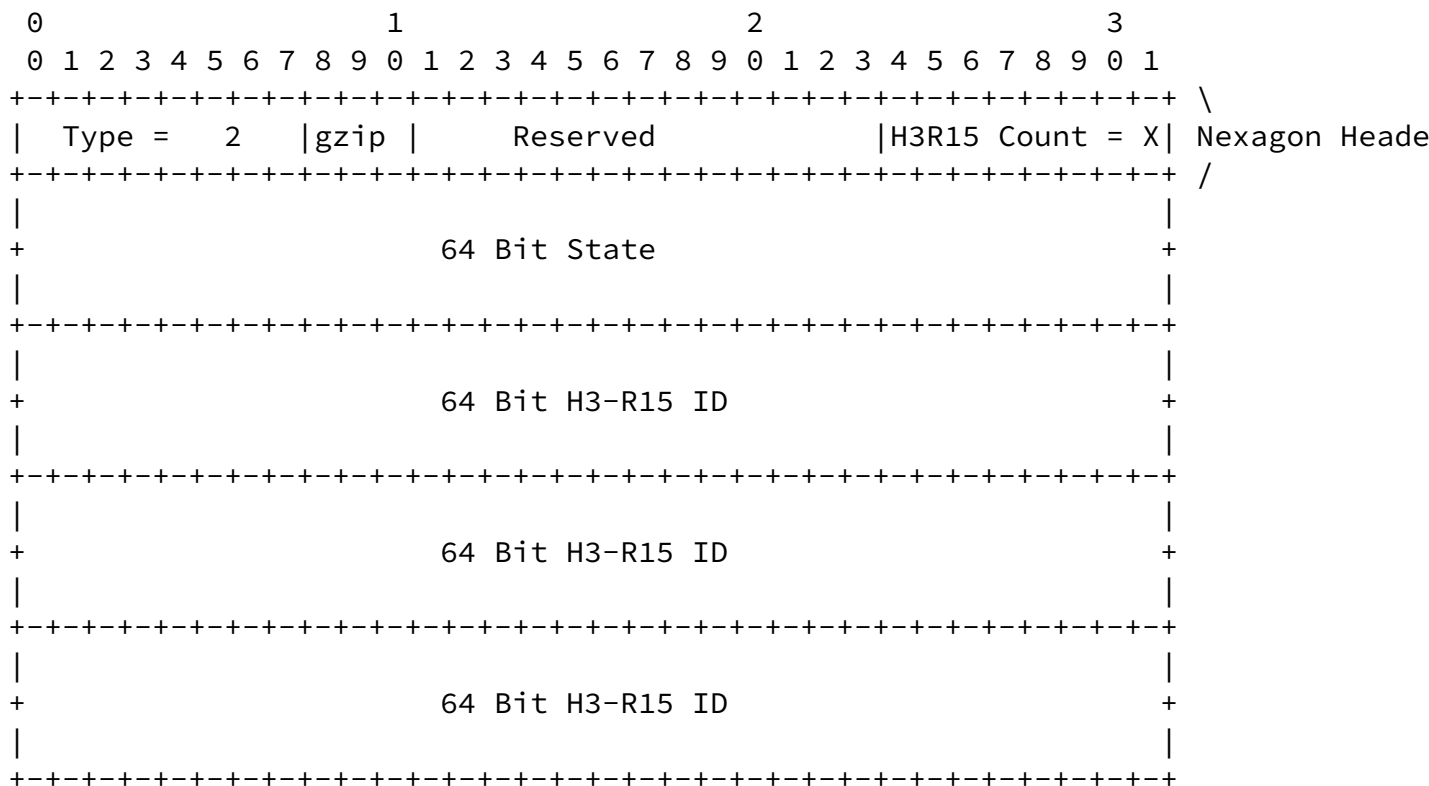
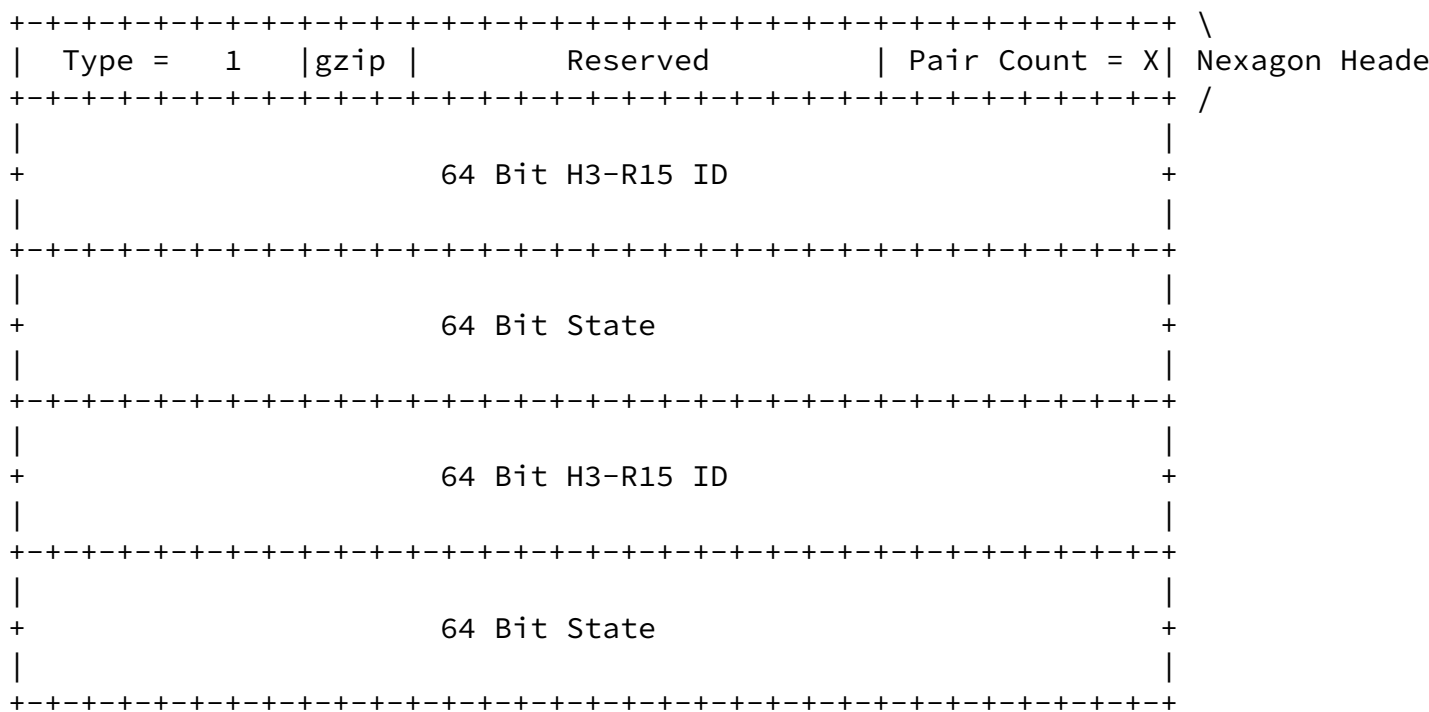
- (1) MobilityClients can send annotation state localized an H3.r15 tile
 These annotations are sent to an H3.r9 mobility H3ServiceEIDs
- (2) MobilityClient EID and H3ServiceEID HID are encapsulated:
 XTR <> RTR <> RTR <> XTR
 * RTRs can map-resolve re-tunnel HIDs
- (3) RTRs re-encapsulate original source-dest to ServerXTRs
 ServerXTRs decapsulate packets to H3ServiceEID

Each H3.r9 Server is used by clients to update H3.r15 tile state is also an I Multicast channel Source used to update subscribers on the aggregate state of the H3.r15 tiles in the H3.r9 Server.

We use [rfc8378](#) signal free multicast to implement mcast channels in the overlay. The mobility network has many channels and relatively few subscribers per each. MobilityClients driving through or subscribing to a H3.r9 area can explicitly issue an [rfc4604](#) MLDv2 in-order to subscribe, or, may be subscribed implicitly by the EdgeRTR gleaning to ucast HID dest.

The advantage of explicit client MLDv2 registration trigger to [rfc8378](#) is that the clients manage their own mobility mcast hand-over according to their location-direction moment vectors, and that it allows for otherwise silent, or non annotating clients. The advantage of EdgeRTR implicit registration is less signaling required.

MLDv2 signaling messages are encapsulated between the ClientXTR and the LISP EdgeRTR, therefore there is no requirement for the underlying network to support native multicast. If native access multicast is supported (for example



` The remote EdgeRTRs homing MobilityClients in-turn replicate the packet to the MobilityClients registered with them.

We expect an average of 600 H3.r15 tiles of the full 7^6 (~100K) possible in

H3.r9 to be part of any road. The H3.r9 server can transmit the status of all 600 or just those with meaningful state based on update SLA and policy.

To Summarize:

- (1) H3LISP Clients tune to H3.r9 mobility updates using [rfc8378](#)
H3LISP Client issue MLDv2 registration to H3.r9 HIDs
ClientXTRs encapsulate MLDv2 to EdgeRTRs who register (s,g)

- (2) ServerXTRs encapsulate updates to EdgeRTRs who map-resolve (s,g) RLOCs
EdgeRTRs replicate mobility update and tunnel to registered EdgeRTRs
Remote EdgeRTRs replicate updates to registered ClientXTRs

7. Security Considerations

The nexagon layer3 v2v/v2i/c&c network is inherently more secure and private than alternatives because of the indirection. No car or infrastructure element ever communicates directly with MobilityClients. All information is conveyed using shared / addressable geo-state. MobilityClients are supposed to receive information only from the network as a trusted broker without indication as to the origin of the information. This is an important step towards better privacy, security, extendability, and interoperability.

In order to be able to use the nexagon mobility network for a given period, the mobility clients go through a DNS/AAA stage by which they obtain their clientEID identifiers-credentials and the RLOCs of EdgeRTRs they may use as gateways to the network. This MobilityClient <> EdgeRTR is the most sensitive interface in the network as far as privacy-security.

The traffic on the MobilityClient<>EdgeRTR interface is tunneled and its UDP content may be encrypted, still, the EdgeRTR will know based on the LISP headers alone the MobilityClient RLOC and H3-R9 (~0.1sqkm) geo-spatial area a given client publishes in or subscribes to.

For this reason we envision the ability of enterprise or groups of users to "bring their own" EdgeRTRs. BYO-RTR masks individual clients' IP-RLOC to H3-R9 association and is pre-provisioned to be able to use the mapping system and be on a white-list of EdgeRTRs aggregating H3ServiceEIDs.

Beyond this sensitive hop, the mapping system does not hold MobilityClientEID and remote EdgeRTRs are only aware of MobilityClient ephemeral EIDs not their actual IP RLOC or any other mobile-device identifiers. EdgeRTRs register in the mapping (s,g) H3-R9 multicast groups, but which clients reside beyond which EdgeRTR is not in the mapping system. The H3ServiceEIDs themselves of-course decrypt and parse actual H3-R15 annotations, they also consider during this time MobilityClientEID credentials to avoid "fake-news", but again these are only

temporary EIDs allocated to clients in-order to be able to use the mobility network and not for their basic communications.

8. Acknowledgments

This work is partly funded by the ANR LISP-Lab project #ANR-13-INFR-009 (<https://lisplab.lip6.fr>).

9. IANA Considerations

I. Formal H3 to IPv6 EID mapping

II. State enum fields of H3 tiles:

Field 0x: Traffic Direction {

- 0x - null
- 1x - Lane North
- 2x - Lane North + 30
- 3x - Lane North + 60
- 4x - Lane North + 90
- 5x - Lane North + 120
- 6x - Lane North + 150
- 7x - Lane North + 180
- 8x - Lane North + 210
- 9x - Lane North + 240
- Ax - Lane North + 270
- Bx - Lane North + 300
- Cx - Lane North + 330
- Dx - junction
- Ex - shoulder
- Fx - sidewalk

}

field 1x: Persistent or Structural {

- 0x - null
- 1x - pothole light
- 2x - pothole severe
- 3x - speed-bump low
- 4x - speed-bump high
- 5x - icy
- 6x - flooded
- 7x - snow-cover
- 8x - snow-deep
- 9x - construction cone
- Ax - gravel
- Bx - choppy
- Cx - blind-curve
- Dx - steep-slope
- Ex - low-bridge

}

```
field 2x: Transient Condition {
  0x - null
  1x - pedestrian
  2x - bike scooter
  3x - stopped car / truck
  4x - moving car / truck
  5x - first responder vehicle
  6x - sudden slowdown
  7x - oversized over-height vehicle
  8x - red-light-breach
  9x - light collision (fender bender)
  Ax - hard collision / casualty
  Bx - collision course car/structure
  Cx - recent collision residues
  Dx - hard brake
  Ex - sharp cornering
  Fx - freeing-parking
}
```

```
field 3x: Traffic-light Cycle {
  0x - null
  1x - 1 seconds to green
  2x - 2 seconds to green
  3x - 3 seconds to green
  4x - 4 seconds to green
  5x - 5 seconds to green
  6x - 6 seconds to green
  7x - 7 seconds to green
  8x - 8 seconds to green
  9x - 9 seconds to green
  Ax - 10 seconds or less
  Bx - 20 seconds or less
  Cx - 30 seconds or less
  Dx - 60 seconds or less
  Ex - green now
  Fx - red now
}
```

```
field 4x: Impacted Tile from Neighboring {
  0x - null
  1x - epicenter
  2x - light yellow
  3x - yellow
  4x - light orange
  5x - orange
  6x - light red
  7x - red
  8x - light blue
  9x - blue
  Ax - green
}
```

```
Bx - light green
}
```

```
field 5x: Transient, Cycle, Impacted, Valid for Next{
  0x - null
  1x - 1sec
  2x - 5sec
  3x - 10sec
  4x - 20sec
  5x - 40sec
  6x - 60sec
  7x - 2min
  8x - 3min
  9x - 4min
  Ax - 5min
  Bx - 10min
  Cx - 15min
  Dx - 30min
  Ex - 60min
  Fx - 24hours
}
```

```
field 6x: LaneRightsSigns {
  0x - null
  1x - yield
  2x - speedLimit
  3x - straightOnly
  4x - noStraight
  5x - rightOnly
  6x - noRight
  7x - rightStraight
  8x - leftOnly
  9x - leftStraight
  Ax - noLeft
  Bx - noUTurn
  Cx - noLeftU
  Dx - bikeLane
  Ex - HOVLane
  Fx - Stop
}
```

```
field 7x: MovementSigns {
  0x - null
  1x - keepRight
  2x - keepLeft
  3x - stayInLane
  4x - doNotEnter
  5x - noTrucks
  6x - noBikes
  7x - noPeds
  8x - oneWay
```


- 9x - parking
- Ax - noParking
- Bx - noStanding
- Cx - noPassing
- Dx - loadingZone
- Ex - railCross
- Fx - schoolZone

field 8x: CurvesIntersectSigns {

- 0x - null
- 1x - turnsLeft
- 2x - turnsRight
- 3x - curvesLeft
- 4x - curvesRight
- 5x - reversesLeft
- 6x - reversesRight
- 7x - windingRoad
- 8x - hairPin
- 9x - pretzelTurn
- Ax - crossRoads
- Bx - crossT
- Cx - crossY
- Dx - circle
- Ex - laneEnds
- Fx - roadNarrows

field 9x: Current Tile Speed {

- 0x - null
- 1x - < 5kmh
- 2x - < 10kmh
- 3x - < 15kmh
- 4x - < 20kmh
- 5x - < 30kmh
- 6x - < 40kmh
- 7x - < 50kmh
- 8x - < 60kmh
- 9x - < 80kmh
- Ax - < 100kmh
- Bx - < 120kmh
- Cx - < 140kmh
- Dx - < 160kmh
- Ex - > 160kmh
- Fx - queuedTraffic

field Ax: Vehicle / Pedestrian Traffic {

- 0x - null
- 1x - probability of ped/vehicle on tile close to 100%
- 2x - 95%

3x - 90%
4x - 85%
5x - 80%
6x - 70%
7x - 60%
8x - 50%
9x - 40%
Ax - 30%
Bx - 20%
Cx - 15%
Dx - 10%
Ex - 5%
Fx - probability of ped/vehicle on tile close to 0%, empty
}

field Bx - reserved platooning lineup
field Cx - reserved objects of interest
field Dx - reserved
field Ex - reserved
field Fx - reserved

10. Normative References

- [I-D.ietf-lisp-rfc6833bis]
Fuller, V., Farinacci, D., and A. Cabellos-Aparicio,
"Locator/ID Separation Protocol (LISP) Control-Plane",
[draft-ietf-lisp-rfc6833bis-07](#) (work in progress), December
2017.
- [RFC2119] Bradner, S., "Key words for use in RFCs to Indicate
Requirement Levels", [BCP 14](#), [RFC 2119](#),
DOI 10.17487/RFC2119, March 1997,
<<https://www.rfc-editor.org/info/rfc2119>>.
- [RFC6830] Farinacci, D., Fuller, V., Meyer, D., and D. Lewis, "The
Locator/ID Separation Protocol (LISP)", [RFC 6830](#),
DOI 10.17487/RFC6830, January 2013,
<<https://www.rfc-editor.org/info/rfc6830>>.
- [RFC8378] Farinacci, D., Moreno, V., "Signal-Free Locator/ID Separation
Protocol (LISP) Multicast", [RFC8378](#),
DOI 10.17487/RFC8378, May 2018,
<<https://www.rfc-editor.org/info/rfc8378>>.

Authors' Addresses

Sharon Barkai
Nexar
CA
USA

Email: sbarkai@gmail.com

Bruno Fernandez-Ruiz
Nexar
London
UK

Email: b@getnexar.com

S ZionB
Nexar
Israel

Email: sharon@fermicloud.io

Rotem Tamir
Nexar
Israel

rotem.tamir@getnexar.com

Alberto Rodriguez-Natal
Cisco Systems
170 Tasman Drive
San Jose, CA
USA

Email: natal@cisco.com

Fabio Maino
Cisco Systems
170 Tasman Drive
San Jose, CA
USA

Email: fmaino@cisco.com

Albert Cabellos-Aparicio
Technical University of Catalonia

Barcelona
Spain

Email: acabello@ac.upc.edu

Jordi Paillissé-Vilanova
Technical University of Catalonia
Barcelona
Spain

Email: jordip@ac.upc.edu

Dino Farinacci
lispers.net
San Jose, CA
USA

Email: farinacci@gmail.com