

lpwan
Internet-Draft
Intended status: Informational
Expires: August 3, 2018

S. Farrell, Ed.
Trinity College Dublin
January 30, 2018

LPWAN Overview
draft-ietf-lpwan-overview-08

Abstract

Low Power Wide Area Networks (LPWAN) are wireless technologies with characteristics such as large coverage areas, low bandwidth, possibly very small packet and application layer data sizes and long battery life operation. This memo is an informational overview of the set of LPWAN technologies being considered in the IETF and of the gaps that exist between the needs of those technologies and the goal of running IP in LPWANs.

Status of This Memo

This Internet-Draft is submitted in full conformance with the provisions of [BCP 78](#) and [BCP 79](#).

Internet-Drafts are working documents of the Internet Engineering Task Force (IETF). Note that other groups may also distribute working documents as Internet-Drafts. The list of current Internet-Drafts is at <http://datatracker.ietf.org/drafts/current/>.

Internet-Drafts are draft documents valid for a maximum of six months and may be updated, replaced, or obsoleted by other documents at any time. It is inappropriate to use Internet-Drafts as reference material or to cite them other than as "work in progress."

This Internet-Draft will expire on August 3, 2018.

Copyright Notice

Copyright (c) 2018 IETF Trust and the persons identified as the document authors. All rights reserved.

This document is subject to [BCP 78](#) and the IETF Trust's Legal Provisions Relating to IETF Documents (<http://trustee.ietf.org/license-info>) in effect on the date of publication of this document. Please review these documents carefully, as they describe your rights and restrictions with respect to this document. Code Components extracted from this document must include Simplified BSD License text as described in [Section 4.e](#) of

the Trust Legal Provisions and are provided without warranty as described in the Simplified BSD License.

Table of Contents

- [1. Introduction](#) [3](#)
- [2. LPWAN Technologies](#) [3](#)
 - [2.1. LoRaWAN](#) [4](#)
 - [2.1.1. Provenance and Documents](#) [4](#)
 - [2.1.2. Characteristics](#) [4](#)
 - [2.2. Narrowband IoT \(NB-IoT\)](#) [11](#)
 - [2.2.1. Provenance and Documents](#) [11](#)
 - [2.2.2. Characteristics](#) [11](#)
 - [2.3. SIGFOX](#) [15](#)
 - [2.3.1. Provenance and Documents](#) [15](#)
 - [2.3.2. Characteristics](#) [16](#)
 - [2.4. Wi-SUN Alliance Field Area Network \(FAN\)](#) [20](#)
 - [2.4.1. Provenance and Documents](#) [20](#)
 - [2.4.2. Characteristics](#) [21](#)
- [3. Generic Terminology](#) [24](#)
- [4. Gap Analysis](#) [25](#)
 - [4.1. Naive application of IPv6](#) [26](#)
 - [4.2. 6LoWPAN](#) [26](#)
 - [4.2.1. Header Compression](#) [27](#)
 - [4.2.2. Address Autoconfiguration](#) [27](#)
 - [4.2.3. Fragmentation](#) [27](#)
 - [4.2.4. Neighbor Discovery](#) [28](#)
 - [4.3. 6lo](#) [29](#)
 - [4.4. 6tisch](#) [29](#)
 - [4.5. RoHC](#) [29](#)
 - [4.6. ROLL](#) [30](#)
 - [4.7. CoAP](#) [30](#)
 - [4.8. Mobility](#) [30](#)
 - [4.9. DNS and LPWAN](#) [31](#)
- [5. Security Considerations](#) [31](#)
- [6. IANA Considerations](#) [32](#)
- [7. Contributors](#) [32](#)
- [8. Acknowledgments](#) [35](#)
- [9. Informative References](#) [35](#)
- [Appendix A. Changes](#) [40](#)
 - [A.1. From -00 to -01](#) [40](#)
 - [A.2. From -01 to -02](#) [41](#)
 - [A.3. From -02 to -03](#) [41](#)
 - [A.4. From -03 to -04](#) [41](#)
 - [A.5. From -04 to -05](#) [41](#)
 - [A.6. From -05 to -06](#) [42](#)
 - [A.7. From -06 to -07](#) [42](#)
 - [A.8. From -07 to -08](#) [42](#)

Farrell

Expires August 3, 2018

[Page 2]

Author's Address [42](#)

[1.](#) Introduction

This document provides background material and an overview of the technologies being considered in the IETF's Low Power Wide-Area Networking (LPWAN) working group. We also provide a gap analysis between the needs of these technologies and currently available IETF specifications.

Most technologies in this space aim for similar goals of supporting large numbers of very low-cost, low-throughput devices with very-low power consumption, so that even battery-powered devices can be deployed for years. LPWAN devices also tend to be constrained in their use of bandwidth, for example with limited frequencies being allowed to be used within limited duty-cycles (usually expressed as a percentage of time per-hour that the device is allowed to transmit.) And as the name implies, coverage of large areas is also a common goal. So, by and large, the different technologies aim for deployment in very similar circumstances.

What mainly distinguishes LPWANs from other constrained networks is that in LPWANs the balancing act related to power consumption/battery life, cost and bandwidth tends to prioritise doing better with respect to power and cost and we are more willing to live with extremely low bandwidth and constrained duty-cycles when making the various trade-offs required, in order to get the multiple-kilometre radio links implied by the "wide area" aspect of the LPWAN term.

Existing pilot deployments have shown huge potential and created much industrial interest in these technologies. As of today, essentially no LPWAN end-devices (other than for Wi-SUN) have IP capabilities. Connecting LPWANs to the Internet would provide significant benefits to these networks in terms of interoperability, application deployment, and management, among others. The goal of the IETF LPWAN working group is to, where necessary, adapt IETF-defined protocols, addressing schemes and naming to this particular constrained environment.

This document is largely the work of the people listed in [Section 7](#).

[2.](#) LPWAN Technologies

This section provides an overview of the set of LPWAN technologies that are being considered in the LPWAN working group. The text for each was mainly contributed by proponents of each technology.

Note that this text is not intended to be normative in any sense, but simply to help the reader in finding the relevant layer 2 specifications and in understanding how those integrate with IETF-defined technologies. Similarly, there is no attempt here to set out the pros and cons of the relevant technologies.

Note that some of the technology-specific drafts referenced below may have been updated since publication of this document.

2.1. LoRaWAN

2.1.1. Provenance and Documents

LoRaWAN is an ISM-based wireless technology for long-range low-power low-data-rate applications developed by the LoRa Alliance, a membership consortium. <<https://www.lora-alliance.org/>> This draft is based on version 1.0.2 [[LoRaSpec](#)] of the LoRa specification. That specification is publicly available and has already seen several deployments across the globe.

2.1.2. Characteristics

LoRaWAN aims to support end-devices operating on a single battery for an extended period of time (e.g., 10 years or more), extended coverage through 155 dB maximum coupling loss, and reliable and efficient file download (as needed for remote software/firmware upgrade).

LoRaWAN networks are typically organized in a star-of-stars topology in which gateways relay messages between end-devices and a central "network server" in the backend. Gateways are connected to the network server via IP links while end-devices use single-hop LoRaWAN communication that can be received at one or more gateways. Communication is generally bi-directional; uplink communication from end-devices to the network server is favored in terms of overall bandwidth availability.

Figure 1 shows the entities involved in a LoRaWAN network.

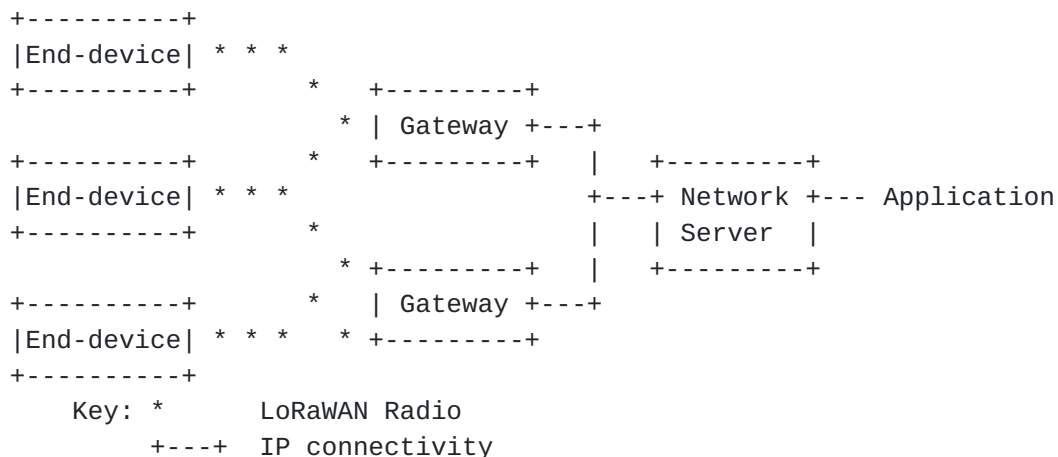


Figure 1: LoRaWAN architecture

- o End-device: a LoRa client device, sometimes called a mote. Communicates with gateways.
- o Gateway: a radio on the infrastructure-side, sometimes called a concentrator or base-station. Communicates with end-devices and, via IP, with a network server.
- o Network Server: The Network Server (NS) terminates the LoRaWAN MAC layer for the end-devices connected to the network. It is the center of the star topology.
- o Join Server: The Join Server (JS) is a server on the Internet side of an NS that processes join requests from an end-devices.
- o Uplink message: refers to communications from an end-device to a network server or application via one or more gateways.
- o Downlink message: refers to communications from a network server or application via one gateway to a single end-device or a group of end-devices (considering multicasting).
- o Application: refers to application layer code both on the end-device and running "behind" the network server. For LoRaWAN, there will generally only be one application running on most end-devices. Interfaces between the network server and application are not further described here.

In LoRaWAN networks, end-device transmissions may be received at multiple gateways, so during nominal operation a network server may see multiple instances of the same uplink message from an end-device.

The LoRaWAN network infrastructure manages the data rate and RF output power for each end-device individually by means of an adaptive data rate (ADR) scheme. End-devices may transmit on any channel allowed by local regulation at any time.

LoRaWAN radios make use of industrial, scientific and medical (ISM) bands, for example, 433MHz and 868MHz within the European Union and 915MHz in the Americas.

The end-device changes channel in a pseudo-random fashion for every transmission to help make the system more robust to interference and/or to conform to local regulations.

Figure 2 below shows that after a transmission slot a Class A device turns on its receiver for two short receive windows that are offset from the end of the transmission window. End-devices can only transmit a subsequent uplink frame after the end of the associated receive windows. When a device joins a LoRaWAN network, there are similar timeouts on parts of that process.

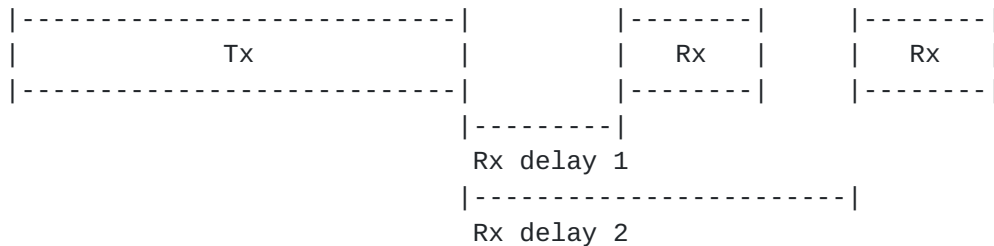


Figure 2: LoRaWAN Class A transmission and reception window

Given the different regional requirements the detailed specification for the LoRaWAN physical layer (taking up more than 30 pages of the specification) is not reproduced here. Instead and mainly to illustrate the kinds of issue encountered, in Table 1 we present some of the default settings for one ISM band (without fully explaining those here) and in Table 2 we describe maxima and minima for some parameters of interest to those defining ways to use IETF protocols over the LoRaWAN MAC layer.

Parameters	Default Value
Rx delay 1	1 s
Rx delay 2	2 s (must be RECEIVE_DELAY1 + 1s)
join delay 1	5 s
join delay 2	6 s
868MHz Default channels	3 (868.1,868.2,868.3), data rate: 0.3-5 kbps

Table 1: Default settings for EU 868MHz band

Parameter/Notes	Min	Max
Duty Cycle: some but not all ISM bands impose a limit in terms of how often an end-device can transmit. In some cases LoRaWAN is more restrictive in an attempt to avoid congestion.	1%	no-limit
EU 868MHz band data rate/frame-size	250 bits/s : 59 octets	50000 bits/s : 250 octets
US 915MHz band data rate/frame-size	980 bits/s : 19 octets	21900 bits/s : 250 octets

Table 2: Minima and Maxima for various LoRaWAN Parameters

Note that in the case of the smallest frame size (19 octets), 8 octets are required for LoRa MAC layer headers leaving only 11 octets for payload (including MAC layer options). However, those settings do not apply for the join procedure - end-devices are required to use a channel and data rate that can send the 23-byte Join-request message for the join procedure.

Uplink and downlink higher layer data is carried in a MACPayload. There is a concept of "ports" (an optional 8-bit value) to handle

Farrell

Expires August 3, 2018

[Page 7]

different applications on an end-device. Port zero is reserved for LoRaWAN specific messaging, such as the configuration of the end device's network parameters (available channels, data rates, ADR parameters, RX1/2 delay, etc.).

In addition to carrying higher layer PDUs there are Join-Request and Join-Response (aka Join-Accept) messages for handling network access. And so-called "MAC commands" (see below) up to 15 bytes long can be piggybacked in an options field ("FOpts").

There are a number of MAC commands for link and device status checking, ADR and duty-cycle negotiation, managing the RX windows and radio channel settings. For example, the link check response message allows the network server (in response to a request from an end-device) to inform an end-device about the signal attenuation seen most recently at a gateway, and to also tell the end-device how many gateways received the corresponding link request MAC command.

Some MAC commands are initiated by the network server. For example, one command allows the network server to ask an end-device to reduce its duty-cycle to only use a proportion of the maximum allowed in a region. Another allows the network server to query the end-device's power status with the response from the end-device specifying whether it has an external power source or is battery powered (in which case a relative battery level is also sent to the network server).

In order to operate nominally on a LoRaWAN network, a device needs a 32-bit device address, that is assigned when the device "joins" the network (see below for the join procedure) or that is pre-provisioned into the device. In case of roaming devices, the device address is assigned based on the 24-bit network identifier (NetID) that is allocated to the network by the LoRa Alliance. Non-roaming devices can be assigned device addresses by the network without relying on a LoRa Alliance-assigned NetID.

End-devices are assumed to work with one or a quite limited number of applications, identified by a 64-bit AppEUI, which is assumed to be a registered IEEE EUI64 value. In addition, a device needs to have two symmetric session keys, one for protecting network artifacts (port=0), the NwkSKey, and another for protecting application layer traffic, the AppSKey. Both keys are used for 128-bit AES cryptographic operations. So, one option is for an end-device to have all of the above, plus channel information, somehow (pre-)provisioned, in which case the end-device can simply start transmitting. This is achievable in many cases via out-of-band means given the nature of LoRaWAN networks. Table 3 summarizes these values.

Farrell

Expires August 3, 2018

[Page 8]

Value	Description
DevAddr	DevAddr (32-bits) = device-specific network address generated from the NetID
AppEUI	IEEE EUI64 corresponding to the join server for an application
NwksKey	128-bit network session key used with AES-CMAC
AppSKey	128-bit application session key used with AES-CTR
AppKey	128-bit application session key used with AES-ECB

Table 3: Values required for nominal operation

As an alternative, end-devices can use the LoRaWAN join procedure with a join server behind the NS in order to setup some of these values and dynamically gain access to the network. To use the join procedure, an end-device must still know the AppEUI, and in addition, a different (long-term) symmetric key that is bound to the AppEUI - this is the application key (AppKey), and is distinct from the application session key (AppSKey). The AppKey is required to be specific to the device, that is, each end-device should have a different AppKey value. And finally, the end-device also needs a long-term identifier for itself, syntactically also an EUI-64, and known as the device EUI or DevEUI. Table 4 summarizes these values.

Value	Description
DevEUI	IEEE EUI64 naming the device
AppEUI	IEEE EUI64 naming the application
AppKey	128-bit long term application key for use with AES

Table 4: Values required for join procedure

The join procedure involves a special exchange where the end-device asserts the AppEUI and DevEUI (integrity protected with the long-term AppKey, but not encrypted) in a Join-request uplink message. This is then routed to the network server which interacts with an entity that knows that AppKey to verify the Join-request. All going well, a Join-accept downlink message is returned from the network server to

Farrell

Expires August 3, 2018

[Page 9]

the end-device that specifies the 24-bit NetID, 32-bit DevAddr and channel information and from which the AppSKey and NwksKey can be derived based on knowledge of the AppKey. This provides the end-device with all the values listed in Table 3.

All payloads are encrypted and have data integrity. MAC commands, when sent as a payload (port zero), are therefore protected. MAC commands piggy-backed as frame options ("FOpts") are however sent in clear. Any MAC commands sent as frame options and not only as payload, are visible to a passive attacker but are not malleable for an active attacker due to the use of the Message Integrity Check (MIC) described below.

For LoRaWAN version 1.0.x, the NwksKey session key is used to provide data integrity between the end-device and the network server. The AppSKey is used to provide data confidentiality between the end-device and network server, or to the application "behind" the network server, depending on the implementation of the network.

All MAC layer messages have an outer 32-bit MIC calculated using AES-CMAC calculated over the ciphertext payload and other headers and using the NwksKey. Payloads are encrypted using AES-128, with a counter-mode derived from IEEE 802.15.4 using the AppSKey. Gateways are not expected to be provided with the AppSKey or NwksKey, all of the infrastructure-side cryptography happens in (or "behind") the network server. When session keys are derived from the AppKey as a result of the join procedure the Join-accept message payload is specially handled.

The long-term AppKey is directly used to protect the Join-accept message content, but the function used is not an AES-encrypt operation, but rather an AES-decrypt operation. The justification is that this means that the end-device only needs to implement the AES-encrypt operation. (The counter mode variant used for payload decryption means the end-device doesn't need an AES-decrypt primitive.)

The Join-accept plaintext is always less than 16 bytes long, so electronic code book (ECB) mode is used for protecting Join-accept messages. The Join-accept contains an AppNonce (a 24 bit value) that is recovered on the end-device along with the other Join-accept content (e.g. DevAddr) using the AES-encrypt operation. Once the Join-accept payload is available to the end-device the session keys are derived from the AppKey, AppNonce and other values, again using an ECB mode AES-encrypt operation, with the plaintext input being a maximum of 16 octets.

2.2. Narrowband IoT (NB-IoT)

2.2.1. Provenance and Documents

Narrowband Internet of Things (NB-IoT) is developed and standardized by 3GPP. The standardization of NB-IoT was finalized with 3GPP Release 13 in June 2016, and further enhancements for NB-IoT are specified in 3GPP Release 14 in 2017, for example in the form of multicast support. Further features and improvements will be developed in the following releases, but NB-IoT has been ready to be deployed since 2016, and is rather simple to deploy especially in the existing LTE networks with a software upgrade in the operator's base stations. For more information of what has been specified for NB-IoT, 3GPP specification 36.300 [[TGPP36300](#)] provides an overview and overall description of the E-UTRAN radio interface protocol architecture, while specifications 36.321 [[TGPP36321](#)], 36.322 [[TGPP36322](#)], 36.323 [[TGPP36323](#)] and 36.331 [[TGPP36331](#)] give more detailed description of MAC, Radio Link Control (RLC), Packet Data Convergence Protocol (PDCP) and Radio Resource Control (RRC) protocol layers, respectively. Note that the description below assumes familiarity with numerous 3GPP terms.

For a general overview of NB-IoT, see [[nbiot-ov](#)].

2.2.2. Characteristics

Specific targets for NB-IoT include: Less than US\$5 module cost, extended coverage of 164 dB maximum coupling loss, battery life of over 10 years, ~55000 devices per cell and uplink reporting latency of less than 10 seconds.

NB-IoT supports Half Duplex FDD operation mode with 60 kbps peak rate in uplink and 30 kbps peak rate in downlink, and a maximum transmission unit (MTU) size of 1600 bytes limited by PDCP layer (see Figure 4 for the protocol structure), which is the highest layer in the user plane, as explained later. Any packet size up to the said MTU size can be passed to the NB-IoT stack from higher layers, segmentation of the packet is performed in the RLC layer, which can segment the data to transmission blocks with size as small as 16 bits. As the name suggests, NB-IoT uses narrowbands with bandwidth of 180 kHz in both downlink and uplink. The multiple access scheme used in the downlink is OFDMA with 15 kHz sub-carrier spacing. In uplink, SC-FDMA single tone with either 15kHz or 3.75 kHz tone spacing is used, or optionally multi-tone SC-FDMA can be used with 15 kHz tone spacing.

NB-IoT can be deployed in three ways. In-band deployment means that the narrowband is deployed inside the LTE band and radio resources

are flexibly shared between NB-IoT and normal LTE carrier. In Guard-band deployment the narrowband uses the unused resource blocks between two adjacent LTE carriers. Standalone deployment is also supported, where the narrowband can be located alone in dedicated spectrum, which makes it possible for example to reframe a GSM carrier at 850/900 MHz for NB-IoT. All three deployment modes are used in licensed frequency bands. The maximum transmission power is either 20 or 23 dBm for uplink transmissions, while for downlink transmission the eNodeB may use higher transmission power, up to 46 dBm depending on the deployment.

A maximum coupling loss (MCL) target for NB-IoT coverage enhancements defined by 3GPP is 164 dB. With this MCL, the performance of NB-IoT in downlink varies between 200 bps and 2-3 kbps, depending on the deployment mode. Stand-alone operation may achieve the highest data rates, up to few kbps, while in-band and guard-band operations may reach several hundreds of bps. NB-IoT may even operate with MCL higher than 170 dB with very low bit rates.

For signaling optimization, two options are introduced in addition to legacy LTE RRC connection setup; mandatory Data-over-NAS (Control Plane optimization, solution 2 in [TGPP23720]) and optional RRC Suspend/Resume (User Plane optimization, solution 18 in [TGPP23720]). In the control plane optimization the data is sent over Non-Access Stratum, directly to/from Mobility Management Entity (MME) (see Figure 3 for the network architecture) in the core network to the User Equipment (UE) without interaction from the base station. This means there are no Access Stratum security or header compression provided by the PDCP layer in the eNodeB, as the Access Stratum is bypassed, and only limited RRC procedures. RoHC based header compression may still optionally be provided and terminated in MME.

The RRC Suspend/Resume procedures reduce the signaling overhead required for UE state transition from RRC Idle to RRC Connected mode compared to legacy LTE operation in order to have quicker user plane transaction with the network and return to RRC Idle mode faster.

In order to prolong device battery life, both power-saving mode (PSM) and extended DRX (eDRX) are available to NB-IoT. With eDRX the RRC Connected mode DRX cycle is up to 10.24 seconds and in RRC Idle the eDRX cycle can be up to 3 hours. In PSM the device is in a deep sleep state and only wakes up for uplink reporting, after which there is a window, configured by the network, during which the device receiver is open for downlink connectivity, or for periodical "keep-alive" signaling (PSM uses periodic TAU signaling with additional reception window for downlink reachability).

Farrell

Expires August 3, 2018

[Page 14]

there is no more traffic in order to preserve UE battery life and radio resources. However, a new feature was introduced for NB-IoT, as mentioned earlier, which allows data to be transmitted from the MME directly to the UE transparently to the eNodeB, thus bypassing AS functions.

Packet Data Convergence Protocol's (PDCP) [[TGPP36323](#)] main services in control plane are transfer of control plane data, ciphering and integrity protection.

Radio Link Control protocol (RLC) [[TGPP36322](#)] performs transfer of upper layer PDUs and optionally error correction with Automatic Repeat reQuest (ARQ), concatenation, segmentation, and reassembly of RLC SDUs, in-sequence delivery of upper layer PDUs, duplicate detection, RLC SDU discard, RLC-re-establishment and protocol error detection and recovery.

Medium Access Control protocol (MAC) [[TGPP36321](#)] provides mapping between logical channels and transport channels, multiplexing of MAC SDUs, scheduling information reporting, error correction with HARQ, priority handling and transport format selection.

Physical layer [[TGPP36201](#)] provides data transport services to higher layers. These include error detection and indication to higher layers, FEC encoding, HARQ soft-combining, rate matching and mapping of the transport channels onto physical channels, power weighting and modulation of physical channels, frequency and time synchronization and radio characteristics measurements.

User plane is responsible for transferring the user data through the Access Stratum. It interfaces with IP and the highest layer of user plane is PDCP, which in user plane performs header compression using Robust Header Compression (RoHC), transfer of user plane data between eNodeB and UE, ciphering and integrity protection. Similar to control plane, lower layers in user plane include RLC, MAC and physical layer performing the same tasks as in control plane.

[2.3.](#) SIGFOX

[2.3.1.](#) Provenance and Documents

The SIGFOX LPWAN is in line with the terminology and specifications being defined by ETSI [[etsi_unb](#)]. As of today, SIGFOX's network has been fully deployed in 12 countries, with ongoing deployments on 26 other countries, giving in total a geography of 2 million square kilometers, containing 512 million people.

2.3.2. Characteristics

SIGFOX LPWAN autonomous battery-operated devices send only a few bytes per day, week or month, in principle allowing them to remain on a single battery for up to 10-15 years. Hence, the system is designed as to allow devices to last several years, sometimes even buried underground.

Since the radio protocol is connection-less and optimized for uplink communications, the capacity of a SIGFOX base station depends on the number of messages generated by devices, and not on the actual number of devices. Likewise, the battery life of devices depends on the number of messages generated by the device. Depending on the use case, devices can vary from sending less than one message per device per day, to dozens of messages per device per day.

The coverage of the cell depends on the link budget and on the type of deployment (urban, rural, etc.). The radio interface is compliant with the following regulations:

Spectrum allocation in the USA [[fcc_ref](#)]

Spectrum allocation in Europe [[etsi_ref](#)]

Spectrum allocation in Japan [[arib_ref](#)]

The SIGFOX radio interface is also compliant with the local regulations of the following countries: Australia, Brazil, Canada, Kenya, Lebanon, Mauritius, Mexico, New Zealand, Oman, Peru, Singapore, South Africa, South Korea, and Thailand.

The radio interface is based on Ultra Narrow Band (UNB) communications, which allow an increased transmission range by spending a limited amount of energy at the device. Moreover, UNB allows a large number of devices to coexist in a given cell without significantly increasing the spectrum interference.

Both uplink and downlink are supported, although the system is optimized for uplink communications. Due to spectrum optimizations, different uplink and downlink frames and time synchronization methods are needed.

The main radio characteristics of the UNB uplink transmission are:

- o Channelization mask: 100 Hz / 600 Hz (depending on the region)
- o Uplink baud rate: 100 baud / 600 baud (depending on the region)

- o Modulation scheme: DBPSK
- o Uplink transmission power: compliant with local regulation
- o Link budget: 155 dB (or better)
- o Central frequency accuracy: not relevant, provided there is no significant frequency drift within an uplink packet transmission

For example, in Europe the UNB uplink frequency band is limited to 868.00 to 868.60 MHz, with a maximum output power of 25 mW and a duty cycle of 1%.

The format of the uplink frame is the following:

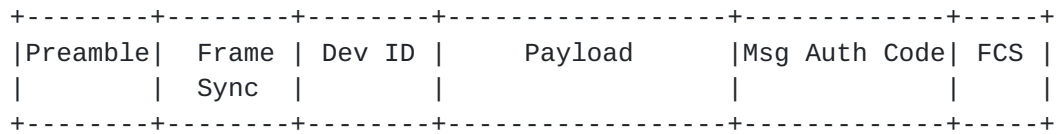


Figure 5: Uplink Frame Format

The uplink frame is composed of the following fields:

- o Preamble: 19 bits
- o Frame sync and header: 29 bits
- o Device ID: 32 bits
- o Payload: 0-96 bits
- o Authentication: 16-40 bits
- o Frame check sequence: 16 bits (CRC)

The main radio characteristics of the UNB downlink transmission are:

- o Channelization mask: 1.5 kHz
- o Downlink baud rate: 600 baud
- o Modulation scheme: GFSK
- o Downlink transmission power: 500 mW / 4W (depending on the region)
- o Link budget: 153 dB (or better)

- o Central frequency accuracy: the center frequency of downlink transmission is set by the network according to the corresponding uplink transmission

For example, in Europe the UNB downlink frequency band is limited to 869.40 to 869.65 MHz, with a maximum output power of 500 mW with 10% duty cycle.

The format of the downlink frame is the following:

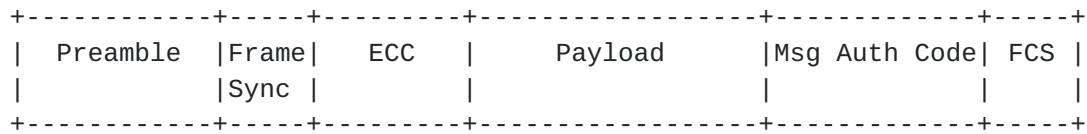


Figure 6: Downlink Frame Format

The downlink frame is composed of the following fields:

- o Preamble: 91 bits
- o Frame sync and header: 13 bits
- o Error Correcting Code (ECC): 32 bits
- o Payload: 0-64 bits
- o Authentication: 16 bits
- o Frame check sequence: 8 bits (CRC)

The radio interface is optimized for uplink transmissions, which are asynchronous. Downlink communications are achieved by devices querying the network for available data.

A device willing to receive downlink messages opens a fixed window for reception after sending an uplink transmission. The delay and duration of this window have fixed values. The network transmits the downlink message for a given device during the reception window, and the network also selects the base station (BS) for transmitting the corresponding downlink message.

Uplink and downlink transmissions are unbalanced due to the regulatory constraints on ISM bands. Under the strictest regulations, the system can allow a maximum of 140 uplink messages and 4 downlink messages per device per day. These restrictions can

be slightly relaxed depending on system conditions and the specific regulatory domain of operation.

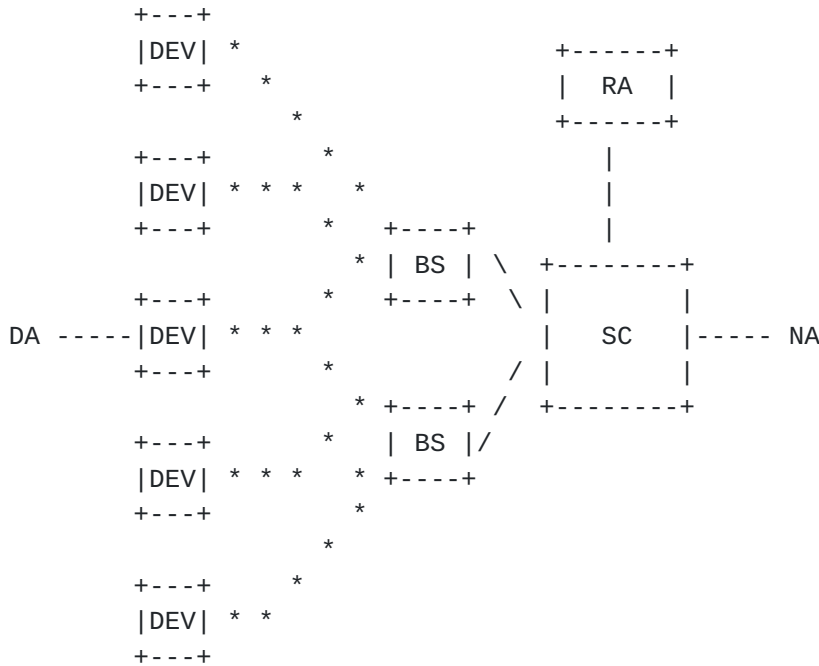


Figure 7: SIGFOX network architecture

Figure 7 depicts the different elements of the SIGFOX network architecture.

SIGFOX has a "one-contract one-network" model allowing devices to connect in any country, without any need or notion of either roaming or handover.

The architecture consists of a single cloud-based core network, which allows global connectivity with minimal impact on the end device and radio access network. The core network elements are the Service Center (SC) and the Registration Authority (RA). The SC is in charge of the data connectivity between the Base Station (BS) and the Internet, as well as the control and management of the BSs and End Points. The RA is in charge of the End Point network access authorization.

The radio access network is comprised of several BSs connected directly to the SC. Each BS performs complex L1/L2 functions, leaving some L2 and L3 functionalities to the SC.

The Devices (DEVs) or End Points (EPs) are the objects that communicate application data between local device applications (DAs) and network applications (NAs).

Devices (or EPs) can be static or nomadic, as they associate with the SC and they do not attach to any specific BS. Hence, they can communicate with the SC through one or multiple BSs.

Due to constraints in the complexity of the Device, it is assumed that Devices host only one or very few device applications, which most of the time communicate each to a single network application at a time.

The radio protocol authenticates and ensures the integrity of each message. This is achieved by using a unique device ID and an AES-128 based message authentication code, ensuring that the message has been generated and sent by the device with the ID claimed in the message. Application data can be encrypted at the application level or not, depending on the criticality of the use case, to provide a balance between cost and effort vs. risk. AES-128 in counter mode is used for encryption. Cryptographic keys are independent for each device. These keys are associated with the device ID and separate integrity and confidentiality keys are pre-provisioned. A confidentiality key is only provisioned if confidentiality is to be used. At the time of writing the algorithms and keying details for this are not published.

2.4. Wi-SUN Alliance Field Area Network (FAN)

Text here is via personal communication from Bob Heile (bheile@ieee.org) and was authored by Bob and Sum Chin Sean. Duffy (paduffy@cisco.com) also provided additional comments/input on this section.

2.4.1. Provenance and Documents

The Wi-SUN Alliance <<https://www.wi-sun.org/>> is an industry alliance for smart city, smart grid, smart utility, and a broad set of general IoT applications. The Wi-SUN Alliance Field Area Network (FAN) profile is open standards based (primarily on IETF and IEEE802 standards) and was developed to address applications like smart municipality/city infrastructure monitoring and management, electric vehicle (EV) infrastructure, advanced metering infrastructure (AMI), distribution automation (DA), supervisory control and data acquisition (SCADA) protection/management, distributed generation monitoring and management, and many more IoT applications. Additionally, the Alliance has created a certification program to promote global multi-vendor interoperability.

The FAN profile is specified within ANSI/TIA as an extension of work previously done on Smart Utility Networks. [[ANSI-4957-000](#)]. Updates to those specifications intended to be published in 2017 will contain details of the FAN profile. A current snapshot of the work to

produce that profile is presented in [[wisun-pressie1](#)] [[wisun-pressie2](#)] .

2.4.2. Characteristics

The FAN profile is an IPv6 wireless mesh network with support for enterprise level security. The frequency hopping wireless mesh topology aims to offer superior network robustness, reliability due to high redundancy, good scalability due to the flexible mesh configuration and good resilience to interference. Very low power modes are in development permitting long term battery operation of network nodes.

The following list contains some overall characteristics of Wi-SUN that are relevant to LPWAN applications.

- o Coverage: The range of Wi-SUN FAN is typically 2 -- 3 km in line of sight, matching the needs of neighborhood area networks, campus area networks, or corporate area networks. The range can also be extended via multi-hop networking.
- o High bandwidth, low link latency: Wi-SUN supports relatively high bandwidth, i.e. up to 300 kbps [FANTPS], enables remote update and upgrade of devices so that they can handle new applications, extending their working life. Wi-SUN supports LPWAN IoT applications that require on-demand control by providing low link latency (0.02s) and bi-directional communication.
- o Low power consumption: FAN devices draw less than 2 uA when resting and only 8 mA when listening. Such devices can maintain a long lifetime even if they are frequently listening. For instance, suppose the device transmits data for 10 ms once every 10 s; theoretically, a battery of 1000 mAh can last more than 10 years.
- o Scalability: Tens of millions Wi-SUN FAN devices have been deployed in urban, suburban and rural environments, including deployments with more than 1 million devices.

A FAN contains one or more networks. Within a network, nodes assume one of three operational roles. First, each network contains a Border Router providing Wide Area Network (WAN) connectivity to the network. The Border Router maintains source routing tables for all nodes within its network, provides node authentication and key management services, and disseminates network-wide information such as broadcast schedules. Secondly, Router nodes, which provide upward and downward packet forwarding (within a network). A Router also provides services for relaying security and address management

protocols. Lastly, Leaf nodes provide minimum capabilities: discovering and joining a network, send/receive IPv6 packets, etc. A low power network may contain a mesh topology with Routers at the edges that construct a star topology with Leaf nodes.

The FAN profile is based on various open standards developed by the IETF (including [[RFC0768](#)], [[RFC2460](#)], [[RFC4443](#)] and [[RFC6282](#)]), IEEE802 (including [[IEEE-802-15-4](#)] and [[IEEE-802-15-9](#)]) and ANSI/TIA [[ANSI-4957-210](#)] for low power and lossy networks.

The FAN profile specification provides an application-independent IPv6-based transport service. There are two possible methods for establishing the IPv6 packet routing: Routing Protocol for Low-Power and Lossy Networks (RPL) at the Network layer is mandatory, and Multi-Hop Delivery Service (MHDS) is optional at the Data Link layer. Table 5 provides an overview of the FAN network stack.

The Transport service is based on User Datagram Protocol (UDP) defined in [RFC768](#) or Transmission Control Protocol (TCP) defined in [RFC793](#).

The Network service is provided by IPv6 as defined in [RFC2460](#) with 6LoWPAN adaptation as defined in [RFC4944](#) and [RFC6282](#). ICMPv6, as defined in [RFC4443](#), is used for the control plane during information exchange.

The Data Link service provides both control/management of the Physical layer and data transfer/management services to the Network layer. These services are divided into Media Access Control (MAC) and Logical Link Control (LLC) sub-layers. The LLC sub-layer provides a protocol dispatch service which supports 6LoWPAN and an optional MAC sub-layer mesh service. The MAC sub-layer is constructed using data structures defined in IEEE802.15.4-2015. Multiple modes of frequency hopping are defined. The entire MAC payload is encapsulated in an IEEE802.15.9 Information Element to enable LLC protocol dispatch between upper layer 6LoWPAN processing, MAC sublayer mesh processing, etc. These areas will be expanded once IEEE802.15.12 is completed.

The PHY service is derived from a sub-set of the SUN FSK specification in IEEE802.15.4-2015. The 2-FSK modulation schemes, with channel spacing range from 200 to 600 kHz, are defined to provide data rates from 50 to 300 kbps, with Forward Error Coding (FEC) as an optional feature. Towards enabling ultra-low-power applications, the PHY layer design is also extendable to low energy and critical infrastructure monitoring networks.

Layer	Description
IPv6 protocol suite	TCP/UDP 6LoWPAN Adaptation + Header Compression DHCPv6 for IP address management. Routing using RPL. ICMPv6. Unicast and Multicast forwarding.
MAC based on IEEE 802.15.4e + IE extensions	Frequency hopping Discovery and Join Protocol Dispatch (IEEE 802.15.9) Several Frame Exchange patterns Optional Mesh Under routing (ANSI 4957.210).
PHY based on 802.15.4g	Various data rates and regions
Security	802.1X/EAP-TLS/PKI Authentication. TLS_ECDHE_ECDSA_WITH_AES_128_CCM_8 required for EAP-TLS. 802.11i Group Key Management Frame security is implemented as AES-CCM* as specified in IEEE 802.15.4 Optional ETSI-TS-102-887-2 Node 2 Node Key Management

Table 5: Wi-SUN Stack Overview

The FAN security supports Data Link layer network access control, mutual authentication, and establishment of a secure pairwise link

between a FAN node and its Border Router, which is implemented with an adaptation of IEEE802.1X and EAP-TLS as described in [[RFC5216](#)] using secure device identity as described in IEEE802.1AR. Certificate formats are based upon [[RFC5280](#)]. A secure group link between a Border Router and a set of FAN nodes is established using an adaptation of the IEEE802.11 Four-Way Handshake. A set of 4 group keys are maintained within the network, one of which is the current transmit key. Secure node to node links are supported between one-hop FAN neighbors using an adaptation of ETSI-TS-102-887-2. FAN nodes implement Frame Security as specified in IEEE802.15.4-2015.

3. Generic Terminology

LPWAN technologies, such as those discussed above, have similar architectures but different terminology. We can identify different types of entities in a typical LPWAN network:

- o End-Devices are the devices or the "things" (e.g. sensors, actuators, etc.); they are named differently in each technology (End Device, User Equipment or End Point). There can be a high density of end devices per radio gateway.
- o The Radio Gateway, which is the end point of the constrained link. It is known as: Gateway, Evolved Node B or Base station.
- o The Network Gateway or Router is the interconnection node between the Radio Gateway and the Internet. It is known as: Network Server, Serving GW or Service Center.
- o LPWAN-AAA Server, which controls the user authentication, the applications. It is known as: Join-Server, Home Subscriber Server or Registration Authority. (We use the term LPWAN-AAA server because we're not assuming that this entity speaks RADIUS or Diameter as many/most AAA servers do, but equally we don't want to rule that out, as the functionality will be similar.
- o At last we have the Application Server, known also as Packet Data Node Gateway or Network Application.

Function/ Technology	LORAWAN	NB-IOT	SIGFOX	Wi-SUN	IETF
Sensor, Actuator, device, object	End Device	User Equipment	End Point	Leaf Node	Device (Dev)
Transceiver Antenna	Gateway	Evolved Node B	Base Station	Router Node	RADIO Gateway
Server	Network Server	PDN GW/ SCEF	Service Center	Border Router	Network Gateway (NGW)
Security Server	Join Server	Home Subscriber Server	Registration Authority	Authent. Server	LPWAN- AAA SERVER
Application	Application Server	Application Server	Network Application	Appli- cation	Application (App)

Figure 8: LPWAN Architecture Terminology

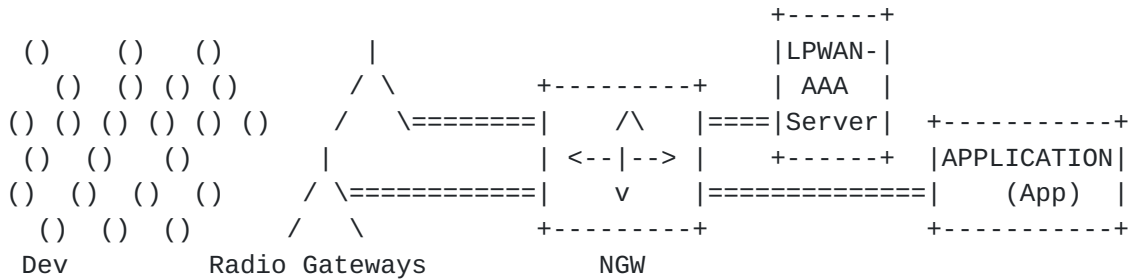


Figure 9: LPWAN Architecture

In addition to the names of entities, LPWANs are also subject to possibly regional frequency band regulations. Those may include restrictions on the duty-cycle, for example requiring that hosts only transmit for a certain percentage of each hour.

4. Gap Analysis

This section considers some of the gaps between current LPWAN technologies and the goals of the LPWAN working group. Many of the generic considerations described in [RFC7452] will also apply in LPWANs, as end-devices can also be considered as a subclass of (so-

called) "smart objects." In addition, LPWAN device implementers will also need to consider the issues relating to firmware updates described in [[RFC8240](#)].

4.1. Naive application of IPv6

IPv6 [[RFC8200](#)] has been designed to allocate addresses to all the nodes connected to the Internet. Nevertheless, the header overhead of at least 40 bytes introduced by the protocol is incompatible with LPWAN constraints. If IPv6 with no further optimization were used, several LPWAN frames could be needed just to carry the IP header. Another problem arises from IPv6 MTU requirements, which require the layer below to support at least 1280 byte packets [[RFC2460](#)].

IPv6 has a configuration protocol - neighbor discovery protocol, (NDP) [[RFC4861](#)]). For a node to learn network parameters NDP generates regular traffic with a relatively large message size that does not fit LPWAN constraints.

In some LPWAN technologies, layer two multicast is not supported. In that case, if the network topology is a star, the solution and considerations of [section 3.2.5 of \[\[RFC7668\]\(#\)\]](#) may be applied.

Other key protocols such as DHCPv6 [[RFC3315](#)], IPsec [[RFC4301](#)] and TLS [[RFC5246](#)] have similarly problematic properties in this context. Each of those require relatively frequent round-trips between the host and some other host on the network. In the case of cryptographic protocols such as IPsec and TLS, in addition to the round-trips required for secure session establishment, cryptographic operations can require padding and addition of authenticators that are problematic when considering LPWAN lower layers. Note that mains powered Wi-SUN mesh router nodes will typically be more resource capable than the other LPWAN techs discussed. This can enable use of more "chatty" protocols for some aspects of Wi-SUN.

4.2. 6LoWPAN

Several technologies that exhibit significant constraints in various dimensions have exploited the 6LoWPAN suite of specifications [[RFC4944](#)], [[RFC6282](#)], [[RFC6775](#)] to support IPv6 [I-D.hong-6lo-use-cases]. However, the constraints of LPWANs, often more extreme than those typical of technologies that have (re)used 6LoWPAN, constitute a challenge for the 6LoWPAN suite in order to enable IPv6 over LPWAN. LPWANs are characterized by device constraints (in terms of processing capacity, memory, and energy availability), and specially, link constraints, such as:

- o very low layer two payload size (from ~10 to ~100 bytes),

- o very low bit rate (from ~10 bit/s to ~100 kbit/s), and
- o in some specific technologies, further message rate constraints (e.g. between ~0.1 message/minute and ~1 message/minute) due to regional regulations that limit the duty cycle.

4.2.1. Header Compression

6LoWPAN header compression reduces IPv6 (and UDP) header overhead by eliding header fields when they can be derived from the link layer, and by assuming that some of the header fields will frequently carry expected values. 6LoWPAN provides both stateless and stateful header compression. In the latter, all nodes of a 6LoWPAN are assumed to share compression context. In the best case, the IPv6 header for link-local communication can be reduced to only 2 bytes. For global communication, the IPv6 header may be compressed down to 3 bytes in the most extreme case. However, in more practical situations, the smallest IPv6 header size may be 11 bytes (one address prefix compressed) or 19 bytes (both source and destination prefixes compressed). These headers are large considering the link layer payload size of LPWAN technologies, and in some cases are even bigger than the LPWAN PDUs. 6LoWPAN has been initially designed for IEEE 802.15.4 networks with a frame size up to 127 bytes and a throughput of up to 250 kb/s, which may or may not be duty-cycled.

4.2.2. Address Autoconfiguration

Traditionally, Interface Identifiers (IIDs) have been derived from link layer identifiers [[RFC4944](#)]. This allows optimizations such as header compression. Nevertheless, recent guidance has given advice on the fact that, due to privacy concerns, 6LoWPAN devices should not be configured to embed their link layer addresses in the IID by default.

4.2.3. Fragmentation

As stated above, IPv6 requires the layer below to support an MTU of 1280 bytes [[RFC2460](#)]. Therefore, given the low maximum payload size of LPWAN technologies, fragmentation is needed.

If a layer of an LPWAN technology supports fragmentation, proper analysis has to be carried out to decide whether the fragmentation functionality provided by the lower layer or fragmentation at the adaptation layer should be used. Otherwise, fragmentation functionality shall be used at the adaptation layer.

6LoWPAN defined a fragmentation mechanism and a fragmentation header to support the transmission of IPv6 packets over IEEE 802.15.4

networks [[RFC4944](#)]. While the 6LoWPAN fragmentation header is appropriate for IEEE 802.15.4-2003 (which has a frame payload size of 81-102 bytes), it is not suitable for several LPWAN technologies, many of which have a maximum payload size that is one order of magnitude below that of IEEE 802.15.4-2003. The overhead of the 6LoWPAN fragmentation header is high, considering the reduced payload size of LPWAN technologies and the limited energy availability of the devices using such technologies. Furthermore, its datagram offset field is expressed in increments of eight octets. In some LPWAN technologies, the 6LoWPAN fragmentation header plus eight octets from the original datagram exceeds the available space in the layer two payload. In addition, the MTU in the LPWAN networks could be variable which implies a variable fragmentation solution.

4.2.4. Neighbor Discovery

6LoWPAN Neighbor Discovery [[RFC6775](#)] defined optimizations to IPv6 Neighbor Discovery [[RFC4861](#)], in order to adapt functionality of the latter for networks of devices using IEEE 802.15.4 or similar technologies. The optimizations comprise host-initiated interactions to allow for sleeping hosts, replacement of multicast-based address resolution for hosts by an address registration mechanism, multihop extensions for prefix distribution and duplicate address detection (note that these are not needed in a star topology network), and support for 6LoWPAN header compression.

6LoWPAN Neighbor Discovery may be used in not so severely constrained LPWAN networks. The relative overhead incurred will depend on the LPWAN technology used (and on its configuration, if appropriate). In certain LPWAN setups (with a maximum payload size above ~60 bytes, and duty-cycle-free or equivalent operation), an RS/RA/NS/NA exchange may be completed in a few seconds, without incurring packet fragmentation.

In other LPWANs (with a maximum payload size of ~10 bytes, and a message rate of ~0.1 message/minute), the same exchange may take hours or even days, leading to severe fragmentation and consuming a significant amount of the available network resources. 6LoWPAN Neighbor Discovery behavior may be tuned through the use of appropriate values for the default Router Lifetime, the Valid Lifetime in the PIOs, and the Valid Lifetime in the 6LoWPAN Context Option (6CO), as well as the address Registration Lifetime. However, for the latter LPWANs mentioned above, 6LoWPAN Neighbor Discovery is not suitable.

4.3. 6lo

The 6lo WG has been reusing and adapting 6LoWPAN to enable IPv6 support over link layer technologies such as Bluetooth Low Energy (BTLE), ITU-T G.9959, DECT-ULE, MS/TP-RS485, NFC IEEE 802.11ah. (See <https://tools.ietf.org/wg/6lo> for details.) These technologies are similar in several aspects to IEEE 802.15.4, which was the original 6LoWPAN target technology.

6lo has mostly used the subset of 6LoWPAN techniques best suited for each lower layer technology, and has provided additional optimizations for technologies where the star topology is used, such as BTLE or DECT-ULE.

The main constraint in these networks comes from the nature of the devices (constrained devices), whereas in LPWANs it is the network itself that imposes the most stringent constraints.

4.4. 6tisch

The 6tisch solution is dedicated to mesh networks that operate using 802.15.4e MAC with a deterministic slotted channel. The time slot channel (TSCH) can help to reduce collisions and to enable a better balance over the channels. It improves the battery life by avoiding the idle listening time for the return channel.

A key element of 6tisch is the use of synchronization to enable determinism. TSCH and 6TiSCH may provide a standard scheduling function. The LPWAN networks probably will not support synchronization like the one used in 6tisch.

4.5. RoHC

Robust header compression (RoHC) is a header compression mechanism [[RFC3095](https://tools.ietf.org/rfc/rfc3095)] developed for multimedia flows in a point to point channel. RoHC uses 3 levels of compression, each level having its own header format. In the first level, RoHC sends 52 bytes of header, in the second level the header could be from 34 to 15 bytes and in the third level header size could be from 7 to 2 bytes. The level of compression is managed by a sequence number, which varies in size from 2 bytes to 4 bits in the minimal compression. SN compression is done with an algorithm called W-LSB (Window- Least Significant Bits). This window has a 4-bit size representing 15 packets, so every 15 packets RoHC needs to slide the window in order to receive the correct sequence number, and sliding the window implies a reduction of the level of compression. When packets are lost or errored, the decompressor loses context and drops packets until a bigger header is sent with more complete information. To estimate the performance of

RoHC, an average header size is used. This average depends on the transmission conditions, but most of the time is between 3 and 4 bytes.

RoHC has not been adapted specifically to the constrained hosts and networks of LPWANs: it does not take into account energy limitations nor the transmission rate, and RoHC context is synchronised during transmission, which does not allow better compression.

4.6. ROLL

Most technologies considered by the lpwan WG are based on a star topology, which eliminates the need for routing at that layer. Future work may address additional use-cases that may require adaptation of existing routing protocols or the definition of new ones. As of the time of writing, work similar to that done in the ROLL WG and other routing protocols are out of scope of the LPWAN WG.

4.7. CoAP

CoAP [[RFC7252](#)] provides a RESTful framework for applications intended to run on constrained IP networks. It may be necessary to adapt CoAP or related protocols to take into account for the extreme duty cycles and the potentially extremely limited throughput of LPWANs.

For example, some of the timers in CoAP may need to be redefined. Taking into account CoAP acknowledgments may allow the reduction of L2 acknowledgments. On the other hand, the current work in progress in the CoRE WG where the COMI/CoOL network management interface which, uses Structured Identifiers (SID) to reduce payload size over CoAP may prove to be a good solution for the LPWAN technologies. The overhead is reduced by adding a dictionary which matches a URI to a small identifier and a compact mapping of the YANG model into the CBOR binary representation.

4.8. Mobility

LPWAN nodes can be mobile. However, LPWAN mobility is different from the one specified for Mobile IP. LPWAN implies sporadic traffic and will rarely be used for high-frequency, real-time communications. The applications do not generate a flow, they need to save energy and most of the time the node will be down.

In addition, LPWAN mobility may mostly apply to groups of devices, that represent a network in which case mobility is more a concern for the gateway than the devices. NEMO [[RFC3963](#)] Mobility or other mobile gateway solutions (such as a gateway with an LTE uplink) may be used in the case where some end-devices belonging to the same

network gateway move from one point to another such that they are not aware of being mobile.

4.9. DNS and LPWAN

The Domain Name System (DNS) DNS [[RFC1035](#)], enables applications to name things with a globally resolvable name. Many protocols use the DNS to identify hosts, for example applications using CoAP.

The DNS query/answer protocol as a pre-cursor to other communication within the time-to-live (TTL) of a DNS answer is clearly problematic in an LPWAN, say where only one round-trip per hour can be used, and with a TTL that is less than 3600. It is currently unclear whether and how DNS-like functionality might be provided in LPWANs.

5. Security Considerations

Most LPWAN technologies integrate some authentication or encryption mechanisms that were defined outside the IETF. The working group may need to do work to integrate these mechanisms to unify management. A standardized Authentication, Accounting, and Authorization (AAA) infrastructure [[RFC2904](#)] may offer a scalable solution for some of the security and management issues for LPWANs. AAA offers centralized management that may be of use in LPWANs, for example [[I-D.garcia-dime-diameter-lorawan](#)] and [[I-D.garcia-radext-radius-lorawan](#)] suggest possible security processes for a LoRaWAN network. Similar mechanisms may be useful to explore for other LPWAN technologies.

Some applications using LPWANs may raise few or no privacy considerations. For example, temperature sensors in a large office building may not raise privacy issues. However, the same sensors, if deployed in a home environment and especially if triggered due to human presence, can raise significant privacy issues - if an end-device emits (an encrypted) packet every time someone enters a room in a home, then that traffic is privacy sensitive. And the more that the existence of that traffic is visible to network entities, the more privacy sensitivities arise. At this point, it is not clear whether there are workable mitigations for problems like this - in a more typical network, one would consider defining padding mechanisms and allowing for cover traffic. In some LPWANs, those mechanisms may not be feasible. Nonetheless, the privacy challenges do exist and can be real and so some solutions will be needed. Note that many aspects of solutions in this space may not be visible in IETF specifications, but can be e.g. implementation or deployment specific.

Another challenge for LPWANs will be how to handle key management and associated protocols. In a more traditional network (e.g. the web), servers can "staple" Online Certificate Status Protocol (OCSP) responses in order to allow browsers to check revocation status for presented certificates. [RFC6961] While the stapling approach is likely something that would help in an LPWAN, as it avoids an RTT, certificates and OCSP responses are bulky items and will prove challenging to handle in LPWANs with bounded bandwidth.

6. IANA Considerations

There are no IANA considerations related to this memo.

7. Contributors

As stated above this document is mainly a collection of content developed by the full set of contributors listed below. The main input documents and their authors were:

- o Text for [Section 2.1](#) was provided by Alper Yegin and Stephen Farrell in [[I-D.farrell-lpwan-lora-overview](#)].
- o Text for [Section 2.2](#) was provided by Antti Ratilainen in [[I-D.ratilainen-lpwan-nb-iot](#)].
- o Text for [Section 2.3](#) was provided by Juan Carlos Zuniga and Benoit Ponsard in [[I-D.zuniga-lpwan-sigfox-system-description](#)].
- o Text for [Section 2.4](#) was provided via personal communication from Bob Heile (bheile@ieee.org) and was authored by Bob and Sum Chin Sean. There is no Internet draft for that at present.
- o Text for [Section 4](#) was provided by Ana Minabiru, Carles Gomez, Laurent Toutain, Josep Paradells and Jon Crowcroft in [[I-D.minaburo-lpwan-gap-analysis](#)]. Additional text from that draft is also used elsewhere above.

The full list of contributors are:

Jon Crowcroft
University of Cambridge
JJ Thomson Avenue
Cambridge, CB3 0FD
United Kingdom

Email: jon.crowcroft@cl.cam.ac.uk

Carles Gomez
UPC/i2CAT
C/Esteve Terradas, 7
Castelldefels 08860
Spain

Email: carlesgo@entel.upc.edu

Bob Heile
Wi-Sun Alliance
11 Robert Toner Blvd, Suite 5-301
North Attleboro, MA 02763
USA

Phone: +1-781-929-4832
Email: bheile@ieee.org

Ana Minaburo
Acklio
2bis rue de la Chataigneraie
35510 Cesson-Sevigne Cedex
France

Email: ana@ackl.io

Josep PARadells
UPC/i2CAT
C/Jordi Girona, 1-3
Barcelona 08034
Spain

Email: josep.paradells@entel.upc.edu

Benoit Ponsard
SIGFOX
425 rue Jean Rostand
Labege 31670
France

Email: Benoit.Ponsard@sigfox.com
URI: <http://www.sigfox.com/>

Antti Ratilainen

Ericsson
Hirsalantie 11
Jorvas 02420
Finland

Email: antti.ratilainen@ericsson.com

Chin-Sean SUM
Wi-Sun Alliance
20, Science Park Rd
Singapore 117674

Phone: +65 6771 1011
Email: sum@wi-sun.org

Laurent Toutain
Institut MINES TELECOM ; TELECOM Bretagne
2 rue de la Chataigneraie
CS 17607
35576 Cesson-Sevigne Cedex
France

Email: Laurent.Toutain@telecom-bretagne.eu

Alper Yegin
Actility
Paris, Paris
FR

Email: alper.yegin@actility.com

Juan Carlos Zuniga
SIGFOX
425 rue Jean Rostand
Labege 31670
France

Email: JuanCarlos.Zuniga@sigfox.com
URI: <http://www.sigfox.com/>

8. Acknowledgments

Thanks to all those listed in [Section 7](#) for the excellent text. Errors in the handling of that are solely the editor's fault.

[[RFC editor: Please surnames below for I18N, at least Mirja's does need fixing.]]

In addition to the contributors above, thanks are due to (in alphabetical order): Abdussalam Baryun, Andy Malis, Arun (arun@acklio.com), Behcet SariKaya, Dan Garcia Carrillo, Jiazi Yi, Mirja Kuehlewind, Paul Duffy, Russ Housley, Thad Guidry, Warren Kumari, for comments.

Alexander Pelov and Pascal Thubert were the LPWAN WG chairs while this document was developed.

Stephen Farrell's work on this memo was supported by Pervasive Nation, the Science Foundation Ireland's CONNECT centre national IoT network. <<https://connectcentre.ie/pervasive-nation/>>

9. Informative References

- [RFC0768] Postel, J., "User Datagram Protocol", STD 6, [RFC 768](#), DOI 10.17487/RFC0768, August 1980, <<https://www.rfc-editor.org/info/rfc768>>.
- [RFC1035] Mockapetris, P., "Domain names - implementation and specification", STD 13, [RFC 1035](#), DOI 10.17487/RFC1035, November 1987, <<https://www.rfc-editor.org/info/rfc1035>>.
- [RFC2460] Deering, S. and R. Hinden, "Internet Protocol, Version 6 (IPv6) Specification", [RFC 2460](#), DOI 10.17487/RFC2460, December 1998, <<https://www.rfc-editor.org/info/rfc2460>>.
- [RFC2904] Vollbrecht, J., Calhoun, P., Farrell, S., Gommans, L., Gross, G., de Bruijn, B., de Laat, C., Holdrege, M., and D. Spence, "AAA Authorization Framework", [RFC 2904](#), DOI 10.17487/RFC2904, August 2000, <<https://www.rfc-editor.org/info/rfc2904>>.
- [RFC3095] Bormann, C., Burmeister, C., Degermark, M., Fukushima, H., Hannu, H., Jonsson, L-E., Hakenberg, R., Koren, T., Le, K., Liu, Z., Martensson, A., Miyazaki, A., Svanbro, K., Wiebke, T., Yoshimura, T., and H. Zheng, "RObust Header Compression (ROHC): Framework and four profiles: RTP, UDP, ESP, and uncompressed", [RFC 3095](#), DOI 10.17487/RFC3095, July 2001, <<https://www.rfc-editor.org/info/rfc3095>>.

- [RFC3315] Droms, R., Ed., Bound, J., Volz, B., Lemon, T., Perkins, C., and M. Carney, "Dynamic Host Configuration Protocol for IPv6 (DHCPv6)", [RFC 3315](#), DOI 10.17487/RFC3315, July 2003, <<https://www.rfc-editor.org/info/rfc3315>>.

- [RFC3963] Devarapalli, V., Wakikawa, R., Petrescu, A., and P. Thubert, "Network Mobility (NEMO) Basic Support Protocol", [RFC 3963](#), DOI 10.17487/RFC3963, January 2005, <<https://www.rfc-editor.org/info/rfc3963>>.

- [RFC4301] Kent, S. and K. Seo, "Security Architecture for the Internet Protocol", [RFC 4301](#), DOI 10.17487/RFC4301, December 2005, <<https://www.rfc-editor.org/info/rfc4301>>.

- [RFC4443] Conta, A., Deering, S., and M. Gupta, Ed., "Internet Control Message Protocol (ICMPv6) for the Internet Protocol Version 6 (IPv6) Specification", STD 89, [RFC 4443](#), DOI 10.17487/RFC4443, March 2006, <<https://www.rfc-editor.org/info/rfc4443>>.

- [RFC4861] Narten, T., Nordmark, E., Simpson, W., and H. Soliman, "Neighbor Discovery for IP version 6 (IPv6)", [RFC 4861](#), DOI 10.17487/RFC4861, September 2007, <<https://www.rfc-editor.org/info/rfc4861>>.

- [RFC4944] Montenegro, G., Kushalnagar, N., Hui, J., and D. Culler, "Transmission of IPv6 Packets over IEEE 802.15.4 Networks", [RFC 4944](#), DOI 10.17487/RFC4944, September 2007, <<https://www.rfc-editor.org/info/rfc4944>>.

- [RFC5216] Simon, D., Aboba, B., and R. Hurst, "The EAP-TLS Authentication Protocol", [RFC 5216](#), DOI 10.17487/RFC5216, March 2008, <<https://www.rfc-editor.org/info/rfc5216>>.

- [RFC5246] Dierks, T. and E. Rescorla, "The Transport Layer Security (TLS) Protocol Version 1.2", [RFC 5246](#), DOI 10.17487/RFC5246, August 2008, <<https://www.rfc-editor.org/info/rfc5246>>.

- [RFC5280] Cooper, D., Santesson, S., Farrell, S., Boeyen, S., Housley, R., and W. Polk, "Internet X.509 Public Key Infrastructure Certificate and Certificate Revocation List (CRL) Profile", [RFC 5280](#), DOI 10.17487/RFC5280, May 2008, <<https://www.rfc-editor.org/info/rfc5280>>.

- [RFC6282] Hui, J., Ed. and P. Thubert, "Compression Format for IPv6 Datagrams over IEEE 802.15.4-Based Networks", [RFC 6282](#), DOI 10.17487/RFC6282, September 2011, <<https://www.rfc-editor.org/info/rfc6282>>.
- [RFC6775] Shelby, Z., Ed., Chakrabarti, S., Nordmark, E., and C. Bormann, "Neighbor Discovery Optimization for IPv6 over Low-Power Wireless Personal Area Networks (6LoWPANs)", [RFC 6775](#), DOI 10.17487/RFC6775, November 2012, <<https://www.rfc-editor.org/info/rfc6775>>.
- [RFC6961] Pettersen, Y., "The Transport Layer Security (TLS) Multiple Certificate Status Request Extension", [RFC 6961](#), DOI 10.17487/RFC6961, June 2013, <<https://www.rfc-editor.org/info/rfc6961>>.
- [RFC7252] Shelby, Z., Hartke, K., and C. Bormann, "The Constrained Application Protocol (CoAP)", [RFC 7252](#), DOI 10.17487/RFC7252, June 2014, <<https://www.rfc-editor.org/info/rfc7252>>.
- [RFC7452] Tschofenig, H., Arkko, J., Thaler, D., and D. McPherson, "Architectural Considerations in Smart Object Networking", [RFC 7452](#), DOI 10.17487/RFC7452, March 2015, <<https://www.rfc-editor.org/info/rfc7452>>.
- [RFC7668] Nieminen, J., Savolainen, T., Isomaki, M., Patil, B., Shelby, Z., and C. Gomez, "IPv6 over BLUETOOTH(R) Low Energy", [RFC 7668](#), DOI 10.17487/RFC7668, October 2015, <<https://www.rfc-editor.org/info/rfc7668>>.
- [RFC8200] Deering, S. and R. Hinden, "Internet Protocol, Version 6 (IPv6) Specification", STD 86, [RFC 8200](#), DOI 10.17487/RFC8200, July 2017, <<https://www.rfc-editor.org/info/rfc8200>>.
- [RFC8240] Tschofenig, H. and S. Farrell, "Report from the Internet of Things Software Update (IoTSU) Workshop 2016", [RFC 8240](#), DOI 10.17487/RFC8240, September 2017, <<https://www.rfc-editor.org/info/rfc8240>>.
- [I-D.farrell-lpwan-lora-overview] Farrell, S. and A. Yegin, "LoRaWAN Overview", [draft-farrell-lpwan-lora-overview-01](#) (work in progress), October 2016.

[I-D.minaburo-lpwan-gap-analysis]

Minaburo, A., Gomez, C., Toutain, L., Paradells, J., and J. Crowcroft, "LPWAN Survey and GAP Analysis", [draft-minaburo-lpwan-gap-analysis-02](#) (work in progress), October 2016.

[I-D.zuniga-lpwan-sigfox-system-description]

Zuniga, J. and B. PONSARD, "SIGFOX System Description", [draft-zuniga-lpwan-sigfox-system-description-04](#) (work in progress), December 2017.

[I-D.ratilainen-lpwan-nb-iot]

Ratilainen, A., "NB-IoT characteristics", [draft-ratilainen-lpwan-nb-iot-00](#) (work in progress), July 2016.

[I-D.garcia-dime-diameter-lorawan]

Garcia, D., Lopez, R., Kandasamy, A., and A. Pelov, "LoRaWAN Authentication in Diameter", [draft-garcia-dime-diameter-lorawan-00](#) (work in progress), May 2016.

[I-D.garcia-radext-radius-lorawan]

Garcia, D., Lopez, R., Kandasamy, A., and A. Pelov, "LoRaWAN Authentication in RADIUS", [draft-garcia-radext-radius-lorawan-03](#) (work in progress), May 2017.

[TGPP36300]

3GPP, "TS 36.300 v13.4.0 Evolved Universal Terrestrial Radio Access (E-UTRA) and Evolved Universal Terrestrial Radio Access Network (E-UTRAN); Overall description; Stage 2", 2016,
<http://www.3gpp.org/ftp/Specs/2016-09/Rel-14/36_series/>.

[TGPP36321]

3GPP, "TS 36.321 v13.2.0 Evolved Universal Terrestrial Radio Access (E-UTRA); Medium Access Control (MAC) protocol specification", 2016.

[TGPP36322]

3GPP, "TS 36.322 v13.2.0 Evolved Universal Terrestrial Radio Access (E-UTRA); Radio Link Control (RLC) protocol specification", 2016.

[TGPP36323]

3GPP, "TS 36.323 v13.2.0 Evolved Universal Terrestrial Radio Access (E-UTRA); Packet Data Convergence Protocol (PDCP) specification (Not yet available)", 2016.

[TGPP36331]

3GPP, "TS 36.331 v13.2.0 Evolved Universal Terrestrial Radio Access (E-UTRA); Radio Resource Control (RRC); Protocol specification", 2016.

[TGPP36201]

3GPP, "TS 36.201 v13.2.0 - Evolved Universal Terrestrial Radio Access (E-UTRA); LTE physical layer; General description", 2016.

[TGPP23720]

3GPP, "TR 23.720 v13.0.0 - Study on architecture enhancements for Cellular Internet of Things", 2016.

[TGPP33203]

3GPP, "TS 33.203 v13.1.0 - 3G security; Access security for IP-based services", 2016.

[fcc_ref] "FCC CFR 47 Part 15.247 Telecommunication Radio Frequency Devices - Operation within the bands 902-928 MHz, 2400-2483.5 MHz, and 5725-5850 MHz.", June 2016.

[etsi_ref]

"ETSI EN 300-220 (Parts 1 and 2): Electromagnetic compatibility and Radio spectrum Matters (ERM); Short Range Devices (SRD); Radio equipment to be used in the 25 MHz to 1 000 MHz frequency range with power levels ranging up to 500 mW", May 2016.

[arib_ref]

"ARIB STD-T108 (Version 1.0): 920MHz-Band Telemeter, Telecontrol and data transmission radio equipment.", February 2012.

[LoRaSpec]

LoRa Alliance, "LoRaWAN Specification Version V1.0.2", July 2016, <http://portal.lora-alliance.org/DesktopModules/Inventures_Document/FileDownload.aspx?ContentID=1398>.

[ANSI-4957-000]

ANSI, TIA-4957.000, "Architecture Overview for the Smart Utility Network", May 2013, <https://global.ihs.com/doc_detail.cfm?%26rid=TIA%26item_s_key=00606368>.

[ANSI-4957-210]

ANSI, TIA-4957.210, "Multi-Hop Delivery Specification of a Data Link Sub-Layer", May 2013, <https://global.ihs.com/doc_detail.cfm?%26csf=TIA%26item_s_key=00601800>.

[wisun-pressie1]

Phil Beecher, Chair, Wi-SUN Alliance, "Wi-SUN Alliance Overview", March 2017, <<http://indiasmartgrid.org/event2017/10-03-2017/4.%20Roundtable%20on%20Communication%20and%20Cyber%20Security/1.%20Phil%20Beecher.pdf>>.

[wisun-pressie2]

Bob Heile, Director of Standards, Wi-SUN Alliance, "IETF97 Wi-SUN Alliance Field Area Network (FAN) Overview", November 2016, <<https://www.ietf.org/proceedings/97/slides/slides-97-lpwan-35-wi-sun-presentation-00.pdf>>.

[IEEE-802-15-4]

"IEEE Standard for Low-Rate Wireless Personal Area Networks (WPANs)", IEEE Standard 802.15.4, 2015, <<https://standards.ieee.org/findstds/standard/802.15.4-2015.html>>.

[IEEE-802-15-9]

"IEEE Recommended Practice for Transport of Key Management Protocol (KMP) Datagrams", IEEE Standard 802.15.9, 2016, <<https://standards.ieee.org/findstds/standard/802.15.9-2016.html>>.

[etsi_unb]

"ETSI TR 103 435 System Reference document (SRdoc); Short Range Devices (SRD); Technical characteristics for Ultra Narrow Band (UNB) SRDs operating in the UHF spectrum below 1 GHz", February 2017.

[nbiot-ov]

Beyene, Yihene Dagne, et al., "NB-IoT technology overview and experience from cloud-RAN implementation", IEEE Wireless Communications 24,3 (2017): 26-32, June 2017.

Appendix A. Changes

A.1. From -00 to -01

- o WG have stated they want this to be an RFC.
- o WG clearly want to keep the RF details.

- o Various changes made to remove/resolve a number of editorial notes from -00 (in some cases as per suggestions from Ana Minaburo)
- o Merged PR's: #1...
- o Rejected PR's: #2 (change was made to .txt not .xml but was replicated manually by editor)
- o Github repo is at: <https://github.com/sftcd/lpwan-ov>

A.2. From -01 to -02

- o WG seem to agree with editor suggestions in slides 13-24 of the presentation on this topic given at IETF98 (See: <https://www.ietf.org/proceedings/98/slides/slides-98-lpwan-aggregated-slides-07.pdf>)
- o Got new text wrt Wi-SUN via email from Paul Duffy and merged that in
- o Reflected list discussion wrt terminology and "end-device"
- o Merged PR's: #3...

A.3. From -02 to -03

- o Editorial changes and typo fixes thanks to Fred Baker running something called Grammerly and sending me it's report.
- o Merged PR's: #4, #6, #7...
- o Editor did an editing pass on the lot.

A.4. From -03 to -04

- o Picked up a PR that had been wrongly applied that expands UE
- o Editorial changes wrt LoRa suggested by Alper
- o Editorial changes wrt SIGFOX provided by Juan-Carlos

A.5. From -04 to -05

- o Handled Russ Housley's WGLC review.
- o Handled Alper Yegin's WGLC review.

A.6. From -05 to -06

- o More Alper comments:-)
- o Added some more detail about sigfox security.
- o Added Wi-SUN changes from Charlie Perkins

A.7. From -06 to -07

Yet more Alper comments:-)

Comments from Behcet Sarikaya

A.8. From -07 to -08

various typos

Last call and directorate comments from Abdussalam Baryun (AB) and Andy Malis

20180118 IESG ballot comments from Warren: nits handled, two possible bits of text still needed.

Some more AB comments handled. Still need to check over 7452 and 8240 to see if issues from those need to be discussed here.

Corrected "no IP capabilities - Wi-SUN devices do v6 (thanks Paul Duffy:-)

Mirja's AD ballot comments handled.

Added a sentence in intro trying to say what's "special" about LPWAN compared to other constrained networks. (As suggested by Warren.)

Added text @ start of gap analysis referring to RFCs 7252 and 8240, as suggested by a few folks (AB, Warren, Mirja)

Added nbiot-ov reference for those who'd like a more polished presentation of NB-IoT

Author's Address

Stephen Farrell (editor)
Trinity College Dublin
Dublin 2
Ireland

Phone: +353-1-896-2354
Email: stephen.farrell@cs.tcd.ie