

Network Working Group A.  
Farrel  
Internet-Draft Juniper  
Networks  
Intended status: Informational H.  
Endo  
Expires: October 5, 2013 Hitachi,  
Ltd. R.  
Winter  
NEC  
Koike Y.  
NTT  
Paul M.  
Telekom Deutsche  
2013 April 3,

**Per-Interface MIP Addressing Requirements and Design Considerations  
draft-ietf-mpls-tp-mip-mep-map-06**

Abstract

The Framework for Operations, Administration and Maintenance (OAM) within the MPLS Transport Profile (MPLS-TP) describes how Maintenance

Entity Group Intermediate Points (MIPs) may be situated within network nodes at the incoming and outgoing interfaces.

This document elaborates on important considerations for internal MIP

addressing. More precisely it describes important restrictions for any mechanism that specifies a way of forming OAM messages so that they can be targeted at MIPs on incoming or MIPs on outgoing interfaces and forwarded correctly through the forwarding engine. Furthermore, the document includes considerations for node implementations where there is no distinction between the incoming and outgoing MIP.

This document is a product of a joint Internet Engineering Task Force

(IETF) / International Telecommunication Union Telecommunication Standardization Sector (ITU-T) effort to include an MPLS Transport Profile within the IETF MPLS and PWE3 architectures to support the capabilities and functionalities of a packet transport network.

Status of this Memo

This Internet-Draft is submitted in full conformance with the provisions of [BCP 78](#) and [BCP 79](#).

Internet-Drafts are working documents of the Internet Engineering Task Force (IETF). Note that other groups may also distribute working documents as Internet-Drafts. The list of current Internet-Drafts is at <http://datatracker.ietf.org/drafts/current/>.

Farrel, et al.  
1]

Expires October 5, 2013

[Page

Internet-Drafts are draft documents valid for a maximum of six months and may be updated, replaced, or obsoleted by other documents at any time. It is inappropriate to use Internet-Drafts as reference material or to cite them other than as "work in progress."

This Internet-Draft will expire on October 5, 2013.

#### Copyright Notice

Copyright (c) 2013 IETF Trust and the persons identified as the document authors. All rights reserved.

This document is subject to [BCP 78](#) and the IETF Trust's Legal Provisions Relating to IETF Documents (<http://trustee.ietf.org/license-info>) in effect on the date of publication of this document. Please review these documents carefully, as they describe your rights and restrictions with respect to this document. Code Components extracted from this document must include Simplified BSD License text as described in Section 4.e of the Trust Legal Provisions and are provided without warranty as described in the Simplified BSD License.



Table of Contents

<a href="#">1.</a>	Introduction . . . . .	
<a href="#">4</a>		
<a href="#">2.</a>	Requirements notation . . . . .	
<a href="#">4</a>		
<a href="#">3.</a>	Terminology . . . . .	
<a href="#">4</a>		
<a href="#">4.</a>	Summary of the Problem Statement . . . . .	
<a href="#">5</a>		
5.	Requirements and Design Considerations for Internal-MIP Addressing . . . . .	
<a href="#">7</a>		
<a href="#">6.</a>	Security Considerations . . . . .	
<a href="#">11</a>		
<a href="#">7.</a>	IANA Considerations . . . . .	
<a href="#">11</a>		
<a href="#">8.</a>	Acknowledgments . . . . .	
<a href="#">11</a>		
<a href="#">9.</a>	References . . . . .	
<a href="#">12</a>		
<a href="#">9.1.</a>	Normative References . . . . .	
<a href="#">12</a>		
<a href="#">9.2.</a>	Informative References . . . . .	
<a href="#">12</a>		
<a href="#">12</a>	Authors' Addresses . . . . .	
<a href="#">12</a>		

Farrel, et al.  
3]

Expires October 5, 2013

[Page

## 1. Introduction

The Framework for Operations, Administration and Maintenance (OAM) within the MPLS Transport Profile (MPLS-TP)(the MPLS-TP OAM Framework, [[RFC6371](#)]) distinguishes two configurations for Maintenance Entity Group Intermediate Points (MIPs) on a node. It defines per-node MIPs and per-interface MIPs, where a per-node MIP is a single MIP per node in an unspecified location within the node and per-interface MIPs are two (or more) MIPs per node on each side of the forwarding engine.

In-band OAM messages are sent using the Generic Associated Channel (G-ACh) [[RFC5586](#)]. OAM messages for the transit points of pseudowires (PWs) or Label Switched Paths (LSPs) are delivered using the expiration of the MPLS shim header time-to-live (TTL) field. OAM messages for the end points of PWs and LSPs are simply delivered as normal.

OAM messages delivered to end points or transit points are distinguished from other (data) packets so that they can be processed as OAM. In LSPs, the mechanism used is the presence of the Generic Associated Channel Label (GAL) in the Label Stack Entry (LSE) under the top LSE [[RFC5586](#)]. In PWs, the mechanism used is the presence of the PW Associated Channel Header (PWACH) [[RFC4385](#)] or the presence of a GAL [[RFC6423](#)].

In case multiple MIPs are present on a single node, these mechanisms alone provide no way to address one particular MIP out of the set of MIPs. A mechanism that addresses this shortcoming has to obey a few important design considerations which are discussed in this document.

Note that the acronym "OAM" is used in conformance with [[RFC6291](#)].

## 2. Requirements notation

The key words "MUST", "MUST NOT", "REQUIRED", "SHALL", "SHALL NOT", "SHOULD", "SHOULD NOT", "RECOMMENDED", "MAY", and "OPTIONAL" in this document are to be interpreted as described in [[RFC2119](#)].

## 3. Terminology

In this document we use the term in-MIP (incoming MIP) to refer to the MIP which processes OAM messages before they pass through the forwarding engine of a node. An out-MIP (outgoing MIP) processes

OAM

messages after they have passed the forwarding engine of the node.  
The two together are referred to as internal MIPs.

Farrel, et al.  
4]

Expires October 5, 2013

[Page



**4. Summary of the Problem Statement**

Figure 1 shows an abstract functional representation of an MPLS-TP node. It is decomposed as an incoming interface, a forwarding engine

(FW), and an outgoing interface. As per the discussion in [RFC6371],

MIPs may be placed in each of the functional interface components.

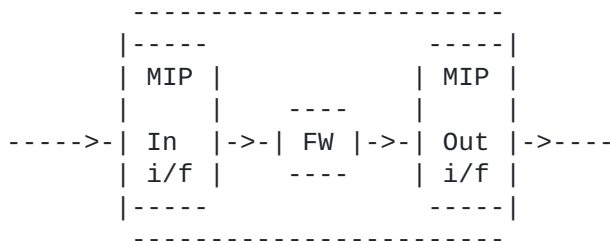


Figure 1: Abstract Functional Representation of an MPLS-TP Node

Several distinct OAM functions are required within this architectural model for both PWs and LSPs such as:

- o Connectivity Verification (CV) between a MEP and a MIP
- o traceroute over an MPLS-TP LSP and/or an MPLS-TP PW containing MIPs
- o data-plane loopback configuration at a MIP
- o diagnostic tests

The MIPs in these OAM functions may equally be the MIPs at the incoming or outgoing interfaces.

Per-interface MIPs have the advantage that they enable a more accurate localization and identification of faults and diagnostic tests. In particular, the identification of whether a problem is located between nodes or on a particular node and where on that node is greatly enhanced. For obvious reasons, it is important to narrow the cause of a fault down quickly to initiate a timely, and well-directed maintenance action to resume normal network operation.

The following two figures illustrate the fundamental difference of using per-node and per-interface MEPs and MIPs for OAM. Figure 2 depicts OAM using per-node MIPs and MEPs. For reasons of exposition we pick a location for the MIPs on the nodes but the standard does not mandate the exact location for the per-node model. Figure 3 on the other hand shows the same basic network but for OAM operations per-interface maintenance points are configured. Note that these figures are merely examples. It is important to note that per-interface MEPs or per-interface MIPs have to logically be placed at

a point before (for in-MIP) or after (for out-MIP) passing the



forwarding engine as defined in [RFC6371]. It has to be assured that all traffic for which the MEP/MIP is associated with must pass through or be terminated at that point.

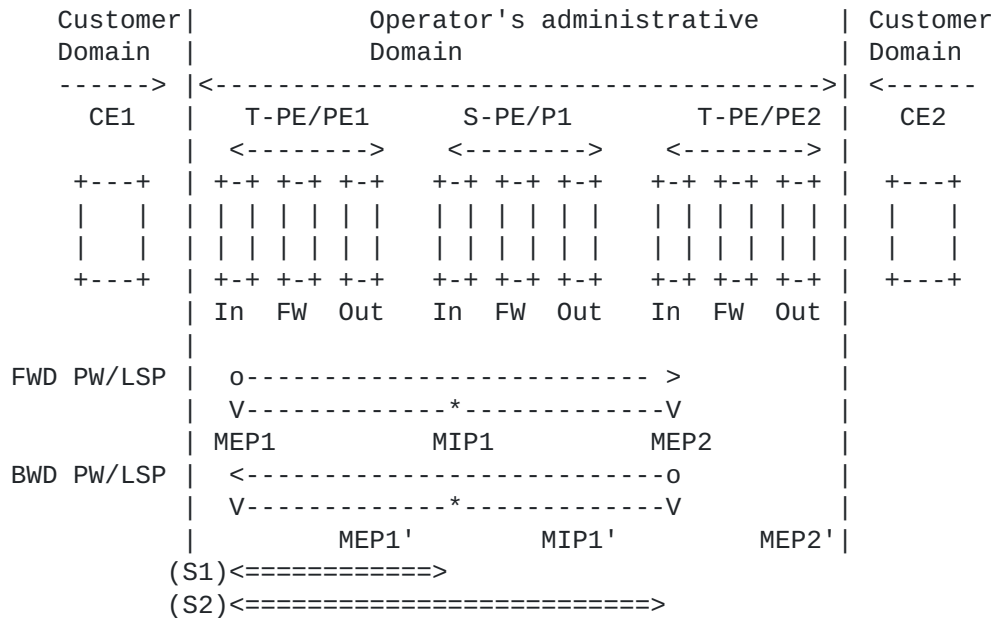


Figure 2: Example of OAM relying on per-node MIPs and MEPS

To illustrate the difference between these two modes of operation, we use fault detection as an example. Consider the case where the client traffic between CE1 and CE2 experiences a fault. Also assume that an on-demand CV test between PE1 and PE2 was successful. The scenario in Figure 2 therefore leaves the forwarding engine (FW) of PE2, the out-going interface of PE2, the transmission line between PE2 and CE2 or CE2 itself as a potential location of the fault as on-demand CV can only be performed on segment S2.

The per-interface model in Figure 3 allows more fine-grained OAM operations to be performed. At first, CV on segment S'4 and in addition CV on segment S'5 can help to rule out e.g. the forwarding engine of PE2. This is of course only a single example, and other OAM functions and scenarios are trivially conceivable. The basic message is that with the per-interface OAM model, an operator can configure smaller segments on a transport path to which OAM operations apply. This enables a more fine-grained scoping of OAM operations such as fault localization and performance monitoring which gives operators better information to deal with adverse



networking conditions.

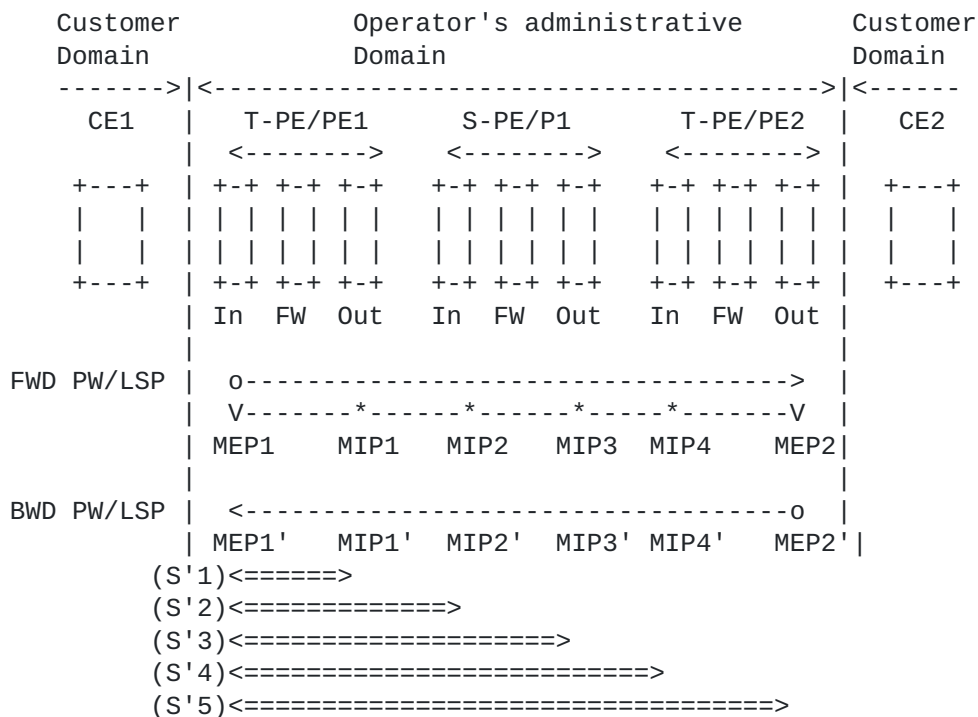


Figure 3: Example of OAM relying on per-interface MIPs and MEPs

**5. Requirements and Design Considerations for Internal-MIP Addressing**

OAM messages for transit points of PWs or LSPs are delivered using the expiration of the time-to-live (TTL) field in the top LSE of the MPLS packet header. OAM messages for the end points of PWs and LSPs are simply delivered as normal. These messages are distinguished from other (data) packets so that they can be processed as OAM. In LSPs, the mechanism used is the presence of the Generic Associated Channel Label (GAL) in the LSE under the top LSE [RFC5586]. In PWs, the mechanism used is the presence of the PW Associated Channel Header [RFC4385] or the presence of a GAL [RFC6423]. In addition, two sets of identifiers exist that can be used to address MIPs which are defined in [RFC6370] and [I-D.ietf-mpls-tp-itu-t-identifiers]

Any solution for sending OAM messages to the in and out-MIPs must fit within these existing models of handling OAM.



Additionally, many MPLS-TP nodes are implemented in a way that all queuing and the forwarding function is performed at the incoming interface. The abstract functional representation of such a node is shown in Figure 4. As shown in the figure, the outgoing interfaces are minimal and for this reason it may not be possible to include

MIP

functions on those interfaces. This is in particular the case for existing deployed implementations.

Any solution that attempts to send OAM messages to the outgoing interface of an MPLS-TP node must not cause any problems when such implementations are present (such as leaking OAM packets with a TTL of 0).

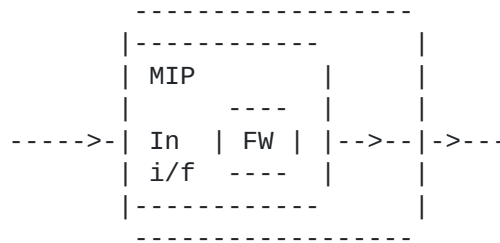


Figure 4: Abstract Functional Representation of Some Existing MPLS-TP Nodes

OAM must operate on MPLS-TP nodes that are branch points on point-to-multipoint (P2MP) trees. That means that it must be possible to target individual outgoing MIPs as well as all outgoing MIPs in the abstract functional representation shown in Figure 5, as well as to handle the P2MP node implementations as shown in Figure 6 without causing problems.





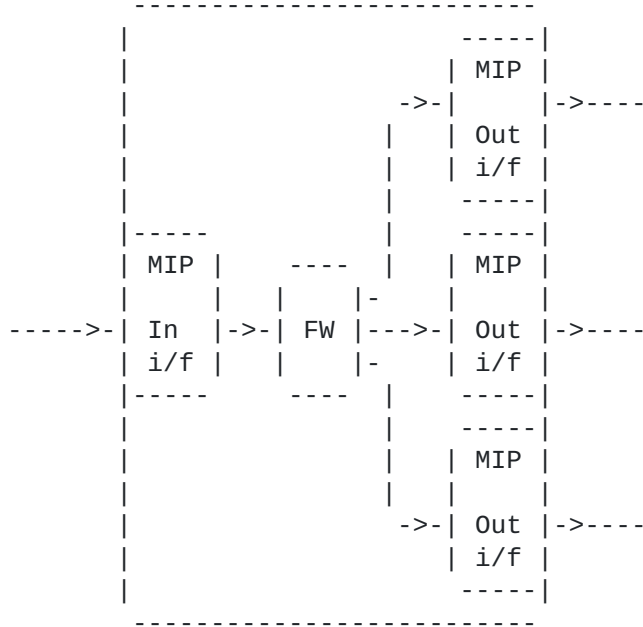


Figure 5: Abstract Functional Representation of an MPLS-TP Node Supporting P2MP

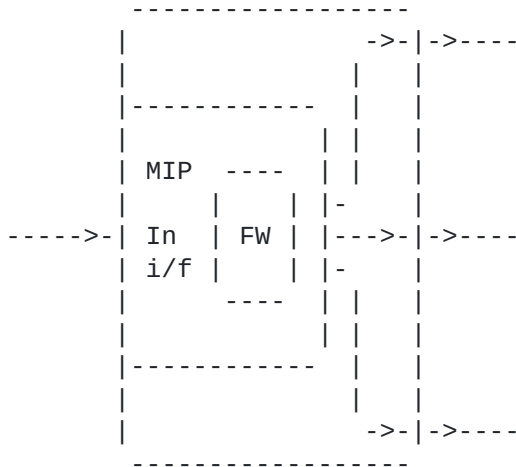


Figure 6: Abstract Functional Representation of Some Existing MPLS-TP Nodes Supporting P2MP

In summary, the solution for OAM message delivery must behave as follows:



- o Delivery of OAM messages to the correct MPLS-TP node.
- o Delivery of OAM instructions to the correct MIP within an MPLS-TP node.
- o Forwarding of OAM packets exactly as data packets.
- o Packet inspection at the incoming and outgoing interfaces must be minimized.

The first and second bullet point are obvious. The third bullet point however is also vital. To illustrate the importance, a rejected solution is depicted in Figure 7. In the figure, all data and non-local OAM is handled as normal. Local OAM is intercepted at the incoming interface and delivered to the MIP at the incoming interface. If the OAM is intended for the incoming MIP it is

handled

there with no issue. If the OAM is intended for the outgoing MIP it is forwarded to that MIP using some internal messaging system that

is

implementation-specific.

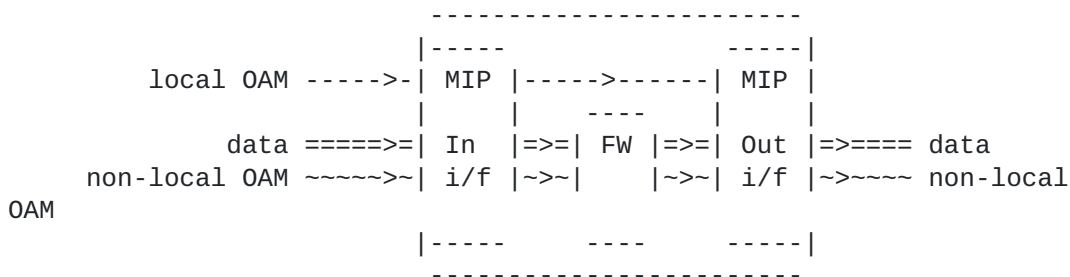


Figure 7: OAM Control Message Delivery Bypassing the Forwarding Engine

This solution is fully functional for the incoming MIP. It also supports control of data loopback for the outgoing MIP, and can adequately perform some OAM features such as interface identity reporting at the outgoing MIP.

However, because the OAM message is not forwarded through the forwarding engine, this solution cannot correctly perform OAM loopback, connectivity verification, LSP tracing, or performance measurement.

The last bullet point is also an important requirement for any solution to the internal-MIP addressing problem. Since OAM packets that target an out-MIP need to be sent through the forwarding engine and treated exactly as regular data packets, the determination of whether to forward the packet or process it at the incoming MIP

needs

to be fast and therefore the processing overhead must be kept to a minimum. In addition, there are a few OAM procedures that operate

at

line rate such as OAM loopback. This adds to the requirement of

Farrel, et al.  
10]

Expires October 5, 2013

[Page

minimal processing overhead for both the in-MIP and out-MIP.

Most of the above superficially appears to be an implementation matter local to an individual node, the format of the message needs to be standardised so that:

- o A MEP can correctly target the outgoing MIP of a specific MPLS-TP node.
- o A node can correctly filter out any OAM messages that were intended for its upstream neighbor's outgoing MIP, but which were not handled there because the upstream neighbor is an implementation as shown in Figure 4 or Figure 6.

Note that the last bullet point describes a safety net and an implementation should avoid that this situation ever arises.

## **6. Security Considerations**

OAM security is discussed in [[RFC6371](#)] and security aspects specific to MPLS-TP in general are outlined in [[I-D.ietf-mpls-tp-security-framework](#)].

OAM can provide useful information for detecting and tracing security attacks.

OAM can also be used to illicitly gather information or for denial of service attacks and other types of attack. Implementations therefore are required to offer security mechanisms for OAM. Deployments are strongly advised to use such mechanisms.

Mixing of per-node and per-interface OAM on a single node is not advised as OAM message leakage could be the result.

## **7. IANA Considerations**

This revision of this document does not make any requests of IANA.

## **8. Acknowledgments**

The authors gratefully acknowledge the substantial contributions of Zhenlong Cui. We would also like to thank Eric Gray, Sami Boutros and Shahram Davari for interesting input to this document through discussions.



## **9. References**

### **9.1. Normative References**

- [I-D.ietf-mpls-tp-itu-t-identifiers]  
TP Winter, R., Gray, E., Helvoort, H., and M. Betts, "MPLS-  
Identifiers Following ITU-T Conventions",  
[draft-ietf-mpls-tp-itu-t-identifiers-08](#) (work in  
progress), February 2013.
- [RFC2119] Bradner, S., "Key words for use in RFCs to Indicate  
Requirement Levels", [BCP 14](#), [RFC 2119](#), March 1997.
- [RFC4385] Bryant, S., Swallow, G., Martini, L., and D. McPherson,  
for "Pseudowire Emulation Edge-to-Edge (PWE3) Control Word  
Use over an MPLS PSN", [RFC 4385](#), February 2006.
- [RFC5586] Bocci, M., Vigoureux, M., and S. Bryant, "MPLS Generic  
Associated Channel", [RFC 5586](#), June 2009.
- [RFC6370] Bocci, M., Swallow, G., and E. Gray, "MPLS Transport  
Profile (MPLS-TP) Identifiers", [RFC 6370](#), September 2011.
- [RFC6371] Busi, I. and D. Allan, "Operations, Administration, and  
Maintenance Framework for MPLS-Based Transport Networks",  
[RFC 6371](#), September 2011.
- [RFC6423] Li, H., Martini, L., He, J., and F. Huang, "Using the  
Generic Associated Channel Label for Pseudowire in the  
MPLS Transport Profile (MPLS-TP)", [RFC 6423](#),  
November 2011.

### **9.2. Informative References**

- [I-D.ietf-mpls-tp-security-framework]  
Fang, L., Niven-Jenkins, B., Mansfield, S., and R.  
Graveman, "MPLS-TP Security Framework",  
[draft-ietf-mpls-tp-security-framework-09](#) (work in  
progress), February 2013.
- [RFC6291] Andersson, L., van Helvoort, H., Bonica, R., Romascanu,  
"OAM" D., and S. Mansfield, "Guidelines for the Use of the  
Acronym in the IETF", [BCP 161](#), [RFC 6291](#), June 2011.





Authors' Addresses

Adrian Farrel  
Juniper Networks

Email: [adrian@olddog.co.uk](mailto:adrian@olddog.co.uk)

Hideki Endo  
Hitachi, Ltd.

Email: [hideki.endo.es@hitachi.com](mailto:hideki.endo.es@hitachi.com)

Rolf Winter  
NEC

Email: [rolf.winter@neclab.eu](mailto:rolf.winter@neclab.eu)

Yoshinori Koike  
NTT

Email: [koike.yoshinori@lab.ntt.co.jp](mailto:koike.yoshinori@lab.ntt.co.jp)

Manuel Paul  
Deutsche Telekom

Email: [Manuel.Paul@telekom.de](mailto:Manuel.Paul@telekom.de)

