

P2PSIP Working Group
Internet-Draft
Intended status: Informational
Expires: November 9, 2015

D. Bryan
Cogent Force, LLC
P. Matthews
Alcatel-Lucent
E. Shim
Samsung Electronics Co., Ltd.
D. Willis
Softarmor Systems
S. Dawkins
Huawei (USA)
May 8, 2015

**Concepts and Terminology for Peer to Peer SIP
draft-ietf-p2psip-concepts-07**

Abstract

This document defines concepts and terminology for the use of the Session Initiation Protocol in a peer-to-peer environment where the traditional proxy-registrar and message routing functions are replaced by a distributed mechanism. These mechanisms may be implemented using a distributed hash table or other distributed data mechanism with similar external properties. This document includes a high-level view of the functional relationships between the network elements defined herein, a conceptual model of operations, and an outline of the related problems addressed by the P2PSIP working group and the RELOAD protocol and SIP usage ([RFC6940], [I-D.ietf-p2psip-sip]) defined by the working group.

Status of this Memo

This Internet-Draft is submitted in full conformance with the provisions of [BCP 78](#) and [BCP 79](#).

Internet-Drafts are working documents of the Internet Engineering Task Force (IETF). Note that other groups may also distribute working documents as Internet-Drafts. The list of current Internet-Drafts is at <http://datatracker.ietf.org/drafts/current/>.

Internet-Drafts are draft documents valid for a maximum of six months and may be updated, replaced, or obsoleted by other documents at any time. It is inappropriate to use Internet-Drafts as reference material or to cite them other than as "work in progress."

This Internet-Draft will expire on November 9, 2015.

Copyright Notice

Copyright (c) 2015 IETF Trust and the persons identified as the document authors. All rights reserved.

This document is subject to [BCP 78](#) and the IETF Trust's Legal Provisions Relating to IETF Documents (<http://trustee.ietf.org/license-info>) in effect on the date of publication of this document. Please review these documents carefully, as they describe your rights and restrictions with respect to this document. Code Components extracted from this document must include Simplified BSD License text as described in Section 4.e of the Trust Legal Provisions and are provided without warranty as described in the Simplified BSD License.

This document may contain material from IETF Documents or IETF Contributions published or made publicly available before November 10, 2008. The person(s) controlling the copyright in some of this material may not have granted the IETF Trust the right to allow modifications of such material outside the IETF Standards Process. Without obtaining an adequate license from the person(s) controlling the copyright in such materials, this document may not be modified outside the IETF Standards Process, and derivative works of it may not be created outside the IETF Standards Process, except to format it for publication as an RFC or to translate it into languages other than English.

Table of Contents

- [1. Editor's Notes and Changes To This Version](#) [4](#)
- [2. Background](#) [4](#)
- [3. High-Level Description](#) [5](#)
 - [3.1. Services](#) [6](#)
 - [3.2. Clients](#) [6](#)
 - [3.3. Relationship Between P2PSIP and RELOAD](#) [6](#)
 - [3.4. Relationship Between P2PSIP and SIP](#) [7](#)
 - [3.5. Relationship Between P2PSIP and Other AoR
Dereferencing Approaches](#) [7](#)
 - [3.6. NAT Issues](#) [7](#)
- [4. Reference Model](#) [8](#)
- [5. Definitions](#) [10](#)
- [6. Discussion](#) [13](#)
 - [6.1. The Distributed Database Function](#) [13](#)
 - [6.2. Using the Distributed Database Function](#) [14](#)
 - [6.3. NAT Traversal](#) [15](#)
 - [6.4. Locating and Joining an Overlay](#) [16](#)
 - [6.5. Clients and Connecting Unmodified SIP Devices](#) [16](#)
 - [6.6. Architecture](#) [17](#)
- [7. Open Issues](#) [17](#)
- [8. Informative References](#) [18](#)
- [Authors' Addresses](#) [19](#)

1. Editor's Notes and Changes To This Version

This version of the draft represents almost no change from -06, which itself was a very minor revision of version -05 and is intended to restart conversation on this draft in the group, to identify open issues, address them, and complete work on the document in light of RELOAD being issued as an RFC.

It is currently believed this draft's terminology is inline with [RFC 6940](#). Please report any discrepancies to the editors of this document.

Version -03 represented a substantial revision from the previous version. Until -02, this work was tracking open questions and being used to help reach consensus on a draft. With the selection of RELOAD as the protocol for this WG, the focus of the group turned to completing the RELOAD draft, and the WG directed the editors to update the document to reflect the decisions made in RELOAD upon completion.

Please see [Section 7](#) for the list of major open issues.

2. Background

One of the fundamental problems in multimedia communication between Internet nodes is discovering the host at which a given user can be reached. In the Session Initiation Protocol (SIP) [[RFC3261](#)] this problem is expressed as the problem of mapping an Address of Record (AoR) for a user into one or more Contact URIs [[RFC3986](#)]. The AoR is a name for the user that is independent of the host or hosts where the user can be contacted, while a Contact URI indicates the host where the user can be contacted.

In the common SIP-using architectures that we refer to as "Conventional SIP" or "Client/Server SIP", there is a relatively fixed hierarchy of SIP routing proxies and SIP user agents. To deliver a SIP INVITE to the host or hosts at which the user can be contacted, a SIP UA follows the procedures specified in [[RFC3263](#)] to determine the IP address of a SIP proxy, and then sends the INVITE to that proxy. The proxy will then, in turn, deliver the SIP INVITE to the hosts where the user can be contacted.

This document gives a high-level description of an alternative solution to this problem. In this alternative solution, the relatively fixed hierarchy of Client/Server SIP is replaced by a peer-to-peer overlay network. In this peer-to-peer overlay network, the various AoR to Contact URI mappings are not centralized at proxy/

registrar nodes but are instead distributed amongst the peers in the overlay.

The details of this alternative solution are specified by the RELOAD protocol. The RELOAD base draft [[RFC6940](#)] defines a mechanism to distribute using a Distributed Hash Table (DHT) and specifies the wire protocol, security, and authentication mechanisms needed to convey this information. This DHT protocol was designed specifically with the purpose of enabling a distributed SIP registrar in mind. While designing the protocol other applications were considered, and when possible design decisions were made that allow RELOAD to be used in other instances where a DHT is desirable, but only when making such decisions did not add undue complexity to the RELOAD protocol. The RELOAD sip draft [[I-D.ietf-p2psip-sip](#)] specifies how RELOAD is used with the SIP protocol to enable a distributed, server-less SIP solution.

3. High-Level Description

A P2PSIP Overlay is a collection of nodes organized in a peer-to-peer fashion for the purpose of enabling real-time communication using the Session Initiation Protocol (SIP). Collectively, the nodes in the overlay provide a distributed mechanism for mapping names to overlay locations. This provides for the mapping of Addresses of Record (AoRs) to Contact URIs, thereby providing the "location server" function of [[RFC3261](#)]. An Overlay also provides a transport function by which SIP messages can be transported between any two nodes in the overlay.

A P2PSIP Overlay consists of one or more nodes called Peers. The nodes in the overlay collectively run a distributed database algorithm. This distributed database algorithm allows data to be stored on nodes and retrieved in an efficient manner. It may also ensure that a copy of a data item is stored on more than one node, so that the loss of a node does not result in the loss of the data item to the overlay.

One use of this distributed database is to store the information required to provide the mapping between AoRs and Contact URIs for the distributed location function. This provides a location function within each overlay that is an alternative to the location functions described in [[RFC3263](#)]. However, the model of [[RFC3263](#)] is used between overlays.

3.1. Services

The nature of peer-to-peer computing is that each peer offers services to other peers to allow the overlay to collectively provide larger functions. In P2PSIP, peers offer both distributed storage and distributed message routing services, allowing these functions to be implemented across the overlay. Additionally, the RELOAD protocol offers a simplistic discovery mechanism specific to the TURN [[RFC5766](#)] protocol used for NAT traversal. Individual peers may also offer other services as an enhancement to P2PSIP functionality (for example to support voicemail) or to support other applications beyond SIP. To support these additional services, peers may need to store additional information in the overlay. [[I-D.ietf-p2psip-service-discovery](#)] describes the mechanism used in P2PSIP for resource discovery.

3.2. Clients

An overlay may or may not also include one or more nodes called clients. Clients are supported in the RELOAD protocol as peers that have not joined the overlay, and therefore do not route messages or store information. Clients access the services of the RELOAD protocol by connecting to a peer which performs operations on the behalf of the client. Note that in RELOAD there is no distinct client protocol. Instead, a client connects using the same protocol, but never joins the overlay as a peer. For more information, see [[RFC6940](#)].

Note that in the context of P2PSIP, there is an additional entity that is sometimes referred to as a client. A special peer may be a member of the in the P2PSIP overlay and may present the functionality of one or all of a SIP registrar, proxy or redirect server to conventional SIP devices (SIP clients). In this way, existing, non-modified SIP clients may connect to the network. These unmodified SIP devices do not speak the RELOAD protocol, and this is a distinct concept from the notion of client discussed in the previous paragraph.

3.3. Relationship Between P2PSIP and RELOAD

The RELOAD protocol defined by the P2PSIP working group implements a DHT primarily for use by server-less, peer-to-peer SIP deployments. However, the RELOAD protocol could be used for other applications as well. As such, a "P2PSIP" deployment is generally assumed to be a use of RELOAD to implement distributed SIP, but it is possible that RELOAD is used as a mechanism to distribute other applications, completely unrelated to SIP.

3.4. Relationship Between P2PSIP and SIP

Since P2PSIP is about peer-to-peer networks for real-time communication, it is expected that most peers and clients will be coupled with SIP entities (although RELOAD may be used for other applications than P2PSIP). For example, one peer might be coupled with a SIP UA, another might be coupled with a SIP proxy, while a third might be coupled with a SIP-to-PSTN gateway. For such nodes, the peer or client portion of the node is logically distinct from the SIP entity portion. However, there is no hard requirement that every P2PSIP node (peer or client) be coupled to a SIP entity. As an example, additional peers could be placed in the overlay to provide additional storage or redundancy for the RELOAD overlay, but might not have any direct SIP capabilities.

3.5. Relationship Between P2PSIP and Other AoR Dereferencing Approaches

OPEN ISSUE: Many of the "decisions" made have been moved out of the main document. This one, however, seems to point out a difference. Should this section be moved or removed?

As noted above, the fundamental task of P2PSIP is turning an AoR into a Contact. This task might be approached using zeroconf techniques such as multicast DNS and DNS Service Discovery (as in Apple's Bonjour protocol), link-local multicast name resolution [[RFC4795](#)], and dynamic DNS [[RFC2136](#)].

These alternatives were discussed in the P2PSIP Working Group, and not pursued as a general solution for a number of reasons related to scalability, the ability to work in a disconnected state, partition recovery, and so on. However, there does seem to be some continuing interest in the possibility of using DNS-SD and mDNS for bootstrapping of P2PSIP overlays.

3.6. NAT Issues

Network Address Translators (NATs) are impediments to establishing and maintaining peer-to-peer networks, since NATs hinder direct communication between nodes. Some peer-to-peer network architectures avoid this problem by insisting that all nodes exist in the same address space. However, RELOAD provides capabilities that allow nodes to be located in multiple address spaces interconnected by NATs, to allow RELOAD messages to traverse NATs, and to assist in transmitting application-level messages (for example SIP messages) across NATs.

4. Reference Model

The following diagram shows a P2PSIP Overlay consisting of a number of Peers, one Client, and an ordinary SIP UA. It illustrates a typical P2PSIP overlay but does not limit other compositions or variations; for example, Proxy Peer P might also talk to a ordinary SIP proxy as well. The figure is not intended to cover all possible architecture variations, but simply to show a deployment with many common P2PSIP elements.

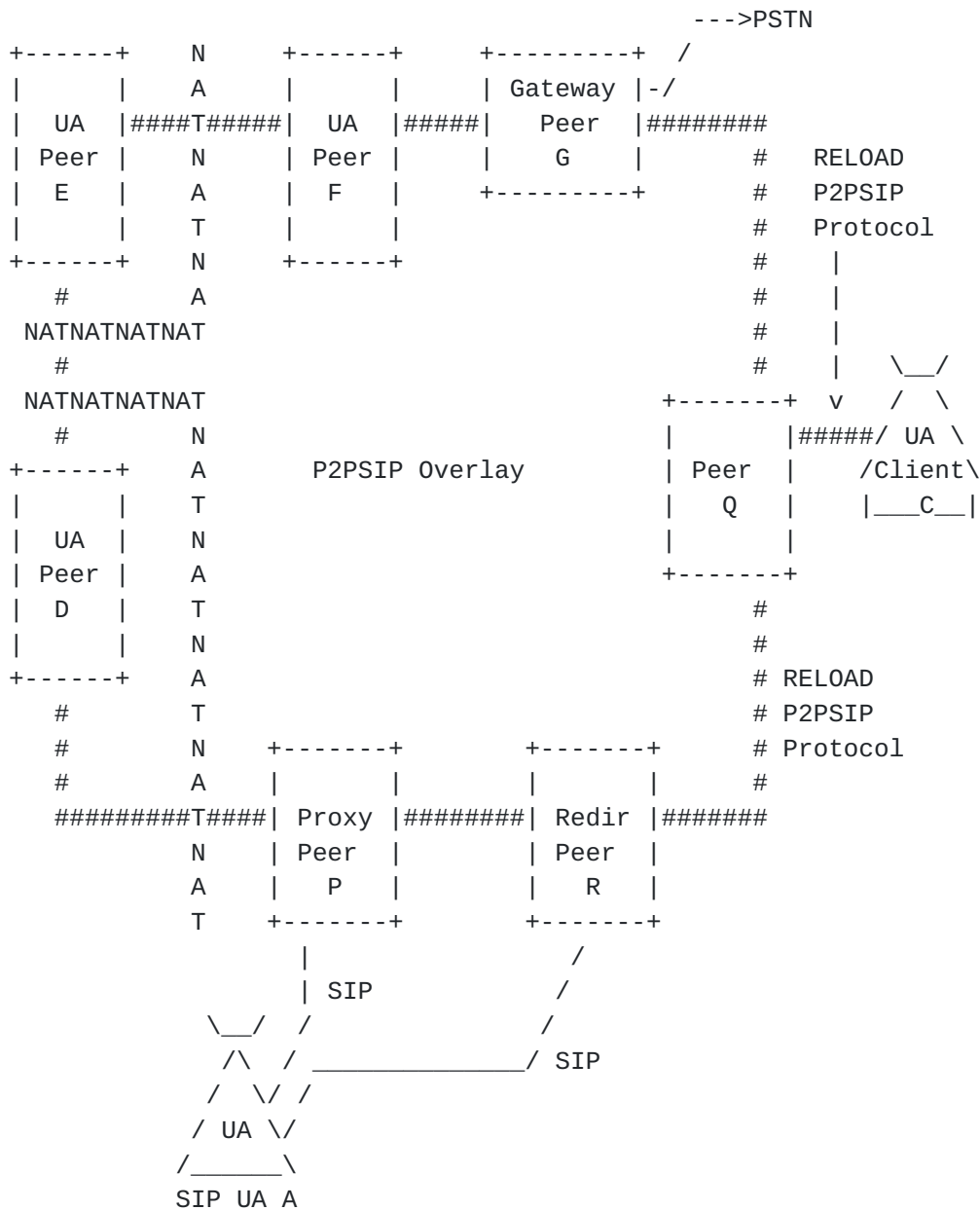


Figure: P2PSIP Overlay Reference Model

Here, the large perimeter depicted by "#" represents a stylized view of the Overlay (the actual connections could be a mesh, a ring, or some other structure). Around the periphery of the Overlay rectangle, we have a number of Peers. Each peer is labeled with its coupled SIP entity -- for example, "Proxy Peer P" means that peer P which is coupled with a SIP proxy. In some cases, a peer or client might be coupled with two or more SIP entities. In this diagram we have a PSTN gateway coupled with peer "G", three peers ("D", "E" and "F") which are each coupled with a UA, a peer "P" which is coupled with a SIP proxy, an ordinary peer "Q" with no SIP capabilities, and one peer "R" which is coupled with a SIP Redirector. Note that because these are all Peers, each is responsible for storing Resource Records and transporting messages around the Overlay.

To the left, two of the peers ("D" and "E") are behind network address translators (NATs). These peers are included in the P2PSIP overlay and thus participate in storing resource records and routing messages, despite being behind the NATs.

On the right side, we have a client "C", which uses the RELOAD Protocol to communicate with Proxy Peer "Q". The Client "C" uses RELOAD to obtain information from the overlay, but has not inserted itself into the overlay, and therefore does not participate in routing messages or storing information.

Below the Overlay, we have a conventional SIP UA "A" which is not part of the Overlay, either directly as a peer or indirectly as a client. It does not speak the RELOAD P2PSIP protocol, and is not participating in the overlay as either a Peer nor Client. Instead, it uses SIP to interact with the Overlay via an adapter peer or peers which communicate with the overlay using RELOAD.

Both the SIP proxy coupled with peer "P" and the SIP redirector coupled with peer "R" can serve as adapters between ordinary SIP devices and the Overlay. Each accepts standard SIP requests and resolves the next-hop by using the P2PSIP protocol to interact with the routing knowledge of the Overlay, then processes the SIP requests as appropriate (proxying or redirecting towards the next-hop). Note that proxy operation is bidirectional - the proxy may be forwarding a request from an ordinary SIP device to the Overlay, or from the P2PSIP overlay to an ordinary SIP device.

The PSTN Gateway at peer "G" provides a similar sort of adaptation to and from the public switched telephone network (PSTN).

5. Definitions

This section defines a number of concepts that are key to understanding the P2PSIP work.

Overlay Network: An overlay network is a computer network which is built on top of another network. Nodes in the overlay can be thought of as being connected by virtual or logical links, each of which corresponds to a path, perhaps through many physical links, in the underlying network. For example, many peer-to-peer networks are overlay networks because they run on top of the Internet. Dial-up Internet is an overlay upon the telephone network. <http://en.wikipedia.org/wiki/P2P_overlay>

P2P Network: A peer-to-peer (or P2P) computer network is a network that relies primarily on the computing power and bandwidth of the participants in the network rather than concentrating it in a relatively low number of servers. P2P networks are typically used for connecting nodes via largely ad hoc connections. Such networks are useful for many purposes. Sharing content files (see <http://en.wikipedia.org/wiki/File_sharing>) containing audio, video, data or anything in digital format is very common, and real-time data, such as telephony traffic, is also exchanged using P2P technology. <<http://en.wikipedia.org/wiki/Peer-to-peer>>. A P2P Network may also be called a "P2P Overlay" or "P2P Overlay Network" or "P2P Network Overlay", since its organization is not at the physical layer, but is instead "on top of" an existing Internet Protocol network.

P2PSIP: A suite of communications protocols related to the Session Initiation Protocol (SIP) [[RFC3261](#)] that enable SIP to use peer-to-peer techniques for resolving the targets of SIP requests, providing SIP message transport, and providing other SIP-related functions. At present, these protocols include [[RFC6940](#)], [[I-D.ietf-p2psip-sip](#)], [[I-D.ietf-p2psip-diagnostics](#)], [[I-D.ietf-p2psip-service-discovery](#)] and [[I-D.ietf-p2psip-self-tuning](#)].

User: A human that interacts with the overlay through SIP UAs located on peers and clients (and perhaps other ways).

The following terms are defined here only within the scope of P2PSIP. These terms may have conflicting definitions in other bodies of literature. Some earlier versions of this document prefixed each term with "P2PSIP" to clarify the term's scope. This prefixing has been eliminated from the text; however the scoping still applies.

Overlay Name: A human-friendly name that identifies a specific P2PSIP Overlay. This is in the format of (a portion of) a URI, but may or may not have a related record in the DNS.

Peer: A node participating in a P2PSIP Overlay that provides storage and transport services to other nodes in that P2PSIP Overlay. Each Peer has a unique identifier, known as a Peer-ID, within the Overlay. Each Peer may be coupled to one or more SIP entities. Within the Overlay, the peer is capable of performing several different operations, including: joining and leaving the overlay, transporting SIP messages within the overlay, storing information on behalf of the overlay, putting information into the overlay, and getting information from the overlay.

Node-ID: Information that uniquely identifies each Node within a given Overlay. This value is not human-friendly -- in a DHT approach, this is a numeric value in the hash space. These Node-IDs are completely independent of the identifier of any user of a user agent associated with a peer.

Client: A node participating in a P2PSIP Overlay but that does not store information or forward messages. A client can also be thought of as a peer that has not joined the overlay. Clients can store and retrieve information from the overlay.

User Name: A human-friendly name for a user. This name must be unique within the overlay, but may be unique in a wider scope. User Names are formatted so that they can be used within a URI (likely a SIP URI), perhaps in combination with the Overlay Name.

Service: A capability contributed by a peer to an overlay or to the members of an overlay. Not all peers and clients will offer the same set of services, and P2PSIP provides service discovery mechanisms to locate services.

Service Name: A unique, human-friendly, name for a service.

Resource: Anything about which information can be stored in the overlay. Both Users and Services are examples of Resources.

Resource-ID: A non-human-friendly value that uniquely identifies a resource and which is used as a key for storing and retrieving data about the resource. One way to generate a Resource-ID is by applying a mapping function to some other unique name (e.g., User Name or Service Name) for the resource. The Resource-ID is used by the distributed database algorithm to determine the peer or peers that are responsible for storing the data for the overlay.

Resource Record: A block of data, stored using distributed database mechanism of the Overlay, that includes information relevant to a specific resource. We presume that there may be multiple types of resource records. Some may hold data about Users, and others may hold data about Services, and the working group may define other types. The types, usages, and formats of the records are a question for future study.

Responsible Peer The Peer that is responsible for storing the Resource Record for a Resource. In the literature, the term "Root Peer" is also used for this concept.

Peer Protocol: The protocol spoken between P2PSIP Overlay peers to share information and organize the P2PSIP Overlay Network. In P2PSIP, this is implemented using the RELOAD [[RFC6940](#)] protocol.

Client Protocol: The protocol spoken between Clients and Peers. In P2PSIP and RELOAD, this is the same protocol syntactically as the Peer Protocol. The only difference is that Clients are not routing messages or routing information, and have not (or can not) insert themselves into the overlay.

Peer Protocol Connection / P2PSIP Client Protocol Connection: The TLS, DTLS, TCP, UDP or other transport layer protocol connection over which the RELOAD Peer Protocol messages are transported.

Neighbors: The set of P2PSIP Peers that a Peer or Client know of directly and can reach without further lookups.

Joining Peer: A node that is attempting to become a Peer in a particular Overlay.

Bootstrap Peer: A Peer in the Overlay that is the first point of contact for a Joining Peer. It selects the peer that will serve as the Admitting Peer and helps the joining peer contact the admitting peer.

Admitting Peer: A Peer in the Overlay which helps the Joining Peer join the Overlay. The choice of the admitting peer may depend on the joining peer (e.g., depend on the joining peer's Peer-ID). For example, the admitting peer might be chosen as the peer which is "closest" in the logical structure of the overlay to the future position of the joining peer. The selection of the admitting peer is typically done by the bootstrap peer. It is allowable for the bootstrap peer to select itself as the admitting peer.

Bootstrap Server: A network node used by Joining Peers to locate a Bootstrap Peer. A Bootstrap Server may act as a proxy for messages between the Joining Peer and the Bootstrap Peer. The Bootstrap Server itself is typically a stable host with a DNS name that is somehow communicated (for example, through configuration, specification on a web page, or using DHCP) to peers that want to join the overlay. A Bootstrap Server is NOT required to be a peer or client, though it may be if desired.

Peer Admission: The act of admitting a node (the "Joining Peer") into an Overlay as a Peer. After the admission process is over, the joining peer is a fully-functional peer of the overlay. During the admission process, the joining peer may need to present credentials to prove that it has sufficient authority to join the overlay.

Resource Record Insertion: The act of inserting a P2PSIP Resource Record into the distributed database. Following insertion, the data will be stored at one or more peers. The data can be retrieved or updated using the Resource-ID as a key.

6. Discussion

6.1. The Distributed Database Function

A P2PSIP Overlay functions as a distributed database. The database serves as a way to store information about Resources. A piece of information, called a Resource Record, can be stored by and retrieved from the database using a key associated with the Resource Record called its Resource-ID. Each Resource must have a unique Resource-ID. In addition to uniquely identifying the Resource, the Resource-ID is also used by the distributed database algorithm to determine the peer or peers that store the Resource Record in the overlay.

Users are humans that can use the overlay to do things like making and receiving calls. Information stored in the resource record associated with a user can include things like the full name of the user and the location of the UAs that the user is using (the users SIP AoR). Full details of how this is implemented using RELOAD are provided in [[I-D.ietf-p2psip-sip](#)]

Before information about a user can be stored in the overlay, a user needs a User Name. The User Name is a human-friendly identifier that uniquely identifies the user within the overlay. In RELOAD, users are issued certificates, which in the case of centrally signed certificates, identify the User Name as well as a certain number of

Resource-IDs where the user may store their information. For more information, see [[RFC6940](#)].

The P2PSIP suite of protocols also standardizes information about how to locate services. Services represent actions that a peer (and perhaps a client) can do to benefit other peers and clients in the overlay. Information that might be stored in the resource record associated with a service might include the peers (and perhaps clients) offering the service. Service discovery for P2PSIP is defined in [[I-D.ietf-p2psip-service-discovery](#)].

Each service has a human-friendly Service Name that uniquely identifies the service. Like User Names, the Service Name is not a resource-id, rather the resource-id is derived from the service name using some function defined by the distributed database algorithm used by the overlay.

A class of algorithms known as Distributed Hash Tables [<http://en.wikipedia.org/wiki/P2P_overlay>](http://en.wikipedia.org/wiki/P2P_overlay) are one way to implement the Distributed Database. The RELOAD protocol is extensible and allows many different DHTs to be implemented, but specifies a mandatory to implement DHT in the form of a modified Chord DHT. For more information, see [[Chord](#)]

6.2. Using the Distributed Database Function

While there are a number of ways the distributed database described in the previous section can be used to establish multimedia sessions using SIP, the basic mechanism defined in the RELOAD base draft and SIP usage is summarized below. This is a very simplistic overview. For more detailed information, please see the RELOAD base draft.

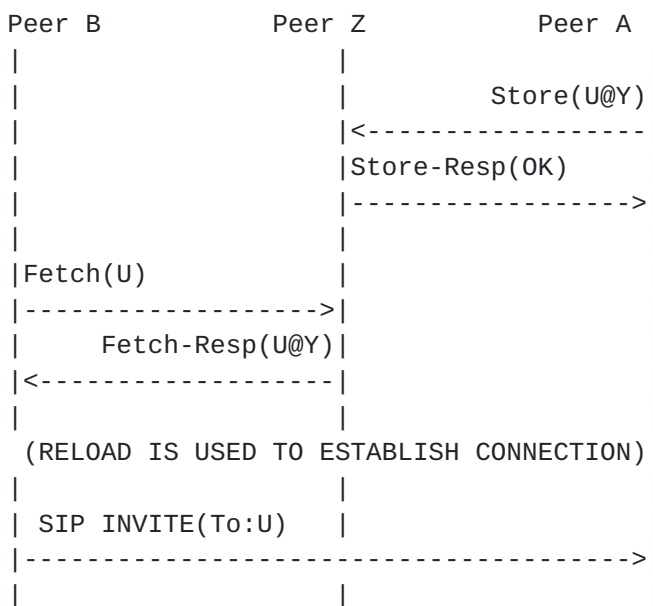
Contact information for a user is stored in the resource record for that user. Assume that a user is using a device, here called peer A, which serves as the contact point for this user. The user adds contact information to this resource record, as authorized by the RELOAD certificate mechanism. The resource record itself is stored with peer Z in the network, where peer Z is chosen by the particular distributed database algorithm in use by the overlay.

When the SIP entity coupled with peer B has an INVITE message addressed to this user, it retrieves the resource record from peer Z. It then extracts the contact information for the various peers that are a contact point for the user, including peer A, and uses the overlay to establish a connection to peer A, including any appropriate NAT traversal (the details of which are not shown).

Note that RELOAD is used only to establish the connection. Once the

connection is established, messages between the peers are sent using ordinary SIP.

This exchange is illustrated in the following figure. The notation "Store(U@A)" is used to show the distributed database operation of updating the resource record for user U with the contract A, and "Fetch(U)" illustrates the distributed database operation of retrieving the resource record for user U. Note that the messages between the peers A, B and Z may actually travel via intermediate peers (not shown) as part of the distributed lookup process or so as to traverse intervening NATs.



6.3. NAT Traversal

NAT Traversal in P2PSIP using RELOAD treats all peers as equal and establishes a partial mesh of connections between them. Messages from one peer to another are routed along the edges in the mesh of connections until they reach their destination. To make the routing efficient and to avoid the use of standard Internet routing protocols, the partial mesh is organized in a structured manner. If the structure is based on any one of a number of common DHT algorithms, then the maximum number of hops between any two peers is log N, where N is the number of peers in the overlay. Existing connections, along with the ICE NAT traversal techniques [[RFC5245](#)], are used to establish new connections between peers, and also to allow the applications running on peers to establish a connection to communicate with one another.

6.4. Locating and Joining an Overlay

Before a peer can attempt to join a P2PSIP overlay, it must first obtain a Node-ID, configuration information, and optionally a set of credentials. The Node-ID is an identifier that will uniquely identify the peer within the overlay, while the credentials show that the peer is allowed to join the overlay.

The P2PSIP WG does not impose a particular mechanism for how the peer-ID and the credentials are obtained, but the RELOAD base draft does specify the format for the configuration information, and specifies how this information may be obtained, along with credentials and a Node-ID, from an offline enrollment server.

Once the configuration information is obtained, the RELOAD base draft specifies a mechanism whereby a peer may obtain a multicast-bootstrap address in the configuration file, and can broadcast to this address to attempt to locate a bootstrap peer. Additionally, the peer may store previous peers it has seen and attempt to use these as bootstrap peers, or may obtain an address for a bootstrap peer by some other mechanism. For more information, see the RELOAD base draft.

The job of the bootstrap peer is simple: refer the joining peer to a peer (called the "admitting peer") that will help the joining peer join the network. The choice of admitting peer will often depend on the joining node - for example, the admitting peer may be a peer that will become a neighbor of the joining peer in the overlay. It is possible that the bootstrap peer might also serve as the admitting peer.

The admitting peer will help the joining peer learn about other peers in the overlay and establish connections to them as appropriate. The admitting peer and/or the other peers in the overlay will also do whatever else is required to help the joining peer become a fully-functional peer. The details of how this is done will depend on the distributed database algorithm used by the overlay.

At various stages in this process, the joining peer may be asked to present its credentials to show that it is authorized to join the overlay. Similarly, the various peers contacted may be asked to present their credentials so the joining peer can verify that it is really joining the overlay it wants to.

6.5. Clients and Connecting Unmodified SIP Devices

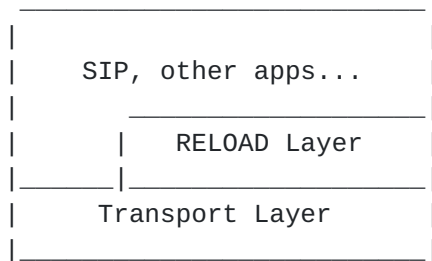
As mentioned above, in RELOAD, from the perspective of the protocol, clients are simply peers that do not store information, do not route

messages, and which have not inserted themselves into the overlay. The same protocol is used for the actual message exchanged. Note that while the protocol is the same, the client need not implement all the capabilities of a peer. If, for example, it never routes messages, it will not need to be capable of processing such messages, or understanding a DHT.

For SIP devices, another way to realize this functionality is for a Peer to behave as a [RFC3261] proxy/registrar. SIP devices then use standard SIP mechanisms to add, update, and remove registrations and to send SIP messages to peers and other clients. The authors here refer to these devices simply as a "SIP UA", not a "P2PSIP Client", to distinguish it from the concept described above.

6.6. Architecture

The architecture adopted by RELOAD to implement P2PSIP is shown below. An application, for example SIP (or another application using RELOAD) uses RELOAD to locate other peers and (optionally) to establish connections to those peers, potentially across NATs. Messages may still be exchanged directly between the peers. The overall block diagram for the architecture is as follows:



7. Open Issues

OPEN ISSUE: The initial wording in the high-level description about proving AoR to contact mapping reflects a very long and contentious debate about the role of the protocol, and reflected a pretense that this was an overlay only for P2PSIP. That is not really true in base anymore (see last paragraph of introduction) and the language has been very much genericized in base. Should we make this text more abstract and then use AoR->contact mapping as an example of the (original) use? On a related note, see the last paragraph of the Background section -- do we want to reword this?

At this point, the editors believe these additional two issues are settled, but are left here for final debate on the document before publication.

OPEN ISSUE: Should we include a section that documents previous decisions made, to preserve the historical debate and prevent past issues from being raised in the future, or simply rely on the mailing list to address these concerns? (consensus seemed to be no)

OPEN ISSUE: Should we include the use cases from [draft-bryan-p2psip-app-scenarios-00](#) (now long expired)? (consensus seemed to be no)

8. Informative References

- [Chord] Singh, K., Stoica, I., Morris, R., Karger, D., Kaashock, M., Dabek, F., and H. Balakrishnan, "Chord: A scalable peer-to-peer lookup protocol for internet applications", IEEE/ACM Transactions on Networking Volume 11 Issue 1, pp. 17-32, Feb. 2003.
- Copy available at
<http://pdos.csail.mit.edu/chord/papers/paper-ton.pdf>
- [I-D.ietf-p2psip-diagnostics] Song, H., Jiang, X., Even, R., Bryan, D., and Y. Sun, "P2P Overlay Diagnostics", [draft-ietf-p2psip-diagnostics-14](#) (work in progress), February 2014.
- [I-D.ietf-p2psip-self-tuning] Maenpaa, J. and G. Camarillo, "Self-tuning Distributed Hash Table (DHT) for REsource LOcation And Discovery (RELOAD)", [draft-ietf-p2psip-self-tuning-12](#) (work in progress), June 2014.
- [I-D.ietf-p2psip-service-discovery] Maenpaa, J. and G. Camarillo, "Service Discovery Usage for REsource LOcation And Discovery (RELOAD)", [draft-ietf-p2psip-service-discovery-12](#) (work in progress), June 2014.
- [I-D.ietf-p2psip-sip] Jennings, C., Lowekamp, B., Rescorla, E., Baset, S., Schulzrinne, H., and T. Schmidt, "A SIP Usage for RELOAD", [draft-ietf-p2psip-sip-12](#) (work in progress), January 2014.
- [RFC2136] Vixie, P., Thomson, S., Rekhter, Y., and J. Bound, "Dynamic Updates in the Domain Name System (DNS UPDATE)", [RFC 2136](#), April 1997.
- [RFC3261] Rosenberg, J., Schulzrinne, H., Camarillo, G., Johnston,

A., Peterson, J., Sparks, R., Handley, M., and E. Schooler, "SIP: Session Initiation Protocol", [RFC 3261](#), June 2002.

- [RFC3263] Rosenberg, J. and H. Schulzrinne, "Session Initiation Protocol (SIP): Locating SIP Servers", [RFC 3263](#), June 2002.
- [RFC3986] Berners-Lee, T., Fielding, R., and L. Masinter, "Uniform Resource Identifier (URI): Generic Syntax", STD 66, [RFC 3986](#), January 2005.
- [RFC4795] Aboba, B., Thaler, D., and L. Esibov, "Link-local Multicast Name Resolution (LLMNR)", [RFC 4795](#), January 2007.
- [RFC5245] Rosenberg, J., "Interactive Connectivity Establishment (ICE): A Protocol for Network Address Translator (NAT) Traversal for Offer/Answer Protocols", [RFC 5245](#), April 2010.
- [RFC5766] Mahy, R., Matthews, P., and J. Rosenberg, "Traversal Using Relays around NAT (TURN): Relay Extensions to Session Traversal Utilities for NAT (STUN)", [RFC 5766](#), April 2010.
- [RFC6940] Jennings, C., Lowekamp, B., Rescorla, E., Baset, S., and H. Schulzrinne, "REsource LOcation And Discovery (RELOAD) Base Protocol", [RFC 6940](#), January 2014.

Authors' Addresses

David A. Bryan
Cogent Force, LLC
Cedar Park, TX, Texas
USA

Email: dbryan@ethernet.org

Philip Matthews
Alcatel-Lucent
600 March Road
Ottawa, Ontario K2K 2E6
Canada

Phone: +1 613 784 3139
Email: philip_matthews@magma.ca

Eunsoo Shim
Samsung Electronics Co., Ltd.
San 14, Nongseo-dong, Giheung-gu,
Yongin-si, Gyeonggi-do, 446-712
South Korea

Email: eunsooshim@gmail.com

Dean Willis
Softarmor Systems
3100 Independence Pkwy #311-164
Plano, Texas 75075
USA

Phone: +1 214 504 1987
Email: dean.willis@softarmor.com

Spencer Dawkins
Huawei Technologies (USA)

Phone: +1 214 755 3870
Email: spencerdawkins.ietf@gmail.com

