

Internet Engineering Task Force
Internet-Draft
Intended status: Standards Track
Expires: January 25, 2015

Yimin Shen
Juniper Networks
Rahul Aggarwal
Arktan, Inc
Wim Henderickx
Alcatel-Lucent
Yuanlong Jiang
Huawei Technologies
July 24, 2014

PW Endpoint Fast Failure Protection
draft-ietf-pwe3-endpoint-fast-protection-01

Abstract

This document specifies a fast mechanism for protecting pseudowires against egress endpoint failures, including egress attachment circuit failure, egress PE failure, multi-segment PW terminating PE failure, and multi-segment PW switching PE failure. Designed on the basis of multi-homed CE, PW redundancy, upstream label assignment and context specific label switching, the mechanism enables local repair to be performed by the router upstream adjacent to a failure. In particular, the router can restore PW traffic in the order of tens of milliseconds, by transmitting the traffic to a protector through a pre-established bypass tunnel. Therefore, the mechanism can reduce traffic loss before global repair reacts to the failure and the network converges on the topology changes due to the failure.

Status of This Memo

This Internet-Draft is submitted in full conformance with the provisions of [BCP 78](#) and [BCP 79](#).

Internet-Drafts are working documents of the Internet Engineering Task Force (IETF). Note that other groups may also distribute working documents as Internet-Drafts. The list of current Internet-Drafts is at <http://datatracker.ietf.org/drafts/current/>.

Internet-Drafts are draft documents valid for a maximum of six months and may be updated, replaced, or obsoleted by other documents at any time. It is inappropriate to use Internet-Drafts as reference material or to cite them other than as "work in progress."

This Internet-Draft will expire on January 25, 2015.

Copyright Notice

Copyright (c) 2014 IETF Trust and the persons identified as the document authors. All rights reserved.

This document is subject to [BCP 78](#) and the IETF Trust's Legal Provisions Relating to IETF Documents (<http://trustee.ietf.org/license-info>) in effect on the date of publication of this document. Please review these documents carefully, as they describe your rights and restrictions with respect to this document. Code Components extracted from this document must include Simplified BSD License text as described in Section 4.e of the Trust Legal Provisions and are provided without warranty as described in the Simplified BSD License.

Table of Contents

1.	Introduction	3
2.	Specification of Requirements	4
3.	Reference Models and Failure Cases	4
3.1.	Single-Segment PW	4
3.2.	Multi-Segment PW	6
4.	Theory of Operation	8
4.1.	Local Repair and Protector	8
4.2.	Context Identifier	11
4.2.1.	Semantics	11
4.2.2.	Advertisement and Path Computation	12
4.3.	Protection Models	12
4.3.1.	Co-located Protector	13
4.3.2.	Centralized Protector	14
4.4.	Transport Tunnel	16
4.5.	Bypass Tunnel	17
4.6.	Forwarding State on Protector	17
4.6.1.	Examples of Co-located Protector	18
4.6.2.	Examples of Centralized Protector	18
5.	LDP Extensions	18
5.1.	Egress Protection Capability TLV	19
5.2.	PW Label Distribution from Primary PE to Protector	20
5.3.	PW Label Distribution from Backup PE to Protector	21
5.4.	Protection FEC Element TLV	21
5.4.1.	Encoding Format for PWid	22
5.4.2.	Encoding Format for Generalized PWid	24
6.	Revertive Behavior	25
7.	IANA Considerations	26
8.	Security Considerations	26
9.	Acknowledgements	26
10.	References	27
10.1.	Normative References	27

[10.2.](#) Informative References [28](#)
 Authors' Addresses [28](#)

1. Introduction

Per [RFC 3985](#), [RFC 4447](#) and [RFC 5659](#), a pseudowire (PW) or PW segment can be thought of as a connection between a pair of forwarders hosted by two PEs, carrying an emulated layer-2 service over a packet switched network (PSN). In the single-segment PW (SS-PW) case, a forwarder binds a PW to an attachment circuit (AC). In the multi-segment PW (MS-PW) case, a forwarder on a terminating PE (T-PE) binds a PW segment to an AC, while a forwarder on a switching PE (S-PE) binds one PW segment to another PW segment. In each direction between the PEs, PW packets are transported by a PSN tunnel, which is called a transport tunnel.

In order to protect the layer-2 service against network failures, it is necessary to protect every link and node along the entire data path. For the traffic in a given direction, this include ingress AC, ingress (T-)PE, intermediate routers of transport tunnel, S-PEs, egress (T-)PE, and egress AC. To minimize service disruption upon a failure, it is also desirable that each of these components is protected by a fast protection mechanism based on local repair. Such a mechanism generally involves a bypass path that is pre-computed and pre-installed on the router upstream adjacent to an anticipated failure. The bypass path has the property that it can guide traffic around the failure, while remaining unaffected by the topology changes resulting from the failure. Thus, when the failure occurs, the router can invoke the bypass path to achieve fast restoration for the service.

Today, fast protection against ingress AC failure and ingress (T-)PE failure is achievable by using a multi-homed CE and redundant PWs. Fast protection against failure of intermediate router is achievable through RSVP fast-reroute ([RFC 4090](#)) or IP/LDP fast-reroute ([RFC 5714](#), [RFC 5286](#)). However, there is a lack of equivalent mechanism against egress AC failure, egress (T-)PE failure, and S-PE failure. For these failures, service restoration has to rely on global repair or control plane repair. Global repair is normally driven by ingress CE or ingress (T-)PE, and dependent on PW status notification or end-to-end OAM. Control plane repair is dependent on protocol convergence. Therefore, both mechanisms are relatively slow in reacting to the failures and restoring traffic.

This document is intended to serve the above need. It specifies a fast protection mechanism based on local repair technique to protect PWs against the following egress endpoint failures.

- a. Egress AC failure.
- b. Egress PE failure: Node failure of an egress PE of an SS-PW, or a T-PE of an MS-PW.
- c. Switching PE failure: Node failure of an S-PE of an MS-PW.

The mechanism is applicable to LDP signaled PWs. It is relevant to networks with redundant PWs and multi-homed CEs. It is designed on the basis of MPLS upstream label assignment and context-specific label switching ([RFC 5331](#)). Fast protection refers to the ability to restore traffic upon a failure in the order of tens of milliseconds. This is achieved by establishing local protection at the router upstream adjacent to an anticipated failure. Compared with the existing global repair and control plane repair mechanisms, this mechanism can provide faster service restoration. However, it is intended to complement those mechanisms, rather than replacing them in any way.

2. Specification of Requirements

The key words "MUST", "MUST NOT", "REQUIRED", "SHALL", "SHALL NOT", "SHOULD", "SHOULD NOT", "RECOMMENDED", "MAY", and "OPTIONAL" in this document are to be interpreted as described in [RFC 2119](#).

3. Reference Models and Failure Cases

This document refers to the following topologies to describe failure scenarios and protection procedures. These topologies involve multi-homed CEs and redundant PWs, which are commonly seen in networks with global repair mechanisms. The mechanism in this document intends to use these topologies for local repair purposes. This SHALL enable local repair and global repair to work in tandem to achieve broader coverage of protection for services.

3.1. Single-Segment PW

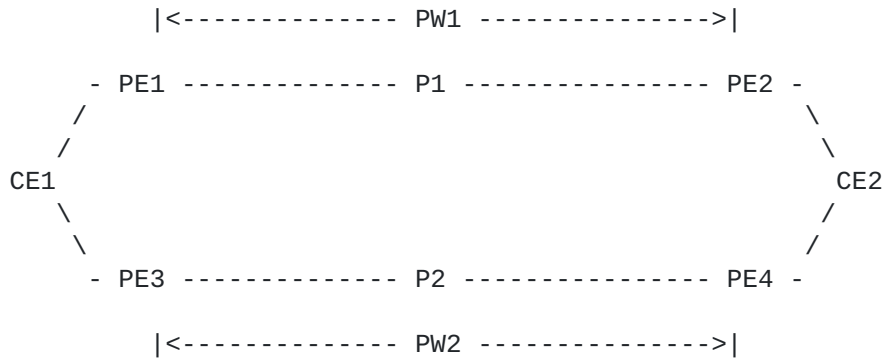


Figure 1

In Figure 1, the IP/MPLS network consists of PE-routers and P-routers. It provides an emulation of a layer-2 service between CE1 and CE2.

Each CE is multi-homed to two PEs. Hence, there are two divergent paths between the CEs. The first path uses PW1 established between PE1 and PE2, connecting the AC CE1-PE1 and the AC CE2-PE2. The second path uses PW2 established between PE3 and PE4, connecting the AC CE1-PE3 and the AC CE2-PE4. The operational states of all the PWs and ACs are up. The transport tunnels of the PWs are not shown in this figure for clarity.

At any given time, each CE sends traffic via only one AC and receives traffic via only one AC. The two ACs MAY or MAY NOT be the same. The AC used to send traffic is determined by the CE, and MAY rely on an end-to-end OAM mechanism between the CEs. The AC used for the CE to receive traffic is determined by the state of the network and the protection mechanism in use, as described later in this document.

From the perspective of traffic flowing towards a given CE, the set of PWs, PEs and ACs involved can be viewed to serve primary and backup (or active and standby) roles. When the network is in a steady state, the PW that is intended to carry the traffic is referred to as a primary PW. The PE at the egress of the primary PW is a primary PE. The AC connecting the CE and the primary PE is a primary AC. The other PW may be used to carry the traffic upon a network failure, and is referred to as a backup PW. The PE at the egress of the backup PW is a backup PE. The AC connecting the CE and the backup PE is a backup AC.

In this document, the following primary and backup roles are assigned for the traffic going from CE1 to CE2:

Primary PW: PW1

Primary PE: PE2

Primary AC: CE2-PE2

Backup PW: PW2

Backup PE: PE4

Backup AC: CE2-PE4

In this case, an egress AC failure refers to the failure of the AC CE2-PE2. An egress node failure refers to the failure of PE2.

The backup PE, backup PW and backup AC may be used to carry traffic after a PW endpoint failure, when CE1 and CE2 switches traffic to PW2 in local repair or global repair, as described later in this document.

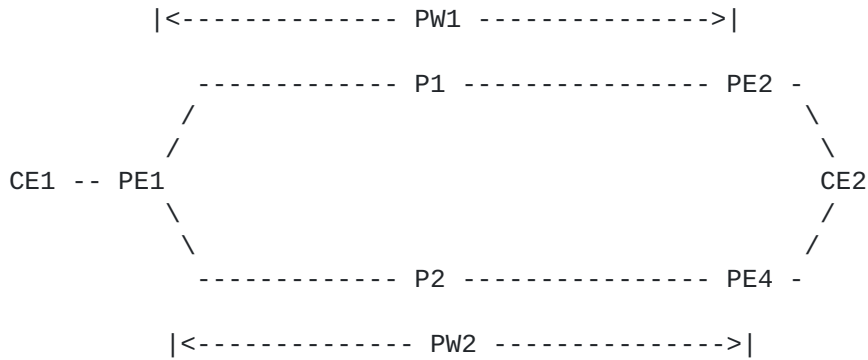


Figure 2

Figure 2 shows another possible scenario, where CE1 is single-homed to PE1, while CE2 remains multi-homed to PE2 and PE4. From the perspective of egress protection for the traffic from CE1 to CE2, this topology is not much different than Figure 1. However, for the traffic in the direction from CE2 to CE1, PE1 must anticipate traffic on both PW1 and PW2, and sends it to CE1 over the AC CE1-PE1.

3.2. Multi-Segment PW

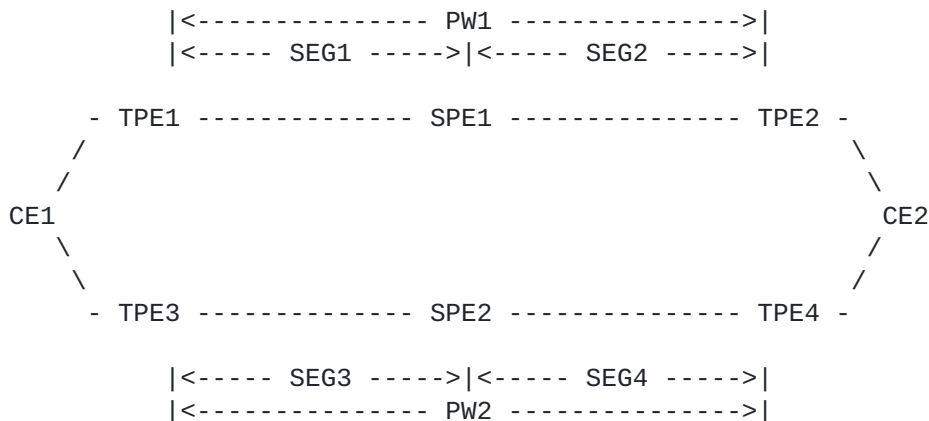


Figure 3

Figure 3 shows a topology that is similar to Figure 1 but in an MS-PW environment. PW1 and PW2 are both MS-PWs. PW1 is established between TPE1 and TPE2, and switched between segments SEG1 and SEG2 at SPE1. PW2 is established between TPE3 and TPE4, and switched between segments SEG3 and SEG4 at SPE2. CE1 is multi-homed to TPE1 and TPE3. CE2 is multi-homed to TPE2 and TPE4. The transport tunnels of the PW segments are not shown in this figure for clarity.

In this document, the following primary and backup roles are assigned for the traffic going from CE1 to CE2:

- Primary PW: PW1
- Primary T-PE: TPE2
- Primary S-PE: SPE1
- Primary AC: CE2-TPE2
- Backup PW: PW2
- Backup T-PE: TPE4
- Backup S-PE: SPE2
- Backup AC: CE2-TPE4

In this case, an egress AC failure refers to the failure of the AC CE2-TPE2. An egress node failure refers to the failure of TPE2. An S-PE failure refers to the failure of SPE1.

The backup T-PE, backup PW and backup AC are used for protecting the primary PW against egress AC failure and egress node failure. The backup S-PE and the backup PW are used for protecting the primary PW against S-PE failure, as described later in this document.

For consistency with the SS-PW scenario, primary T-PEs and a primary S-PEs may simply be referred to as primary PEs in this document, where specifics is not required. Similarly, backup T-PEs and backup S-PEs may be referred to as backup PEs.

4. Theory of Operation

The fast protection mechanism in this document provides three types of protection for PWs, corresponding to the three types of failures described in [Section 1](#).

- a. Egress AC protection
- b. Egress (T-)PE node protection
- c. S-PE node protection

The mechanism assumes a multi-homed CE with connectivity to a primary PE and a backup PE, and the existence of a backup PW in the network. In S-PE node protection, it also assumes the existence of a backup S-PE on the backup PW.

4.1. Local Repair and Protector

The mechanism relies on local repair to be performed by routers upstream adjacent to failures. Each of these routers is referred to as a "point of local repair" (PLR). A PLR MUST be able to detect a failure by using a rapid mechanism, such as physical layer failure detection, Bidirectional Failure Detection (BFD) ([RFC 5880](#)), etc. In anticipation of the failure, the PLR MUST also pre-establish a bypass PSN tunnel to a "protector", and pre-install a bypass route in the data plane. The bypass tunnel MUST have the property that it will not be affected by the topology changes in the event of the failure. Upon detecting the failure, the PLR MUST invoke the bypass route in the data plane, and reroute PW traffic to the protector through the bypass tunnel. The protector MUST in turn send the traffic to the target CE. This procedure is referred to as local repair.

Different routers may serve as PLR and protector in different scenarios.

- o In egress AC protection, the PLR is the primary PE that terminates the primary PW and hosts the primary AC, and the protector is the backup PE (Figure 4).

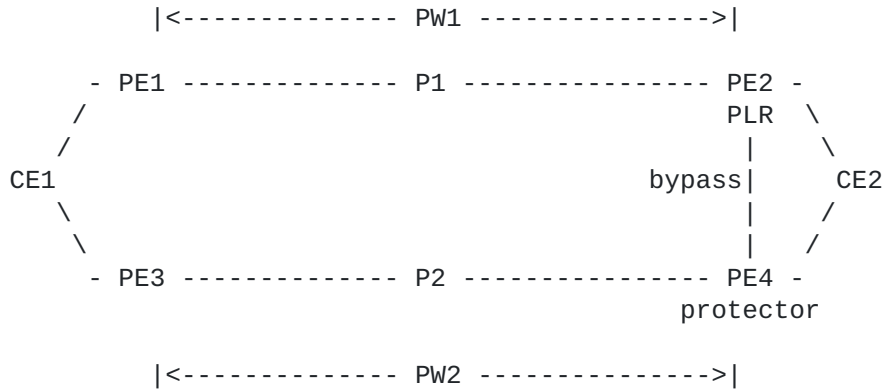


Figure 4

- o In egress PE node protection, the PLR is the penultimate hop router of the transport tunnel of the primary PW, and the protector is the backup PE (Figure 5).

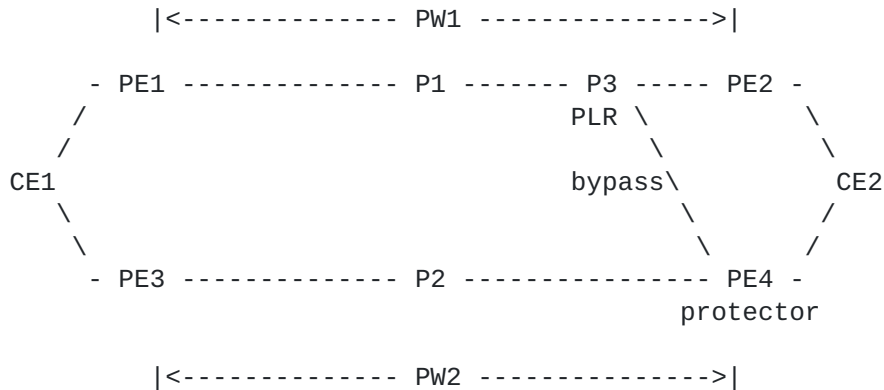


Figure 5

- o In S-PE node protection, the PLR is the penultimate hop router of the transport tunnel of the primary PW segment, and the protector is the backup S-PE (Figure 6).

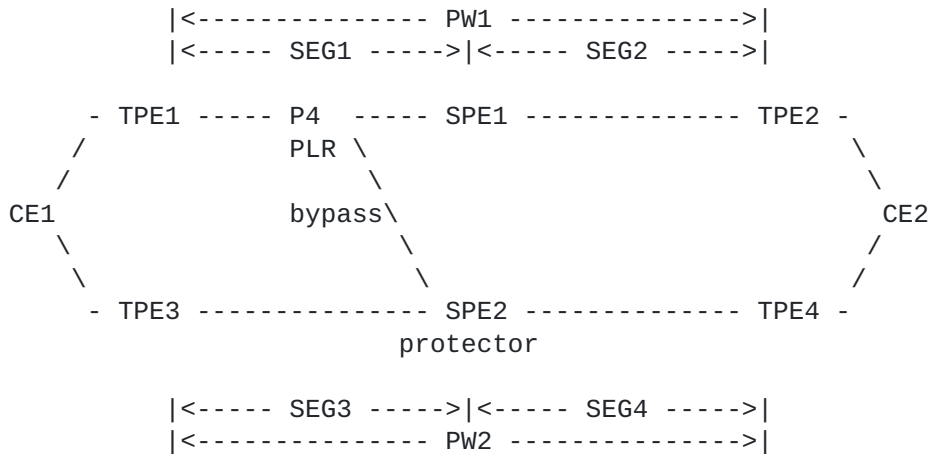


Figure 6

A PLR can realize its role based on configuration or the signaling of transport tunnel. For example, in the case where the transport tunnel is signaled by RSVP, the penultimate hop router could realize that it is the PLR for egress (T-)PE or S-PE failure based on the RRO in Resv message, which should indicate that the router is one hop away from the PE. The detail of how this could be achieved on a per-protocol basis is out of the scope of this document.

In all scenarios, when a PLR reroutes traffic through a bypass tunnel to a protector during local repair, it MUST keep the label of the primary PW intact in the packets. This obviates the need for the PLR to maintain bypass routes on a per-PW basis, and allows a single bypass tunnel to carry traffic for multiple PWs.

The procedure also requires that the protector SHOULD be able to forward the traffic based on a PW label that is assigned by the primary PE, and ensure the traffic to eventually reach the target CE. From the protector's perspective, this PW label is an upstream assigned label ([RFC 5331](#)). To accomplish this, the protector SHOULD learn the PW label from the primary PE prior to the failure, and install proper forwarding state for the PW label in a dedicated label space for the primary PE. During local repair, the protector SHOULD perform PW label lookup in this label space.

The above examples have shown the scenarios where the protectors are backup (T/S-)PEs. In other scenarios, a protector may be a dedicated router that assumes such role, separate from the backup (T/S-)PE of a primary PW. During local repair, the PLR MUST still reroute traffic to the protector through a bypass tunnel. The protector MUST in turn send the traffic to the backup (T/S-)PE, which MUST then send the

traffic to the target CE via a backup AC or a backup PW segment. More detail will be described in [Section 4.3](#).

4.2. Context Identifier

A protector MAY protect multiple primary PEs. The protector MUST maintain a separate label space for each primary PE. Likewise, the PWs terminated on a primary PE MAY be protected by multiple protectors, each for a subset of the PWs. In any case, a given primary PW SHOULD be associated with one and only one pair of {primary PE, protector}.

An IPv4/v6 address is assigned to each ordered pair of {primary PE, protector} to facilitate protection establishment. This address is referred to as a "context identifier". It MUST be globally unique, or unique in the address space of the network where the primary PE and the protector reside.

4.2.1. Semantics

The semantics of a context identifier is twofold.

- o It identifies a primary PE and an associated protector. In other words, it identifies a primary PE on a per protector basis. A given primary PE may be protected by multiple protectors, each for a subset of the primary PWs terminated on the primary PE. A distinct context identifier MUST be assigned to the primary PE and each protector.

For each primary PW, its ingress PE MUST set up or resolve a transport tunnel with destination as the context identifier of the {primary PE, protector}, rather than a private IP address of the primary PE. This not only allows the transport tunnel to reach the primary PE, but also conveys the identity of the protector to the PLR(s) along the transport tunnel. Each PLR can in turn use this information to set up a bypass tunnel to the protector without relying on local configuration.

- o It identifies the primary PE's label space on the protector. The protector may protect PWs for multiple primary PEs. For each primary PE, it MUST maintain a separate label space to store the PW labels assigned by that primary PE. It MUST associate a PW label with a label space via the context identifier of the {primary PE, protector}, as described below.

In addition to the normal LDP PW signaling, the primary PE MUST have a targeted LDP session with the protector, and advertise PW labels to the protector via LDP Label Mapping messages (See

[Section 5](#) for detail). The primary PE MUST attach the context identifier to each message. Upon receiving the message, the protector MUST install the advertised PW label in the label space identified by the context identifier.

When a PLR sets up or resolve a bypass tunnel to the protector, it MUST set the destination to the context identifier, rather than a private IP address of the protector. Once established, the bypass tunnel, with either its MPLS label or IP tunnel destination address, is used as the identifier of label space. On the protector, all PW packets received on the bypass tunnel MUST be forwarded based on a label lookup in that label space.

4.2.2. Advertisement and Path Computation

Using a context identifier as destination for both transport tunnel and bypass tunnel requires both the primary PE and the protector to advertise the context identifier via IGP as an IP address reachable through both routers in routing domain and/or TE domain. This imposes the following requirements on path computation for these tunnels.

- o For the transport tunnel, the ingress PE MUST choose the primary PE as the actual endpoint.
- o For the bypass tunnel, the PLR MUST choose the protector as the actual endpoint. In egress (T-)PE node protection and S-PE node protection, the bypass tunnel MUST avoid the primary (S-)PE.

The detail of how the primary PE and the protector may advertise a context identifier is independent of this mechanism and out of the scope of this document. One approach would be to advertise it as a virtual proxy node connected to both routers, with the link between the proxy node and the primary PE having a more preferable IGP or TE metric than the link between the proxy node and the protector. The ultimate goal is for a path computation algorithm, such as CSPF (constrained shortest path first), LFA ([RFC 5286](#)) and MRT ([IP-LDP-FRR-MRT]), to be able to compute the paths that meet the above requirements.

4.3. Protection Models

There are two protection models based on the location of a protector. A network MAY use either model, or a combination of both.

4.3.1. Co-located Protector

In this model, the protector is a backup PE that is directly connected to the target CE via a backup AC, or it is a backup S-PE on a backup PW. That is, the protector is co-located with the backup (S-)PE. Examples of this model have been introduced in Figure 4, Figure 5 and Figure 6 in [Section 4.1](#).

In egress AC protection and egress PE node protection, when a protector receives traffic from the PLR, it forwards the traffic to the CE via the backup AC. This is shown in Figure 7, where PE2 is the PLR for egress AC failure, P3 is the PLR for PE2 failure, and PE4 (the backup PE) is the protector.

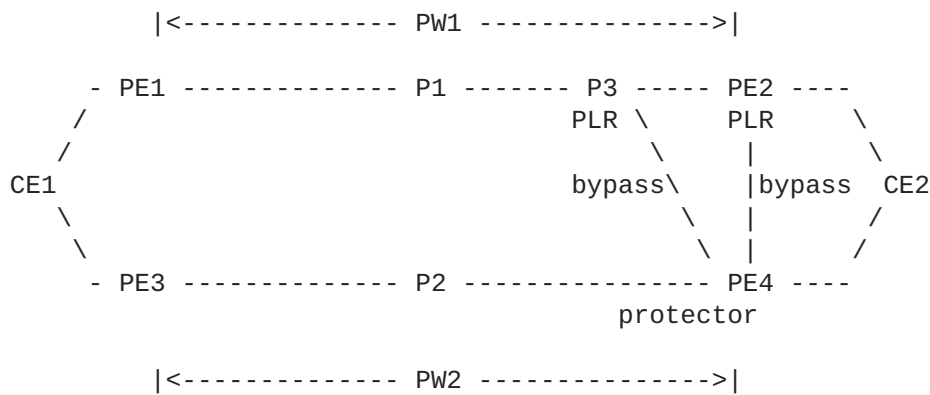


Figure 7

In S-PE node protection, when a protector receives traffic from the PLR, it MUST forward the traffic via the next segment of the backup PW. The T-PE of the backup PW MUST in turn forward the traffic to the CE via a backup AC. This is shown in Figure 8, where P4 is the PLR for SPE1 failure, and SPE2 (the backup S-PE) is the protector for SPE1.

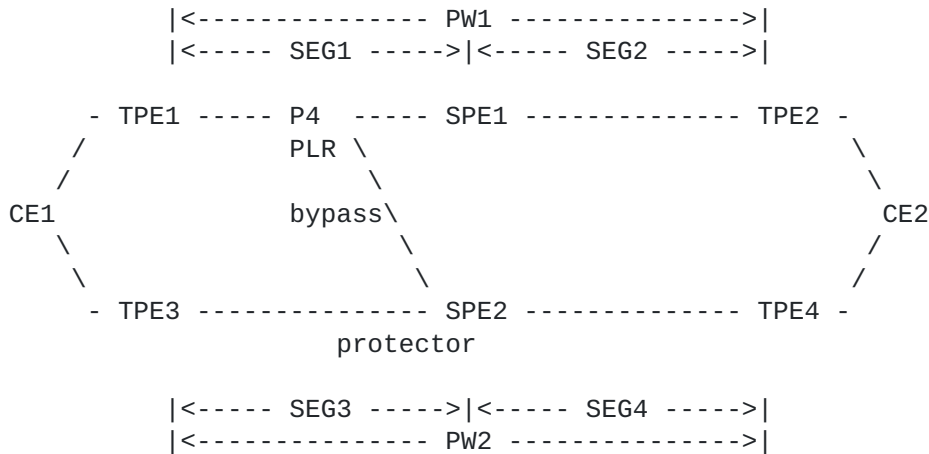


Figure 8

In the co-located protector model, the number of context identifiers needed by a network is the number of distinct {primary PE, backup PE} pairs. From the perspective of scalability, the model is suitable for networks where the number of backup PEs for any given primary PE is relatively small.

4.3.2. Centralized Protector

In this model, the protector is a dedicated P router or PE router that serves the role. In egress AC protection and egress PE node protection, the protector MAY or MAY NOT be a backup PE with a direct connection to the target CE. In S-PE node protection, the protector MAY or MAY NOT be a backup S-PE on the backup PW.

In egress AC protection and egress PE node protection, when the protector receives traffic from the PLR, if the protector has a direct connection (i.e. backup AC) to the CE, it MUST forward the traffic to the CE via the backup AC, which is similar to Figure 7. Otherwise, it MUST forward the traffic to a backup PE, which MUST then forward the traffic to the CE via a backup AC. This is shown in Figure 9, where the protector receives traffic from P3 (the PLR for egress PE failure) or PE2 (the PLR for egress AC failure) and forwards the traffic to PE4 (the backup PE). The protector may be protecting other PWs as well, which is not shown in this figure for clarity.

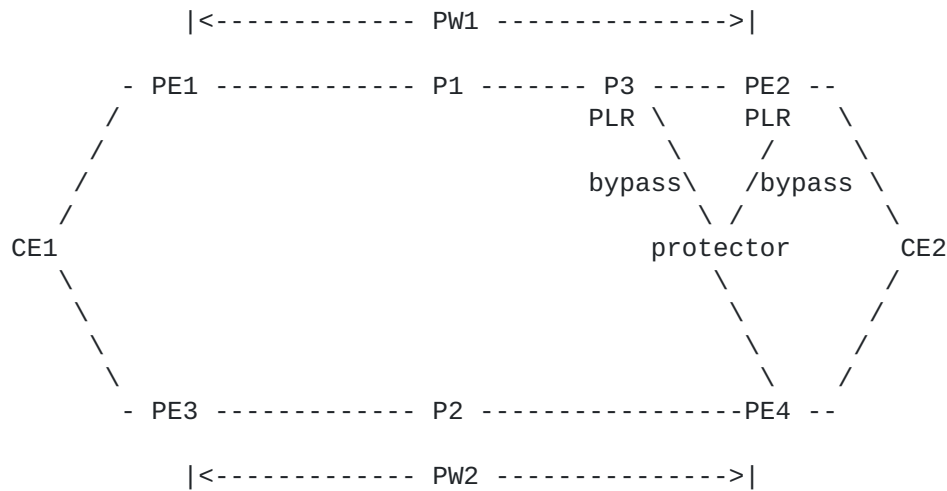


Figure 9

In S-PE node protection, when the protector receives traffic from the PLR, if the protector is a backup S-PE of the backup PW, it MUST forward the traffic via the next segment of the backup PW, and the T-PE of the backup PW MUST forward the traffic to the CE via a backup AC, which is similar to Figure 8. Otherwise, the protector MUST first forward the traffic to the backup S-PE, which MUST then forward the traffic via the next segment of the backup PW. Finally, the T-PE of the backup PW MUST forward the traffic to the CE via a backup AC. This is shown in Figure 10, where the protector forwards traffic to SPE2 (the backup S-PE), SPE2 forwards the traffic to TPE4 via SEG4, and TPE4 finally forwards traffic to CE2. The protector may be protecting other PW segments as well, which is not shown in this figure for clarity.

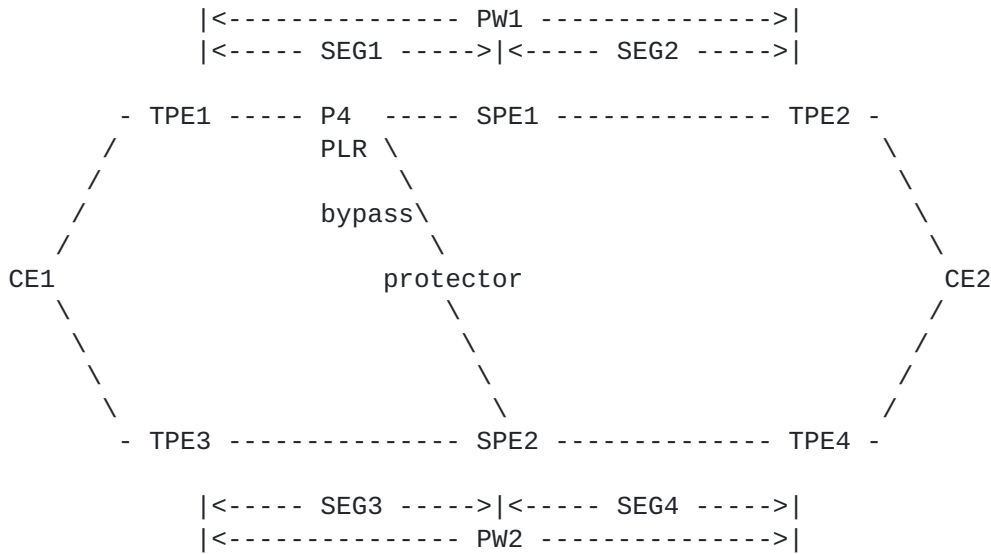


Figure 10

The centralized protector model provides the convenience for multiple primary PEs to share one protector. Each primary PE MAY only need the one protector to protect all of its PWs. From the perspective of scalability, the number of context identifiers needed by a network MAY be bound to the number of primary PEs.

4.4. Transport Tunnel

The ingress PE of a primary PW associates the PW with the primary egress PE through LDP signaling. In addition, as mentioned in [Section 4.2.1](#), the ingress PE MUST associate the transport tunnel of the PW with the context identifier of the {primary PE, protector}, and set up or resolve the transport tunnel by using the context identifier as destination. This not only ensures that PW traffic be transported to the primary PE, but also facilitates bypass tunnel establishment at PLR(s), as the context identifier implies the identity of the protector as well. This is also the case for a multi-segment PW, where the ingress PE and egress PE are T/S-PEs.

The association between the transport tunnel and the context identifier at the ingress PE MAY be achieved by configuration or an auto-discovery mechanism. In the later case, the ingress PE MAY learn the context identifier from the primary (egress) PE, if the primary PE advertises the context identifier as "third party next hop" in IPv4/v6 Interface_ID TLV ([RFC 3471](#), [RFC 3472](#)) in the LDP Label Mapping message of the primary PW.

4.5. Bypass Tunnel

A PLR may protect multiple PWs associated with one or multiple pairs of {primary PE, protector}. The PLR MUST establish a bypass tunnel to each protector for each distinct context identifier associated with that protector. The destination of the bypass tunnel MUST be the context identifier ([Section 4.2.1](#)). The PLR may derive the context identifier from the destination of the transport tunnel that traverses it.

For examples, in Figure 7 and Figure 9, a bypass tunnel is established from PE2 (PLR for egress AC failure) to the protector, and another bypass tunnel is established from P3 (PLR for egress node failure) to the protector. In Figure 8 and Figure 10, a bypass tunnel is established from P4 (PLR for S-PE failure) to the protector.

During local repair, the PLR reroutes traffic to the protector through a bypass tunnel with PW label intact in the packets. This normally involves pushing a label to the label stack, if the bypass tunnel is an MPLS tunnel, or pushing an IP header to the packets, if the bypass tunnel is an IP tunnel. The protector MUST in turn forward the traffic based on the PW label. To achieve such kind of forwarding, the protector MUST rely on the bypass tunnel as a context to determine the primary PE's label space. If the bypass tunnel is an MPLS tunnel, the protector MUST have assigned a non-reserved label to the bypass tunnel during the establishment of the bypass tunnel, and hence this label can serve as the context. If the bypass tunnel is an IP tunnel, the protector can simply rely on the context identifier carried as the destination address in IP header.

A bypass tunnel MUST have the property that it is not affected by the topology changes caused by the failure. Therefore, it can be used to transmit traffic for local repair. It SHOULD remain effective, until the traffic is moved to another fully functional egress AC, PW and/or transport tunnel.

4.6. Forwarding State on Protector

A protector MUST learn PW labels from all the primary PEs that it protects ([Section 5.2](#)), and maintain the PW labels in respective label spaces of the primary PEs. In the control plane, a label space is identified by the context identifier of a pair of {primary PE, protector}. In the forwarding plane, it is indicated by the bypass tunnel(s) destined for the context identifier.

4.6.1. Examples of Co-located Protector

In Figure 7, PE4 is a co-located protector that protects PW1 against egress AC failure and egress node failure. It maintains a label space for PE2, which is identified by the context identifier of {PE2, PE4}. It learns PW1's label from PE2, and installs a forwarding entry for the label in that label space. The nexthop of the forwarding entry indicates a label pop with outgoing interface pointing to the backup AC CE2-PE4.

In Figure 8, SPE2 is a co-located protector that protects PW1 against S-PE failure. It maintains a label space for SPE1, which is identified by the context identifier of {SPE1, SPE2}. It learns SEG1's label from SPE1, and installs a forwarding entry in the label space. The nexthop of the forwarding entry indicates a label swap to SEG4's label.

4.6.2. Examples of Centralized Protector

In the centralized protector model, for each primary PW of which the protector is not a backup (S-)PE, the protector MUST also learn the label of the backup PW from the backup (S-)PE ([Section 5.3](#)). This is the backup (S-)PE that the protector will forward traffic to. The protector MUST install a forwarding entry with label swap from the primary PW's label to the backup PW's label.

In Figure 9, the protector is a centralized protector that protects PW1 against egress AC failure and egress node failure. It maintains a label space for PE2, which is identified by the context identifier of {PE2, protector}. It learns PW1's label from PE2, and PW2's label from PE4. It installs a forwarding entry for PW1's label in the label space. The nexthop of the forwarding entry indicates a label swap to PW2's label.

In Figure 10, the protector is a centralized protector that protects the PW segment SEG1 of PW1 against the node failure of SPE1. It maintains a label space for SPE1, which is identified by the context identifier of {SPE1, protector}. It learns SEG1's label from SPE1, and learns SEG3's label from SPE2. It installs a forwarding entry for SEG1's label in the label space. The nexthop of the forwarding entry indicates a label swap to SEG3's label.

5. LDP Extensions

As described in previous sections, a targeted LDP session MUST be established between each pair of primary PE and protector. The primary PE sends Label Mapping message over this session to advertise primary PW labels to the protector. In the centralized protector

model, a targeted LDP session MUST also be established between a backup (S-)PE and a protector. The backup PE sends Label Mapping message over this session to advertise backup PW labels to the protector.

To facilitate the procedures, this document defines a new "Protection FEC Element" TLV. The Label Mapping messages of both the LDP sessions above MUST carry this TLV to indicate the identity of a primary PW. Specifically, in the centralized protector model, the Protection FEC Element TLV advertised by a backup (S-)PE MUST match the one advertised by the primary PE, so that the protector can associate the primary PW's label with the backup PW's label, and perform a label swap.

This document also defines the encoding of Capability Parameter TLV ([RFC 5561](#)) for a new "Egress Protection Capability", to allow a protector to announce its capability of processing the above Protection FEC Element TLV and performing context specific label switching for PW labels.

The procedures in this section are only applicable, if the protector advertises the Egress Protection Capability, the primary PE supports the advertisement of the Protection FEC Element TLV, and in the centralized protector model, the backup PE also supports the advertisement of the Protection FEC Element TLV.

5.1. Egress Protection Capability TLV

A protector MUST advertise the Egress Protection Capability TLV in its Initialization message and Capability message, over the LDP session with a primary PE. In the centralized protector model, the protector MUST also advertise the TLV over the LDP session with a backup PE. The TLV carries one or multiple context identifiers. To the primary PE, the TLV SHOULD carry the context identifier of the {primary PE, protector}. In the centralized protector model, the TLV SHOULD carry to the backup PE multiple context identifiers, one for each {primary PE, protector} where the backup PE serves as a backup for the primary PE. This TLV SHOULD NOT be advertised by the primary PE or the backup PE to the protector.

The processing of the Egress Protection Capability TLV by a receiving router SHOULD follow the procedures defined in [RFC 5561](#). In particular, the router SHOULD advertise PW information to the protector by using the Protection FEC Element TLV, only after it has received the Egress Protection Capability TLV from the protector. It SHOULD validate each context identifier included in the TLV, and advertise the information of only those PWs that are associated with the context identifier. It SHOULD withdraw previously advertised

Protection FEC TLVs, when the protector has withdrawn a previously advertised context identifier or the entire Egress Protection Capability TLV via Capability message.

The encoding of the Egress Protection Capability TLV is defined as below. It conforms to the format of Capability Parameter TLV specified in [RFC 5561](#).

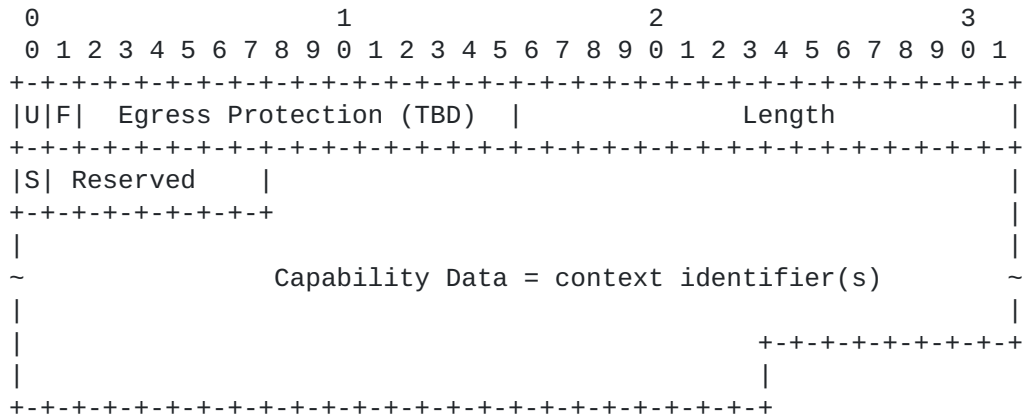


Figure 11

The U-bit MUST be set to 1 so that a receiver MUST silently ignore this TLV if unknown to it, and continue processing the rest of the message.

The F-bit MUST be set to 0 since this TLV is sent only in Initialization and Capability messages, which are not forwarded.

The TLV Code Point is TBD. It needs to be assigned by IANA.

The S-bit indicates whether the sender is advertising (S=1) or withdrawing (S=0) the capability.

The "Capability Data" is encoded with the context identifier of the {primary PE, protector}.

5.2. PW Label Distribution from Primary PE to Protector

A primary PE SHOULD advertise a primary PW's label to a protector by sending a Label Mapping message. The message includes a Protection FEC Element TLV (see [Section 5.4](#) for encoding), and an Upstream-Assigned Label TLV ([RFC 6389](#)) encoded with the PW's label. The combination of the Protection FEC Element TLV and the PW label represents the primary PE's forwarding state for the PW. The Label Mapping message SHOULD also carry an IPv4/v6 Interface_ID TLV (RFC

6389, [RFC 3471](#)) encoded with the context identifier of the {primary PE, protector}.

The protector that receives this Label Mapping message SHOULD install a forwarding entry for the PW label in the label space identified by the context identifier. The nexthop of the forwarding entry SHOULD ensure packets to be sent towards the target CE via a backup AC or a backup (S-)PE, depending on the protection scenario. The protector SHOULD silently discard a Label Mapping message if the included context identifier is unknown to it.

5.3. PW Label Distribution from Backup PE to Protector

In the centralized protector model, a backup PE SHOULD advertise a backup PW's label to a protector by sending a Label Mapping message. The message includes a Protection FEC Element TLV and a Generic Label TLV encoded with the backup PW's label. This Protection FEC Element MUST be identical to the Protection FEC Element TLV that the primary PE advertises to the protector ([Section 5.2](#)). The context identifier SHOULD NOT be encoded in Interface_ID TLV in this message.

The protector that receives this Label Mapping message SHOULD associate the backup PW with the primary PW, based on the common Protection FEC Element TLV. It SHOULD distinguish between the Label Mapping message from the primary PE and the Label Mapping message from the backup PE based on the respective presence and absence of context identifier in Interface_ID TLV. It SHOULD install a forwarding entry for the primary PW's label in the label space identified by the context identifier. The nexthop of the forwarding entry SHOULD indicate a label swap to the backup PW's label, followed by a label push or IP header push for a transport tunnel to the backup PE.

5.4. Protection FEC Element TLV

The Protection FEC Element TLV has type 0x83. Its format is defined as below:

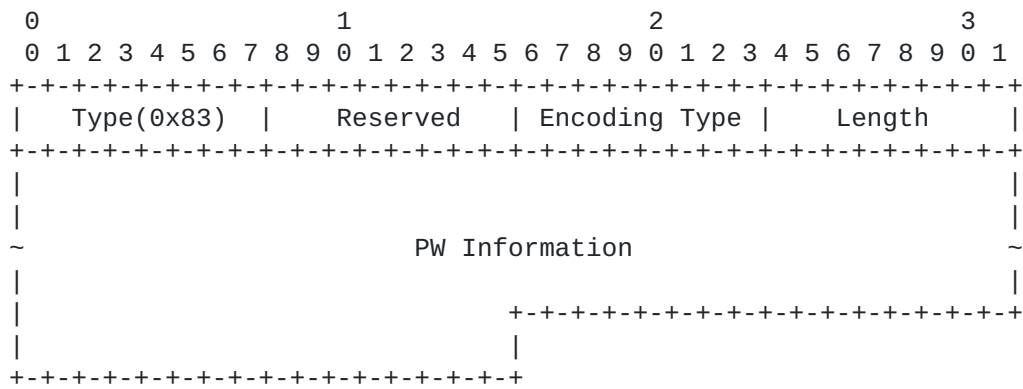


Figure 12

- Encoding Type

Type of format that PW Information field is encoded.

- Length

Length of PW Information field in octets.

- PW Information

Field of variable length that specifies a PW

For Encoding Type, 1 is defined for the Pwid FEC Element format, and 2 is defined for the Generalized Pwid FEC Element format ([RFC 4447](#)).

5.4.1. Encoding Format for Pwid

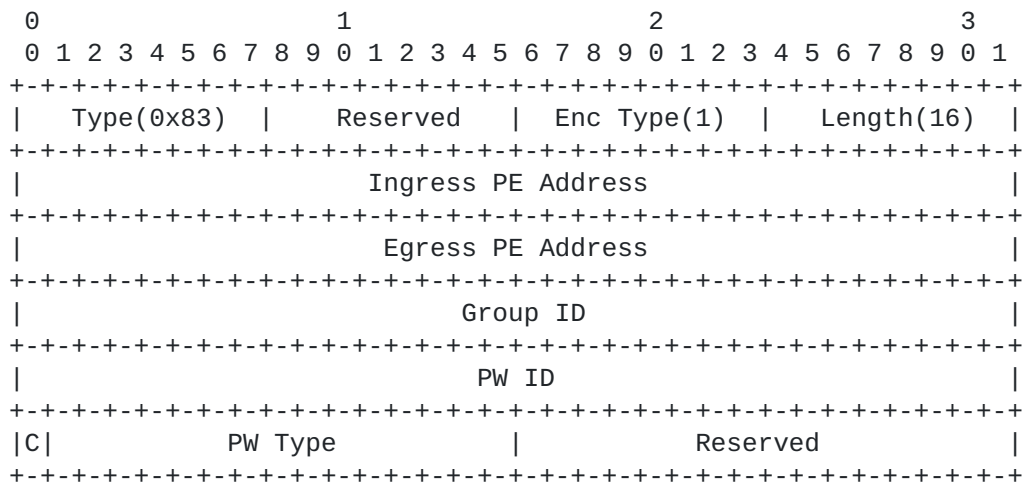


Figure 13

- Ingress PE Address

IP address of the ingress PE of PW.
- Egress PE Address

IP address of the egress PE of PW.
- Group ID

An arbitrary 32-bit value that represents a group of PWs and that is used to create groups in the PW space.
- PW ID

A non-zero 32-bit connection ID that, together with the PW Type field, identifies a particular PW.
- Control word bit (C)

A bit that flags the presence of a control word on this PW. If C = 1, control word is present; If C = 0, control word is not present.
- PW Type

A 15-bit quantity that represents the type of PW.

5.4.2. Encoding Format for Generalized PWid

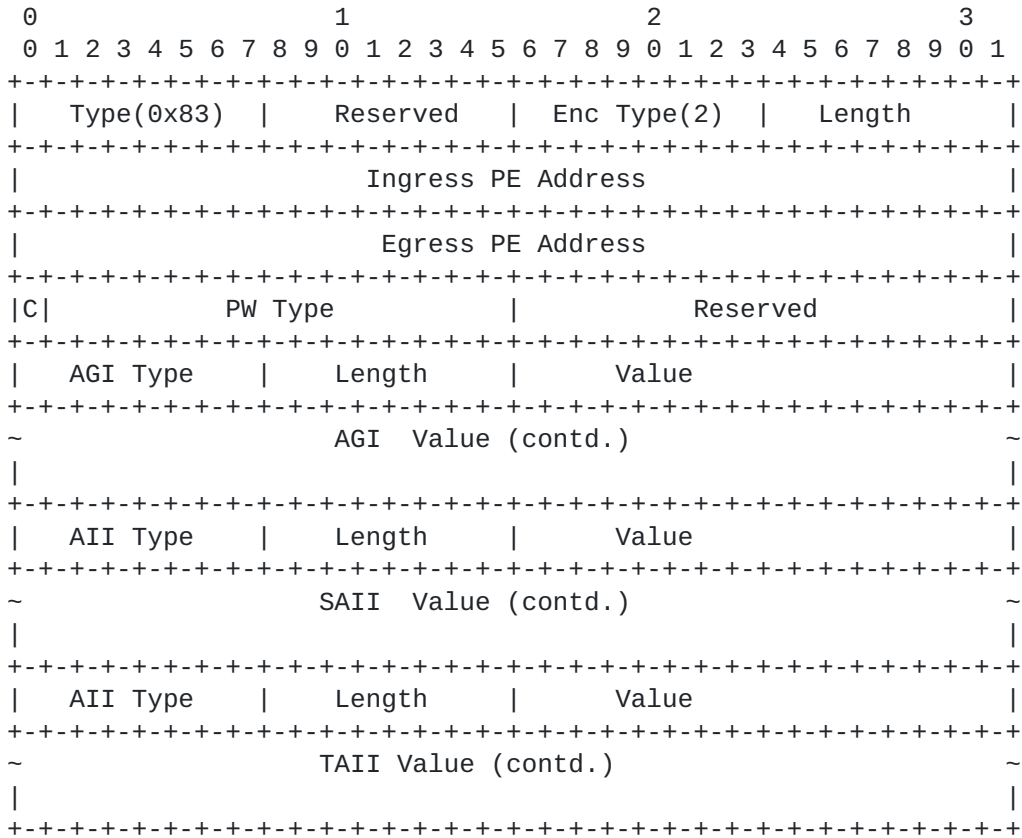


Figure 14

- Ingress PE Address
IP address of the ingress PE of PW.
- Egress PE Address
IP address of the egress PE of PW.
- Control word bit (C)
A bit that flags the presence of a control word on this PW. If C = 1, control word is present; If C = 0, control word is not present.
- PW Type
A 15-bit quantity that represents the type of PW.

- AGI Type, Length, Value, AGI Value
Attachment Group Identifier of PW.
- SAII Type, Length, Value, SAII Value
Source Attachment Individual Identifier of PW.
- TAII Type, Length, Value, TAII Value
Target Attachment Individual Identifier of PW.

6. Revertive Behavior

Subsequent to local repair, there are three strategies for the network to restore traffic to a fully functional PW.

o Global revertive mode

If the ingress CE is multi-homed (Figure 1), it MAY switch the traffic to a backup AC which is bound to a backup PW. Alternatively, if the ingress PE hosts a backup PW (Figure 2), the ingress PE MAY switch the traffic to the backup PW. These procedures are referred to as global repair. Possible triggers of a global repair include PW status, OAM, and BFD.

o Control plane revertive mode

In egress PE node protection and S-PE node protection, it is possible that the failure is limited to the link between the PLR and the primary (S-)PE, whereas the primary (S-)PE is still up. In this case, the PLR or an upstream router along the transport tunnel MAY reroute the tunnel around the failed link via an alternative path. Thus, the transport tunnel can continue to be used to carry the PW traffic to the primary (S-)PE. This procedure is driven by control plane convergence, and is referred to as control plane repair.

o Local revertive mode

The PLR MAY move traffic back to the primary PW, after the failure is resolved. In egress AC protection, upon detecting that the primary AC is restored, the PLR MAY start forwarding traffic over the AC again. Likewise, in egress PE node protection and S-PE node protection, upon detecting that the primary PE is restored, the PLR MAY re-establish the primary transport tunnel through the primary PE, and move the traffic from the bypass tunnel back to

the transport tunnel. These procedures are referred to as local reversion.

The fast protection mechanism in this document SHOULD be used in tandem with the global revertive mode. Particularly in the case of egress (S-)PE failure, if the ingress PE or the protector loses communication with the (S-)PE for an extensive period of time, the LDP session between them may go down. Consequently, the ingress PE may bring down the primary PW, or the protector may remove the forwarding entry of the primary PW label. In either case, the service will be disrupted. In other words, although the fast protection can temporarily repair traffic, control plane state may eventually be timed out if the failure persists. Therefore, it is recommended that the global revertive mode SHOULD be set up in advance, so that traffic can be moved to a fully functional backup PW shortly after the local repair.

The control plane revertive mode may always happen as part of the convergence of control plane protocols. However, it is only applicable to the specific scenarios described above.

The local revertive mode is optional. In the circumstances where the failure is caused by resource flapping, local reversion MAY be dampened to limit potential disruptions. Local revertive mode MAY be disabled completely by configuration.

7. IANA Considerations

This document defines the encoding of the Capability Parameter TLV for the new "Egress Protection Capability" in [Section 5](#). This would require IANA to assign a TLV Code Point to it.

This document defines a new LDP Protection FEC Element TLV in [Section 5](#). IANA has assigned the type value 0x83 to it.

8. Security Considerations

The security considerations discussed in [RFC 5036](#), [RFC 5331](#), [RFC 3209](#), and [RFC 4090](#) apply to this document.

9. Acknowledgements

This document leverages work done by Hannes Gredler, Yakov Rekhter, Minto Jeyanth and several others on MPLS edge protection. Thanks to Nischal Sheth, Bhupesh Kothari, and Kevin Wang for their contribution. Thanks to Yakov Rekhter and John E Drake for reviewing the document. Thanks to Andrew G Malis for valuable comments.

10. References

10.1. Normative References

- [RFC3985] Bryant, S. and P. Pate, "Pseudo Wire Emulation Edge-to-Edge (PWE3) Architecture", [RFC 3985](#), March 2005.
- [RFC5659] Bocci, M. and S. Bryant, "An Architecture for Multi-Segment Pseudowire Emulation Edge-to-Edge", [RFC 5659](#), October 2009.
- [RFC4447] Martini, L., Rosen, E., El-Aawar, N., Smith, T., and G. Heron, "Pseudowire Setup and Maintenance Using the Label Distribution Protocol (LDP)", [RFC 4447](#), April 2006.
- [RFC5331] Aggarwal, R., Rekhter, Y., and E. Rosen, "MPLS Upstream Label Assignment and Context-Specific Label Space", [RFC 5331](#), August 2008.
- [RFC5036] Andersson, L., Minei, I., and B. Thomas, "LDP Specification", [RFC 5036](#), October 2007.
- [RFC5561] Thomas, B., Raza, K., Aggarwal, S., Aggarwal, R., and JL. Le Roux, "LDP Capabilities", [RFC 5561](#), July 2009.
- [RFC2205] Braden, B., Zhang, L., Berson, S., Herzog, S., and S. Jamin, "Resource ReSerVation Protocol (RSVP) -- Version 1 Functional Specification", [RFC 2205](#), September 1997.
- [RFC3209] Awduche, D., Berger, L., Gan, D., Li, T., Srinivasan, V., and G. Swallow, "RSVP-TE: Extensions to RSVP for LSP Tunnels", [RFC 3209](#), December 2001.
- [RFC4090] Pan, P., Swallow, G., and A. Atlas, "Fast Reroute Extensions to RSVP-TE for LSP Tunnels", [RFC 4090](#), May 2005.
- [RFC5286] Atlas, A. and A. Zinin, "Basic Specification for IP Fast Reroute: Loop-Free Alternates", [RFC 5286](#), September 2008.
- [RFC5714] Shand, M. and S. Bryant, "IP Fast Reroute Framework", [RFC 5714](#), January 2010.
- [RFC3471] Berger, L., "Generalized Multi-Protocol Label Switching (GMPLS) Signaling Functional Description", [RFC 3471](#), January 2003.

- [RFC3472] Ashwood-Smith, P. and L. Berger, "Generalized Multi-Protocol Label Switching (GMPLS) Signaling Constraint-based Routed Label Distribution Protocol (CR-LDP) Extensions", [RFC 3472](#), January 2003.
- [RFC3031] Rosen, E., Viswanathan, A., and R. Callon, "Multiprotocol Label Switching Architecture", [RFC 3031](#), January 2001.
- [RFC2328] Moy, J., "OSPF Version 2", STD 54, [RFC 2328](#), April 1998.
- [RFC5880] Katz, D. and D. Ward, "Bidirectional Forwarding Detection (BFD)", [RFC 5880](#), June 2010.
- [RFC6389] Aggarwal, R. and JL. Le Roux, "MPLS Upstream Label Assignment for LDP", [RFC 6389](#), November 2011.
- [IP-LDP-FRR-MRT]
Atlas, A. and R. Kebler, "An Architecture for IP/LDP Fast-Reroute Using Maximally Redundant Trees", [draft-ietf-rtgwg-mrt-frr-architecture](#) (work in progress), 2011.

10.2. Informative References

- [RFC5920] Fang, L., "Security Framework for MPLS and GMPLS Networks", [RFC 5920](#), July 2010.

Authors' Addresses

Yimin Shen
Juniper Networks
10 Technology Park Drive
Westford, MA 01886
USA

Phone: +1 9785890722
Email: yshen@juniper.net

Rahul Aggarwal
Arktan, Inc

Email: ragnarwa_1@yahoo.com

Wim Henderickx
Alcatel-Lucent
Copernicuslaan 50
2018 Antwerp
Belgium

Email: wim.henderickx@alcatel-lucent.be

Yuanlong Jiang
Huawei Technologies

Email: jiangyuanlong@huawei.com