

Workgroup: Network Working Group

Internet-Draft:

draft-ietf-teas-ietf-network-slices-19

Published: 21 January 2023

Intended Status: Informational

Expires: 25 July 2023

Authors: A. Farrel, Ed. J. Drake, Ed. R. Rokui
 Old Dog Consulting Juniper Networks Ciena
 S. Homma K. Makhijani L.M. Contreras J. Tantsura
 NTT Futurewei Telefonica Microsoft

A Framework for IETF Network Slices

Abstract

This document describes network slicing in the context of networks built from IETF technologies. It defines the term "IETF Network Slice" and establishes the general principles of network slicing in the IETF context.

The document discusses the general framework for requesting and operating IETF Network Slices, the characteristics of an IETF Network Slice, the necessary system components and interfaces, and how abstract requests can be mapped to more specific technologies. The document also discusses related considerations with monitoring and security.

This document also provides definitions of related terms to enable consistent usage in other IETF documents that describe or use aspects of IETF Network Slices.

Status of This Memo

This Internet-Draft is submitted in full conformance with the provisions of BCP 78 and BCP 79.

Internet-Drafts are working documents of the Internet Engineering Task Force (IETF). Note that other groups may also distribute working documents as Internet-Drafts. The list of current Internet-Drafts is at <https://datatracker.ietf.org/drafts/current/>.

Internet-Drafts are draft documents valid for a maximum of six months and may be updated, replaced, or obsoleted by other documents at any time. It is inappropriate to use Internet-Drafts as reference material or to cite them other than as "work in progress."

This Internet-Draft will expire on 25 July 2023.

Copyright Notice

Copyright (c) 2023 IETF Trust and the persons identified as the document authors. All rights reserved.

This document is subject to BCP 78 and the IETF Trust's Legal Provisions Relating to IETF Documents (<https://trustee.ietf.org/license-info>) in effect on the date of publication of this document. Please review these documents carefully, as they describe your rights and restrictions with respect to this document. Code Components extracted from this document must include Revised BSD License text as described in Section 4.e of the Trust Legal Provisions and are provided without warranty as described in the Revised BSD License.

Table of Contents

- [1. Introduction](#)
- [2. Background](#)
- [3. Terms and Abbreviations](#)
 - [3.1. Abbreviations](#)
 - [3.2. Core Terminology](#)
- [4. IETF Network Slice](#)
 - [4.1. Definition and Scope of IETF Network Slice](#)
 - [4.2. IETF Network Slice Service](#)
 - [4.2.1. Connectivity Constructs](#)
 - [4.2.2. Mapping Traffic Flows to Network Realizations](#)
 - [4.2.3. Ancillary CEs](#)
- [5. IETF Network Slice System Characteristics](#)
 - [5.1. Objectives for IETF Network Slices](#)
 - [5.1.1. Service Level Objectives](#)
 - [5.1.2. Service Level Expectations](#)
 - [5.2. IETF Network Slice Service Demarcation Points](#)
 - [5.3. IETF Network Slice Composition](#)
- [6. Framework](#)
 - [6.1. IETF Network Slice Stakeholders](#)
 - [6.2. Expressing Connectivity Intents](#)
 - [6.3. IETF Network Slice Controller \(NSC\)](#)
 - [6.3.1. IETF Network Slice Controller Interfaces](#)
 - [6.3.2. Management Architecture](#)
- [7. Realizing IETF Network Slices](#)
 - [7.1. An Architecture to Realize IETF Network Slices](#)
 - [7.2. Procedures to Realize IETF Network Slices](#)
 - [7.3. Applicability of ACTN to IETF Network Slices](#)
 - [7.4. Applicability of Enhanced VPNs to IETF Network Slices](#)
 - [7.5. Network Slicing and Aggregation in IP/MPLS Networks](#)
 - [7.6. Network Slicing and Service Function Chaining \(SFC\)](#)
- [8. Isolation in IETF Network Slices](#)
 - [8.1. Isolation as a Service Requirement](#)

- [8.2. Isolation in IETF Network Slice Realization](#)
- [9. Management Considerations](#)
- [10. Security Considerations](#)
- [11. Privacy Considerations](#)
- [12. IANA Considerations](#)
- [Acknowledgments](#)
- [Contributors](#)
- [Informative References](#)
- [Appendix A. Examples](#)
 - [A.1. Multi-Point to Point Service](#)
 - [A.2. Service Function Chaining and Ancillary CEs](#)
 - [A.3. Hub and Spoke](#)
 - [A.4. Layer 3 VPN](#)
 - [A.5. Hierarchical Composition of Network Slices](#)
 - [A.6. Horizontal Composition of Network Slices](#)
- [Authors' Addresses](#)

1. Introduction

A number of use cases would benefit from a network service that supplements connectivity, such as that offered by a VPN service, with an assurance of meeting a set of specific network performance objectives. This connectivity and resource commitment is referred to as a network slice and is expressed in terms of connectivity constructs (see [Section 4](#)) and service objectives (see [Section 5](#)). Since the term network slice is rather generic, the qualifying term "IETF" is used in this document to limit the scope of network slice to network technologies described and standardized by the IETF. This document defines the concept of IETF Network Slices that provide connectivity coupled with a set of specific commitments of network resources between a number of endpoints (known as Service Demarcation Points (SDPs) - see [Section 3.2](#) and [Section 5.2](#)) over a shared underlay network. The term IETF Network Slice service is also introduced to describe the service requested by and provided to the service provider's customer.

Services that might benefit from IETF Network Slices include, but are not limited to:

- *5G services (e.g. eMBB, URLLC, mMTC - see [[TS23501](#)])
- *Network wholesale services
- *Network infrastructure sharing among operators
- *NFV connectivity and Data Center Interconnect

Further analysis of the needs of IETF Network Slice service customers is provided in [[I-D.ietf-teas-ietf-network-slice-use-cases](#)].

IETF Network Slices are created and managed within the scope of one or more network technologies (e.g., IP, MPLS, optical). They are intended to enable a diverse set of applications with different requirements to coexist over a shared underlay network. A request for an IETF Network Slice service is agnostic to the technology in the underlay network so as to allow a customer to describe their network connectivity objectives in a common format, independent of the underlay technologies used.

This document also provides a framework for discussing IETF Network Slices. The framework is intended as a structure for discussing interfaces and technologies.

For example, virtual private networks (VPNs) have served the industry well as a means of providing different groups of users with logically isolated access to a common network. The common or base network that is used to support the VPNs is often referred to as an underlay network, and the VPN is often called an overlay network. An overlay network may, in turn, serve as an underlay network to support another overlay network.

Note that it is conceivable that extensions to IETF technologies are needed in order to fully support all the capabilities that can be implemented with network slices. Evaluation of existing technologies, proposed extensions to existing protocols and interfaces, and the creation of new protocols or interfaces are outside the scope of this document.

2. Background

The concept of network slicing has gained traction driven largely by needs surfacing from 5G ([[NGMN-NS-Concept](#)], [[TS23501](#)], and [[TS28530](#)]). In [[TS23501](#)], a Network Slice is defined as "a logical network that provides specific network capabilities and network characteristics", and a Network Slice Instance is defined as "A set of Network Function instances and the required resources (e.g. compute, storage and networking resources) which form a deployed Network Slice." According to [[TS28530](#)], an end-to-end network slice consists of three major types of network segments: Radio Access Network (RAN), Transport Network (TN) and Core Network (CN). An IETF Network Slice provides the required connectivity between different entities in RAN and CN segments of an end-to-end network slice, with a specific performance commitment (for example, serving as a TN slice). For each end-to-end network slice, the topology and performance requirement on a customer's use of an IETF Network Slice can be very different, which requires the underlay network to have the capability of supporting multiple different IETF Network Slices.

While network slices are commonly discussed in the context of 5G, it is important to note that IETF Network Slices are a narrower concept with a broader usage profile, and focus primarily on particular network connectivity aspects. Other systems, including 5G deployments, may use IETF Network Slices as a component to create entire systems and concatenated constructs that match their needs, including end-to-end connectivity.

An IETF Network Slice could span multiple technologies and multiple administrative domains. Depending on the IETF Network Slice service customer's requirements, an IETF Network Slice could be isolated from other, often concurrent IETF Network Slices in terms of data, control and management planes.

The customer expresses requirements for a particular IETF Network Slice service by specifying what is required rather than how the requirement is to be fulfilled. That is, the IETF Network Slice service customer's view of an IETF Network Slice service is an abstract one.

Thus, there is a need to create logical network structures with required characteristics. The customer of such a logical network can require a level of isolation and performance that previously might not have been satisfied by overlay VPNs. Additionally, the IETF Network Slice service customer might ask for some level of control of, e.g., to customize the service paths in a network slice.

This document specifies definitions and a framework for the provision of an IETF Network Slice service. [Section 7](#) briefly indicates some candidate technologies for realizing IETF Network Slices.

3. Terms and Abbreviations

3.1. Abbreviations

The following abbreviations are used in this document.

*NSC: Network Slice Controller

*SDP: Service Demarcation Point

*SLA: Service Level Agreement

*SLE: Service Level Expectation

*SLI: Service Level Indicator

*SLO: Service Level Objective

The meaning of these abbreviations is defined in greater details in the remainder of this document.

3.2. Core Terminology

The following terms are presented here to give context. Other terminology is defined in the remainder of this document.

Customer: A customer is the requester of an IETF Network Slice service. Customers may request monitoring of SLOs. A customer may be an entity such as an enterprise network or a network operator, an individual working at such an entity, a private individual contracting for a service, or an application or software component. A customer may be an external party (classically a paying customer) or a division of a network operator that uses the service provided by another division of the same operator. Other terms that have been applied to the customer role are "client" and "consumer".

Provider: A provider is the organization that delivers an IETF Network Slice service. A provider is the network operator that controls the network resources used to construct the network slice (that is, the network that is sliced). The provider's network maybe a physical network, or may be a virtual network created within the operator's network or supplied by another service provider.

Customer Edge (CE): The customer device that provides connectivity to a service provider. Examples include routers, Ethernet switches, firewalls, 4G/5G RAN or Core nodes, application accelerators, server load balancers, HTTP header enrichment functions, and PEPs (Performance Enhancing Proxy). In some circumstances CEs are provided to the customer and managed by the provider.

Provider Edge (PE): The device within the provider network to which a CE is attached. A CE may be attached to multiple PEs, and multiple CEs may be attached to a given PE.

Attachment Circuit (AC): A channel connecting a CE and a PE over which packets that belong to an IETF Network Slice service are exchanged. An AC is, by definition, technology specific: that is, the AC defines how customer traffic is presented to the provider network. The customer and provider agree (through configuration) on which values in which combination of layer 2 and layer 3 header and payload fields within a packet identify to which {IETF Network Slice service, connectivity construct, and SLOs/SLEs} that packet is assigned. The customer and provider may agree on a per {IETF Network Slice service, connectivity construct, and

SLOs/SLEs} basis to police or shape traffic on the AC in both the ingress (CE to PE) direction and egress (PE to CE) direction. This ensures that the traffic is within the capacity profile that is agreed in an IETF Network Slice service. Excess traffic is dropped by default, unless specific out-of-profile policies are agreed between the customer and the provider. As described in [Section 5.2](#) the AC may be part of the IETF Network Slice service or may be external to it. Because SLOs and SLEs characterise the performance of the underlay network between a sending SDP and a set of receiving SDPs, the traffic policers and traffic shapers apply to a specific connectivity construct on an AC.

Service Demarcation Point (SDP): The point at which an IETF Network Slice service is delivered by a service provider to a customer. Depending on the service delivery model (see [Section 5.2](#)) this may be a CE or a PE, and could be a device, a software component, or an abstract virtual function supported within the provider's network. Each SDP must have a unique identifier (e.g., an IP address or MAC address) within a given IETF Network Slice service and may use the same identifier in multiple IETF Network Slice services.

An SDP may be abstracted as a Service Attachment Point (SAP) [[I-D.ietf-opsawg-sap](#)] for the purpose of generalizing the concept across multiple service types and representing it in management and configuration systems.

Connectivity Construct: A set of SDPs together with a communication type that defines how traffic flows between the SDPs. An IETF Network Slice service is specified in terms of a set of SDPs, the associated connectivity constructs and the service objectives that the customer wishes to see fulfilled. Connectivity constructs may be grouped for administrative purposes.

4. IETF Network Slice

IETF Network Slices are created to meet specific requirements, typically expressed as bandwidth, latency, latency variation, and other desired or required characteristics. Creation of an IETF Network Slice is initiated by a management system or other application used to specify network-related conditions for particular traffic flows in response to an actual or logical IETF Network Slice service request.

Once created, these slices can be monitored, modified, deleted, and otherwise managed.

Applications and components will be able to use these IETF Network Slices to move packets between the specified endpoints of the service in accordance with specified characteristics.

A clear distinction should be made between the "IETF Network Slice service" which is the function delivered to the customer (see [Section 4.2](#)) and which is agnostic to the technologies and mechanisms used by the service provider, and the "IETF Network Slice" which is the realization of the service in the provider's network achieved by partitioning network resources and by applying certain tools and techniques within the network (see [Section 4.1](#) and [Section 7](#)).

4.1. Definition and Scope of IETF Network Slice

The term "Slice" refers to a set of characteristics and behaviors that differentiate one type of user-traffic from another within a network. An IETF Network Slice is a logical partition of a network that uses IETF technology. An IETF Network Slice assumes that an underlay network is capable of changing the configurations of the network devices on demand, through in-band signaling, or via controllers.

An IETF Network Slice enables connectivity between a set of SDPs with specific Service Level Objectives (SLOs) and Service Level Expectations (SLEs) (see [Section 5](#)) over a common underlay network. The SLOs and SLEs characterize the performance of the underlay network between a sending SDP and a set of receiving SDPs. Thus, an IETF Network Slice delivers a service to a customer by meeting connectivity resource requirements and associated network capabilities such as bandwidth, latency, jitter, and network functions with other resource behaviors such as compute and storage availability.

IETF Network Slices may be combined hierarchically, so that a network slice may itself be sliced. They may also be combined sequentially so that various different networks can each be sliced and the network slices placed into a sequence to provide an end-to-end service. This form of sequential combination is utilized in some services such as in 3GPP's 5G network [[TS23501](#)].

4.2. IETF Network Slice Service

A service provider delivers an IETF Network Slice service for a customer by realizing an IETF Network Slice in the underlay network. The IETF Network Slice service is agnostic to the technology of the underlay network, and its realization may be selected based upon multiple considerations including its service requirements and the capabilities of the underlay network. This allows an IETF Network

Slice service customer to describe their network connectivity and relevant objectives in a common format, independent of the underlay technologies used.

The IETF Network Slice service is specified in terms of a set of SDPs, a set of one or more connectivity constructs between subsets of these SDPs, and a set of SLOs and SLEs (see [Section 5](#)) for each SDP sending to each connectivity construct. A communication type (point-to-point (P2P), point-to-multipoint (P2MP), or any-to-any (A2A)) is specified for each connectivity construct. That is, in a given IETF Network Slice service there may be one or more connectivity constructs of the same or different type, each connectivity construct may be between a different subset of SDPs, for a given connectivity construct each sending SDP has its own set of SLOs and SLEs, and the SLOs and SLEs in each set may be different. Note that different connectivity constructs can be specified in the service request, but the service provider may decide how many connectivity constructs per IETF Network Slice service it wishes to support such that an IETF Network Slice service may be limited to one connectivity construct or may support many.

An IETF Network Slice service customer may provide IETF Network Slice services to other customers in a mode sometimes referred to as "carrier's carrier" (see Section 9 of [RFC4364](#)). In this case, the relationship between IETF Network Slice service providers may be internal to a commercial organization, or may be external through service provision contracts. As noted in [Section 5.3](#), network slices may be composed hierarchically or serially.

[Section 5.2](#) provides a description of SDPs as endpoints in the context of IETF network slicing. For a given IETF Network Slice service, the customer and provider agree, on a per-SDP basis which end of the attachment circuit provides the SDP (i.e., whether the attachment circuit is inside or outside the IETF Network Slice service). This determines whether the attachment circuit is subject to the set of SLOs and SLEs at the specific SDP.

4.2.1. Connectivity Constructs

The approach of specifying a Network Slice service as a set of SDPs with connectivity constructs, results in the following possible connectivity constructs:

*For a P2P connectivity construct, there is one sending SDP and one receiving SDP. This construct is like a private wire or a tunnel. All traffic injected at the sending SDP is intended to be received by the receiving SDP. The SLOs and SLEs apply at the sender (and implicitly at the receiver).

*For a P2MP connectivity construct, there is only one sending SDP and more than one receiving SDP. This is like a P2MP tunnel or multi-access VLAN segment. All traffic from the sending SDP is intended to be received by all the receiving SDPs. There is one set of SLOs and SLEs that applies at the sending SDP (and implicitly at all receiving SDPs).

*With an A2A connectivity construct, any sending SDP may send to any one receiving SDP or any set of receiving SDPs in the construct. There is an implicit level of routing in this connectivity construct that is not present in the other connectivity constructs because the provider's network must determine to which receiving SDPs to deliver each packet. This construct may be used to support P2P traffic between any pair of SDPs, or to support multicast or broadcast traffic from one SDP to a set of other SDPs. In the latter case, whether the service is delivered using multicast within the provider's network or using "ingress replication" or some other means is out of scope of the specification of the service. A service provider may choose to support A2A constructs, but to limit the traffic to unicast.

The SLOs/SLEs in an A2A connectivity construct apply to individual sending SDPs regardless of the receiving SDPs, and there is no linkage between sender and receiver in the specification of the connectivity construct. A sending SDP may be "disappointed" if the receiver is over-subscribed. If a customer wants to be more specific about different behaviors from one SDP to another SDP, they should use P2P connectivity constructs.

A given sending SDP may be part of multiple connectivity constructs within a single IETF Network Slice service, and the SDP may have different SLOs and SLEs for each connectivity construct to which it is sending. Note that a given sending SDP's SLOs and SLEs for a given connectivity construct apply between it and each of the receiving SDPs for that connectivity construct.

An IETF Network Slice service provider may freely make a deployment choice as to whether to offer a 1:1 relationship between IETF Network Slice service and connectivity construct, or to support multiple connectivity constructs in a single IETF Network Slice service. In the former case, the provider might need to deliver multiple IETF Network Slice services to achieve the function of the second case.

4.2.2. Mapping Traffic Flows to Network Realizations

A customer traffic flow may be unicast or multicast, and various network realizations are possible:

*Unicast traffic may be mapped to a P2P connectivity construct for direct delivery, or to an A2A connectivity construct for the service provider to perform routing to the destination SDP. It would be unusual to use a P2MP connectivity construct to deliver unicast traffic because all receiving SDPs would get a copy, but this can still be done if the receivers are capable of dropping the unwanted traffic.

*A bidirectional unicast service can be constructed by specifying two P2P connectivity constructs. An additional SLE may specify fate-sharing in this case.

*Multicast traffic may be mapped to a set of P2P connectivity constructs, a single P2MP connectivity construct, or a mixture of P2P and P2MP connectivity constructs. Multicast may also be supported by an A2A connectivity construct. The choice clearly influences how and where traffic is replicated in the network. With a P2MP or A2A connectivity construct, it is the operator's choice whether to realize the construct with ingress replication, multicast in the core, P2MP tunnels, or hub-and-spoke. This choice should not change how the customer perceives the service.

*The concept of a multipoint-to-point (MP2P) service can be realized with multiple P2P connectivity constructs. Note that, in this case, the egress may simultaneously receive traffic from all ingresses. The SLOs at the sending SDPs must be set with this in mind because the provider's network is not capable of coordinating the policing of traffic across multiple distinct source SDPs. It is assumed that the customer, requesting SLOs for the various P2P connectivity constructs, is aware of the capabilities of the receiving SDP. If the receiver receives more traffic than it can handle, it may drop some and introduce queuing delays.

*The concept of a multipoint-to-multipoint (MP2MP) service can best be realized using a set of P2MP connectivity constructs, but could be delivered over an A2A connectivity construct if each sender is using multicast. As with MP2P, the customer is assumed to be familiar with the capabilities of all receivers. A customer may wish to achieve an MP2MP service using a hub-and-spoke architecture where they control the hub: that is, the hub may be an SDP or an ancillary CE (see [Section 4.2.3](#)) and the service may be achieved by using a set of P2P connectivity constructs to the hub, and a single P2MP connectivity construct from the hub.

From the above, it can be seen that the SLOs of the senders define the SLOs for the receivers on any connectivity construct. That is, and in particular, the network may be expected to handle the traffic volume from a sender to all destinations. This extends to all connectivity constructs in an IETF Network Slice service.

Note that the realization of an IETF Network Slice service does not need to map the connectivity constructs one-to-one onto underlying network constructs (such as tunnels). The service provided to the customer is distinct from how the provider decides to deliver that service.

If a CE has multiple attachment circuits to PEs within a given IETF Network Slice service and they are operating in single-active mode, then all traffic between the CE and its attached PEs transits a single attachment circuit; if they are operating in all-active mode, then traffic between the CE and its attached PEs is distributed across all of the active attachment circuits.

4.2.3. Ancillary CEs

It may be the case that the set of SDPs that delimits an IETF Network Slice Service needs to be supplemented with additional senders or receivers. An additional sender could be, for example, an IPTV or DNS server either within the provider's network or attached to it, while an extra receiver could be, for example, a node reachable via the Internet. This is modelled as a set of ancillary CEs which supplement the other SDPs in one or more connectivity constructs, or which have their own connectivity constructs. Note that an ancillary CE can either have a resolvable address, e.g., an IP address or MAC address, or it may be a placeholder, e.g., IPTV or DNS server, which is resolved within the provider's network when the IETF Network Slice service is instantiated.

Thus, an ancillary CE may be a node within the provider network (i.e., not a CE). An example is a node that provides a service function. Another example is a node that acts as a hub. There will be times when the customer wishes to explicitly select one of these. Alternatively, an ancillary CE may be a service function at an unknown point in the provider's network. In this case, the function may be a placeholder that has its addresses resolved as part of the realization of the slice service.

5. IETF Network Slice System Characteristics

The following subsections describe the characteristics of IETF Network Slices in addition to the list of SDPs, the connectivity constructs, and the technology of the ACs.

5.1. Objectives for IETF Network Slices

An IETF Network Slice service is defined in terms of quantifiable characteristics known as Service Level Objectives (SLOs) and unquantifiable characteristics known as Service Level Expectations (SLEs). SLOs are expressed in terms Service Level Indicators (SLIs), and together with the SLEs form the contractual agreement between service customer and service provider known as a Service Level Agreement (SLA).

The terms are defined as follows:

*A Service Level Indicator (SLI) is a quantifiable measure of an aspect of the performance of a network. For example, it may be a measure of throughput in bits per second, or it may be a measure of latency in milliseconds.

*A Service Level Objective (SLO) is a target value or range for the measurements returned by observation of an SLI. For example, an SLO may be expressed as "SLI \leq target", or "lower bound \leq SLI \leq upper bound". A customer can determine whether the provider is meeting the SLOs by performing measurements on the traffic.

*A Service Level Expectation (SLE) is an expression of an unmeasurable service-related request that a customer of an IETF Network Slice service makes of the provider. An SLE is distinct from an SLO because the customer may have little or no way of determining whether the SLE is being met, but they still contract with the provider for a service that meets the expectation.

*A Service Level Agreement (SLA) is an explicit or implicit contract between the customer of an IETF Network Slice service and the provider of the slice. The SLA is expressed in terms of a set of SLOs and SLEs that are to be applied for a given connectivity construct between a sending SDP and the set of receiving SDPs, and may describe the extent to which divergence from individual SLOs and SLEs can be tolerated, and commercial terms as well as any consequences for violating these SLOs and SLEs.

5.1.1. Service Level Objectives

SLOs define a set of measurable network attributes and characteristics that describe an IETF Network Slice service. SLOs do not describe how an IETF Network Slice service is implemented or realized in the underlying network layers. Instead, they are defined in terms of dimensions of operation (time, capacity, etc.), availability, and other attributes.

An IETF Network Slice service may include multiple connectivity constructs that associate sets of endpoints (SDPs). SLOs apply to a given connectivity construct and apply to a specific direction of traffic flow. That is, they apply to a specific sending SDP and the set of receiving SDPs.

5.1.1.1. Some Common SLOs

SLOs can be described as 'Directly Measurable Objectives': they are always measurable. See [Section 5.1.2](#) for the description of Service Level Expectations which are unmeasurable service-related requests sometimes known as 'Indirectly Measurable Objectives'.

Objectives such as guaranteed minimum bandwidth, guaranteed maximum latency, maximum permissible delay variation, maximum permissible packet loss rate, and availability are 'Directly Measurable Objectives'. Future specifications (such as IETF Network Slice service YANG models) may precisely define these SLOs, and other SLOs may be introduced as described in [Section 5.1.1.2](#).

The definition of these objectives are as follows:

Guaranteed Minimum Bandwidth: Minimum guaranteed bandwidth between two endpoints at any time. The bandwidth is measured in data rate units of bits per second and is measured unidirectionally.

Guaranteed Maximum Latency: Upper bound of network latency when transmitting between two endpoints. The latency is measured in terms of network characteristics (excluding application-level latency). [[RFC7679](#)] discusses one-way metrics.

Maximum Permissible Delay Variation: Packet delay variation (PDV) as defined by [[RFC3393](#)], is the difference in the one-way delay between sequential packets in a flow. This SLO sets a maximum value PDV for packets between two endpoints.

Maximum Permissible Packet Loss Rate: The ratio of packets dropped to packets transmitted between two endpoints over a period of time. See [[RFC7680](#)].

Availability: The ratio of uptime to the sum of uptime and downtime, where uptime is the time the connectivity construct is available in accordance with all of the SLOs associated with it. Availability will often be expressed along with the time period over which the availability is measured, and specifying the maximum allowed single period of downtime.

5.1.1.2. Other Service Level Objectives

Additional SLOs may be defined to provide additional description of the IETF Network Slice service that a customer requests. These would be specified in further documents.

If the IETF Network Slice service is traffic aware, other traffic specific characteristics may be valuable including MTU, traffic-type (e.g., IPv4, IPv6, Ethernet or unstructured), or a higher-level behavior to process traffic according to user-application (which may be realized using network functions).

5.1.2. Service Level Expectations

SLEs define a set of network attributes and characteristics that describe an IETF Network Slice service, but which are not directly measurable by the customer (e.g. diversity, isolation, and geographical restrictions). Even though the delivery of an SLE cannot usually be determined by the customer, the SLEs form an important part of the contract between customer and provider.

Quite often, an SLE will imply some details of how an IETF Network Slice service is realized by the provider, although most aspects of the implementation in the underlying network layers remain a free choice for the provider. For example, activating unicast or multicast capabilities to deliver an IETF Network Slice service could be explicitly requested by a customer or could be left as an engineering decision for the service provider based on capabilities of the network and operational choices.

SLEs may be seen as aspirational on the part of the customer, and they are expressed as behaviors that the provider is expected to apply to the network resources used to deliver the IETF Network Slice service. Of course, over time, it is possible that mechanisms will be developed that enable a customer to verify the provision of an SLE, at which point it effectively becomes an SLO.

An IETF Network Slice service may include multiple connectivity constructs that associate sets of endpoints (SDPs). SLEs apply to a given connectivity construct and apply to specific directions of traffic flow. That is, they apply to a specific sending SDP and the set of receiving SDPs. However, being more general in nature than SLOs, SLEs may commonly be applied to all connectivity constructs in an IETF Network Slice service.

5.1.2.1. Some Common SLEs

SLEs can be described as 'Indirectly Measurable Objectives': they are not generally directly measurable by the customer.

Security, geographic restrictions, maximum occupancy level, and isolation are example SLEs as follows.

Security: A customer may request that the provider applies encryption or other security techniques to traffic flowing between SDPs of a connectivity construct within an IETF Network Slice service. For example, the customer could request that only network links that have MACsec [[MACsec](#)] enabled are used to realize the connectivity construct.

This SLE may include a request for encryption (e.g., [[RFC4303](#)]) between the two SDPs explicitly to meet the architectural recommendations in [[TS33.210](#)] or for compliance with [[HIPAA](#)] or [[PCI](#)].

Whether or not the provider has met this SLE is generally not directly observable by the customer and cannot be measured as a quantifiable metric.

Please see further discussion on security in [Section 10](#).

Geographic Restrictions: A customer may request that certain geographic limits are applied to how the provider routes traffic for the IETF Network Slice service. For example, the customer may have a preference that its traffic does not pass through a particular country for political or security reasons.

Whether or not the provider has met this SLE is generally not directly observable by the customer and cannot be measured as a quantifiable metric.

Maximal Occupancy Level: The maximal occupancy level specifies the number of flows to be admitted and optionally a maximum number of countable resource units (e.g., IP or MAC addresses) an IETF Network Slice service can consume. Because an IETF Network Slice service may include multiple connectivity constructs, this SLE should state whether it applies to all connectivity constructs, a specified subset of them, or an individual connectivity construct.

Again, a customer may not be able to fully determine whether this SLE is being met by the provider.

Isolation: As described in [Section 8](#), a customer may request that its traffic within its IETF Network Slice service is isolated from the effects of other network services supported by the same provider. That is, if another service exceeds capacity or has a burst of traffic, the customer's IETF Network Slice service should remain unaffected and there should be no noticeable change to the quality of traffic delivered.

In general, a customer cannot tell whether a service provider is meeting this SLE. They cannot tell whether the variation of an SLI is because of changes in the underlay network or because of interference from other services carried by the network. If the service varies within the allowed bounds of the SLOs, there may be no noticeable indication that this SLE has been violated.

Diversity: A customer may request that different connectivity constructs use different underlay network resources. This might be done to enhance the availability of the connectivity constructs within an IETF Network Slice service.

While availability is a measurable objective (see [Section 5.1.1.1](#)) this SLE requests a finer grade of control and is not directly measurable (although the customer might become suspicious if two connectivity constructs fail at the same time).

5.2. IETF Network Slice Service Demarcation Points

As noted in [Section 4.1](#), an IETF Network Slice provides connectivity between sets of SDPs with specific SLOs and SLEs. [Section 4.2](#) goes on to describe how the IETF Network Slice service is composed of a set of one or more connectivity constructs that describe connectivity between the Service Demarcation Points (SDPs) across the underlay network.

The characteristics of IETF Network Slice SDPs are as follows.

- *An SDP is the point of attachment to an IETF Network Slice service. As such, SDPs serve as the IETF Network Slice ingress/egress points.
- *An SDP is identified by a unique identifier in the context of an IETF Network Slice service customer.
- *The provider associates each SDP with a set of provider-scope identifiers such as IP addresses, encapsulation-specific identifiers (e.g., VLAN tag, MPLS Label), interface/port numbers, node ID, etc.
- *SDPs are mapped to endpoints of services/tunnels/paths within the IETF Network Slice during its initialization and realization.
 - A combination of the SDP identifier and SDP provider-network-scope identifiers define an SDP in the context of the Network Slice Controller (NSC) (see [Section 6.3](#)).
 - The NSC will use the SDP provider-network-scope identifiers as part of the process of realizing the IETF Network Slice.

Note that an ancillary CE (see [Section 4.2.3](#)) is the endpoint of a connectivity construct and so is an SDP in this discussion.

For a given IETF Network Slice service, the customer and provider agree where the SDP is located. This determines what resources at the edge of the network form part of the IETF Network Slice and are subject to the set of SLOs and SLEs for a specific SDP.

[Figure 1](#) shows different potential scopes of an IETF Network Slice that are consistent with the different SDP locations. For the purpose of this discussion and without loss of generality, the figure shows customer edge (CE) and provider edge (PE) nodes connected by attachment circuits (ACs). Notes after the figure give some explanations.

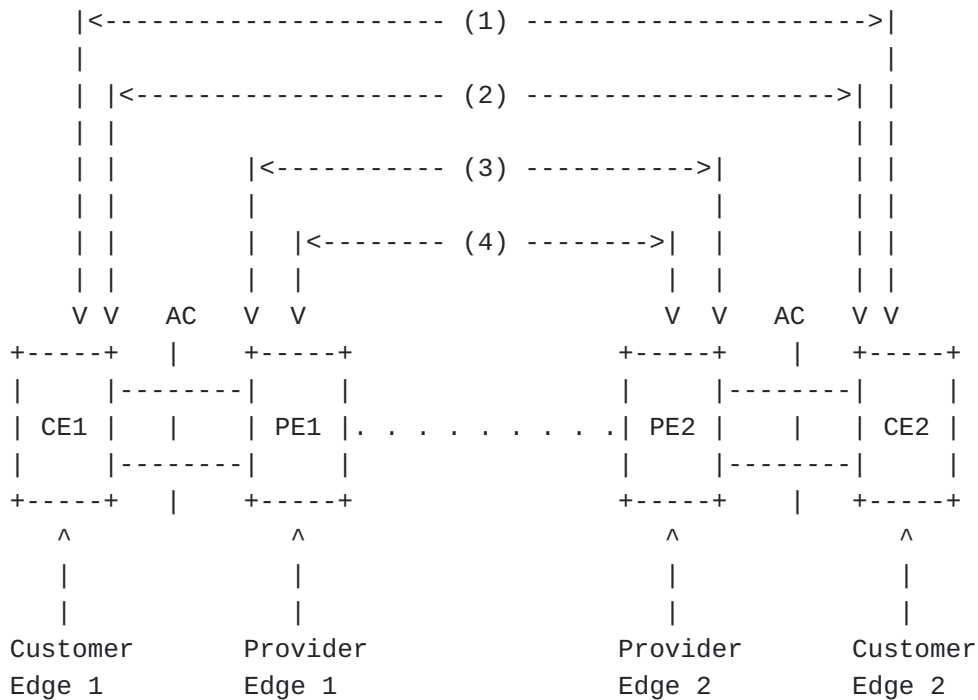


Figure 1: Positioning IETF Service Demarcation Points

Explanatory notes for [Figure 1](#) are as follows:

1. If the CE is operated by the IETF Network Slice service provider, then the edge of the IETF Network Slice may be within the CE. In this case the slicing process may utilize resources from within the CE such as buffers and queues on the outgoing interfaces.

2. The IETF Network Slice may be extended as far as the CE, to include the AC, but not to include any part of the CE. In this case, the CE may be operated by the customer or the provider. Slicing the resources on the AC may require the use of traffic tagging (such as through Ethernet VLAN tags) or may require traffic policing at the AC link ends.
3. The SDPs of the IETF Network Slice are the customer-facing ports on the PEs. This case can be managed in a way that is similar to a port-based VPN: each port (AC) or virtual port (e.g., VLAN tag) identifies the IETF Network Slice and maps to an IETF Network Slice SDP.
4. Finally, the SDP may be within the PE. In this mode, the PE classifies the traffic coming from the AC according to information (such as the source and destination IP addresses, payload protocol and port numbers, etc.) in order to place it onto an IETF Network Slice.

The choice of which of these options to apply is entirely up to the network operator. It may limit or enable the provisioning of particular managed services and the operator will want to consider how they want to manage CEs and what control they wish to offer the customer over AC resources.

Note that [Figure 1](#) shows a symmetrical positioning of SDPs, but this decision can be taken on a per-SDP basis through agreement between the customer and provider.

In practice, it may be necessary to map traffic not only onto an IETF Network Slice, but also onto a specific connectivity construct if the IETF Network Slice supports more than one with a source at the specific SDP. The mechanism used will be one of the mechanisms described above, dependent on how the SDP is realized.

Finally, note (as described in [Section 3.2](#)) that an SDP is an abstract endpoint of an IETF Network Slice service and as such may be a device, interface, or software component. An ancillary CE ([Section 4.2.3](#)) should also be thought of as an SDP.

5.3. IETF Network Slice Composition

Operationally, an IETF Network Slice may be composed of two or more IETF Network Slices as specified below. Decomposed network slices are independently realized and managed.

*Hierarchical (i.e., recursive) composition: An IETF Network Slice can be further sliced into other network slices. Recursive composition allows an IETF Network Slice at one layer to be used

by the other layers. This type of multi-layer vertical IETF Network Slice associates resources at different layers.

*Sequential composition: Different IETF Network Slices can be placed into a sequence to provide an end-to-end service. In sequential composition, each IETF Network Slice would potentially support different dataplanes that need to be stitched together.

6. Framework

A number of IETF Network Slice services will typically be provided over a shared underlay network infrastructure. Each IETF Network Slice consists of both the overlay connectivity and a specific set of dedicated network resources and/or functions allocated in a shared underlay network to satisfy the needs of the IETF Network Slice service customer. In at least some examples of underlay network technologies, the integration between the overlay and various underlay resources is needed to ensure the guaranteed performance requested for different IETF Network Slices.

6.1. IETF Network Slice Stakeholders

An IETF Network Slice and its realization involve the following stakeholders.

Orchestrator: An orchestrator is an entity that composes different services, resource, and network requirements. It interfaces with the IETF NSC when composing a complex service such as an end-to-end network slice.

IETF Network Slice Controller (NSC): The NSC realizes an IETF Network Slice in the underlay network, and maintains and monitors the run-time state of resources and topologies associated with it. A well-defined interface is needed to support interworking between different NSC implementations and different orchestrator implementations.

Network Controller: The Network Controller is a form of network infrastructure controller that offers network resources to the NSC to realize a particular network slice. This may be an existing network controller associated with one or more specific technologies that may be adapted to the function of realizing IETF Network Slices in a network.

The IETF Network Slice service customer and IETF Network Slice service provider (see [Section 3.2](#)) are also stakeholders. Clearly the service provider operates the network that is sliced to provide the IETF Network Slice service to the customer. The Network Controller and NSC are management components used by the service provider to operate their networks and deliver IETF Network Slice

services. As indicated in [Figure 2](#) and [Figure 3](#), the Orchestrator may be a component in the customer environment that requests and coordinates IETF Network Slice services from one or more service providers. In other circumstances, however, the Orchestrator may be a component used by the service provider to request and administer IETF Network Slices to deliver them to customers or to construct an infrastructure to deliver other services to the customer.

6.2. Expressing Connectivity Intents

An IETF Network Slice service customer communicates with the NSC using the IETF Network Slice Service Interface.

An IETF Network Slice service customer may be a network operator who, in turn, uses the IETF Network Slice to provide a service for another IETF Network Slice service customer.

Using the IETF Network Slice Service Interface, a customer expresses requirements for a particular slice by specifying what is required rather than how that is to be achieved. That is, the customer's view of a slice is an abstract one. Customers normally have limited (or no) visibility into the provider network's actual topology and resource availability information.

This should be true even if both the customer and provider are associated with a single administrative domain, in order to reduce the potential for adverse interactions between IETF Network Slice service customers and other users of the underlay network infrastructure.

The benefits of this model can include the following.

- *Security: The underlay network components are less exposed to attack because the underlay network (or network operator) does not need to expose network details (topology, capacity, etc.) to the IETF Network Slice service customers.

- *Layered Implementation: The underlay network comprises network elements that belong to a different layer network than customer applications. Network information (advertisements, protocols, etc.) that a customer cannot interpret or respond to is not exposed to the customer. (Note - a customer should not use network information not exposed via the IETF Network Slice Service Interface, even if that information is available.)

- *Scalability: Customers do not need to know any information concerning network topology, capabilities, or state beyond that which is exposed via the IETF Network Slice Service Interface.

The general issues of abstraction in a TE network are described more fully in [[RFC7926](#)].

This framework document does not assume any particular technology layer at which IETF Network Slices operate. A number of layers (including virtual L2, Ethernet or, IP connectivity) could be employed.

Data models and interfaces are needed to set up IETF Network Slices, and specific interfaces may have capabilities that allow creation of slices within specific technology layers.

Layered virtual connections are comprehensively discussed in other IETF documents. See, for instance, GMPLS-based networks [[RFC5212](#)] and [[RFC4397](#)], or Abstraction and Control of TE Networks (ACTN) [[RFC8453](#)] and [[RFC8454](#)]. The principles and mechanisms associated with layered networking are applicable to IETF Network Slices.

There are several IETF-defined mechanisms for expressing the need for a desired logical network. The IETF Network Slice Service Interface carries data either in a protocol-defined format, or in a formalism associated with a modeling language.

For instance:

- *The Path Computation Element (PCE) Communication Protocol (PCEP) [[RFC5440](#)] and GMPLS User-Network Interface (UNI) using RSVP-TE [[RFC4208](#)] use a TLV-based binary encoding to transmit data.

- *The Network Configuration Protocol (NETCONF) [[RFC6241](#)] and RESTCONF Protocol [[RFC8040](#)] use XML and JSON encoding.

- *gRPC/GNMI [[I-D.openconfig-rtgwg-gnmi-spec](#)] uses a binary encoded programmable interface. ProtoBufs can be used to model gRPC and GNMI data.

- *For data modeling, YANG ([[RFC6020](#)] and [[RFC7950](#)]) may be used to model configuration and other data for NETCONF, RESTCONF, and GNMI, among others.

While several generic formats and data models for specific purposes exist, it is expected that IETF Network Slice management may require enhancement or augmentation of existing data models. Further, it is possible that mechanisms will be needed to determine the feasibility of service requests before they are actually made.

6.3. IETF Network Slice Controller (NSC)

An IETF NSC takes requests for IETF Network Slice services and implements them using a suitable underlay technology. An IETF NSC is

the key component for control and management of the IETF Network Slice. It provides the creation/modification/deletion, monitoring and optimization of IETF Network Slices in a multi-domain, a multi-technology and multi-vendor environment.

The main task of an IETF NSC is to map abstract IETF Network Slice service requirements to concrete technologies and establish required connectivity ensuring that resources are allocated to the IETF Network Slice as necessary.

The IETF Network Slice Service Interface is used for communicating details of an IETF Network Slice service (configuration, selected policies, operational state, etc.), as well as information about status and performance of the IETF Network Slice. The details for this IETF Network Slice Service Interface are not in scope for this document, but further considerations of the requirements are discussed in [[I-D.ietf-teas-ietf-network-slice-use-cases](#)].

The controller provides the following functions.

- *Exposes an IETF Network Slice Service Interface for creation/modification/deletion of the IETF Network Slices that is agnostic to the technology of the underlay network. The API exposed by this interface communicates the Service Demarcation Points of the IETF Network Slice, IETF Network Slice SLO/SLE parameters (and possibly monitoring thresholds), applicable input selection (filtering) and various policies, and provides a way to monitor the slice.

- *Determines an abstract topology connecting the SDPs of the IETF Network Slice that meets criteria specified via the IETF Network Slice Service Interface. The NSC also retains information about the mapping of this abstract topology to underlay components of the IETF Network Slice as necessary to monitor IETF Network Slice status and performance.

- *Supports "Mapping Functions" for the realization of IETF Network Slices. In other words, it will use the mapping functions that:

- map IETF Network Slice Service Interface requests that are agnostic to the technology of the underlay network to technology-specific network configuration interfaces.

- map filtering/selection information as necessary to entities in the underlay network so that those entities are able to identify what traffic is associated with which connectivity construct and IETF network slice and necessary according to the realization solution, and how traffic should be treated to meet the SLOs and SLEs of the connectivity construct.

*Collects telemetry data (e.g., OAM results, statistics, states, etc.) via a network configuration interface for all elements in the abstract topology used to realize the IETF Network Slice.

*Evaluates the current performance against IETF Network Slice SLO parameters using the telemetry data from the underlying realization of an IETF Network Slice (i.e., services/paths/tunnels). Exposes this performance to the IETF Network Slice service customer via the IETF Network Slice Service Interface. The IETF Network Slice Service Interface may also include the capability to provide notifications if the IETF Network Slice performance reaches threshold values defined by the IETF Network Slice service customer.

6.3.1. IETF Network Slice Controller Interfaces

The interworking and interoperability among the different stakeholders to provide common means of provisioning, operating and monitoring the IETF Network Slices is enabled by the following communication interfaces (see [Figure 2](#)).

IETF Network Slice Service Interface: The IETF Network Slice Service Interface is an interface between a customer's higher level operation system (e.g., a network slice orchestrator or a customer network management system) and an NSC. It is agnostic to the technology of the underlay network. The customer can use this interface to communicate the requested characteristics and other requirements for the IETF Network Slice service, and an NSC can use the interface to report the operational state of an IETF Network Slice service to the customer. More discussion of the functionalities for the IETF Network Slice Service Interface can be found in [[I-D.ietf-teas-ietf-network-slice-use-cases](#)].

Network Configuration Interface: The Network Configuration Interface is an interface between an NSC and network controllers. It is technology-specific and may be built around the many network models already defined within the IETF.

These interfaces can be considered in the context of the Service Model and Network Model described in [[RFC8309](#)] and, together with the Device Configuration Interface used by the Network Controllers, provides a consistent view of service delivery and realization.

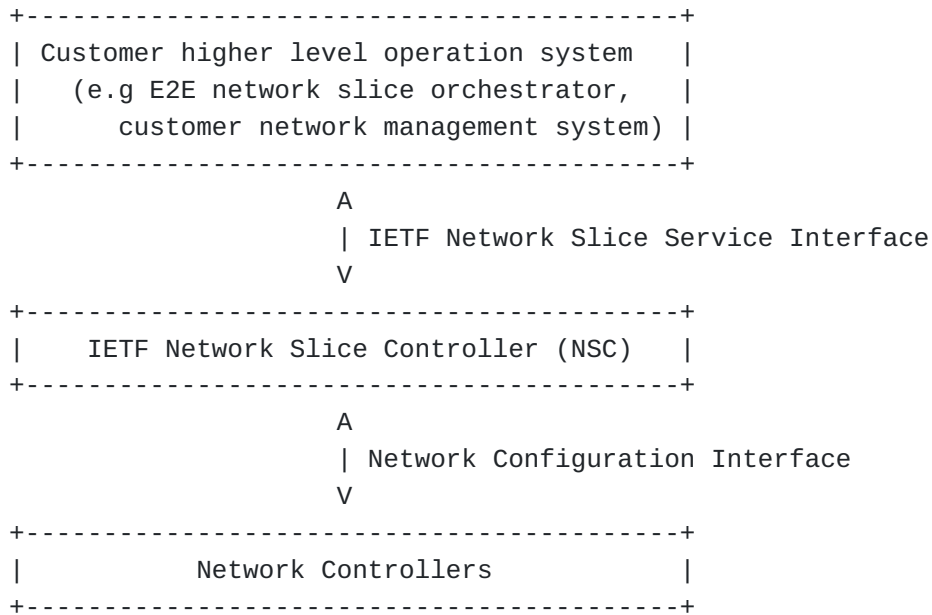


Figure 2: Interfaces of the IETF Network Slice Controller

6.3.1.1. IETF Network Slice Service Interface

The IETF Network Slice Controller provides an IETF Network Slice Service Interface that allows customers to manage IETF Network Slice services. Customers operate on abstract IETF Network Slice services, with details related to their realization hidden.

The IETF Network Slice Service Interface is also independent of the type of network functions or services that need to be connected, i.e., it is independent of any specific storage, software, protocol, or platform used to realize physical or virtual network connectivity or functions in support of IETF Network Slices.

The IETF Network Slice Service Interface uses protocol mechanisms and information passed over those mechanisms to convey desired attributes for IETF Network Slices and their status. The information is expected to be represented as a well-defined data model, and should include at least SDP and connectivity information, SLO/SLE specification, and status information.

6.3.2. Management Architecture

The management architecture described in [Figure 2](#) may be further decomposed as shown in [Figure 3](#). This should also be seen in the context of the component architecture shown in [Figure 4](#) and corresponds to the architecture in [[RFC8309](#)].

Note that the customer higher level operation system of [Figure 2](#) and the Network Slice Orchestrator of [Figure 3](#) may be considered equivalent to the Service Management & Orchestration (SMO) of [\[ORAN\]](#).

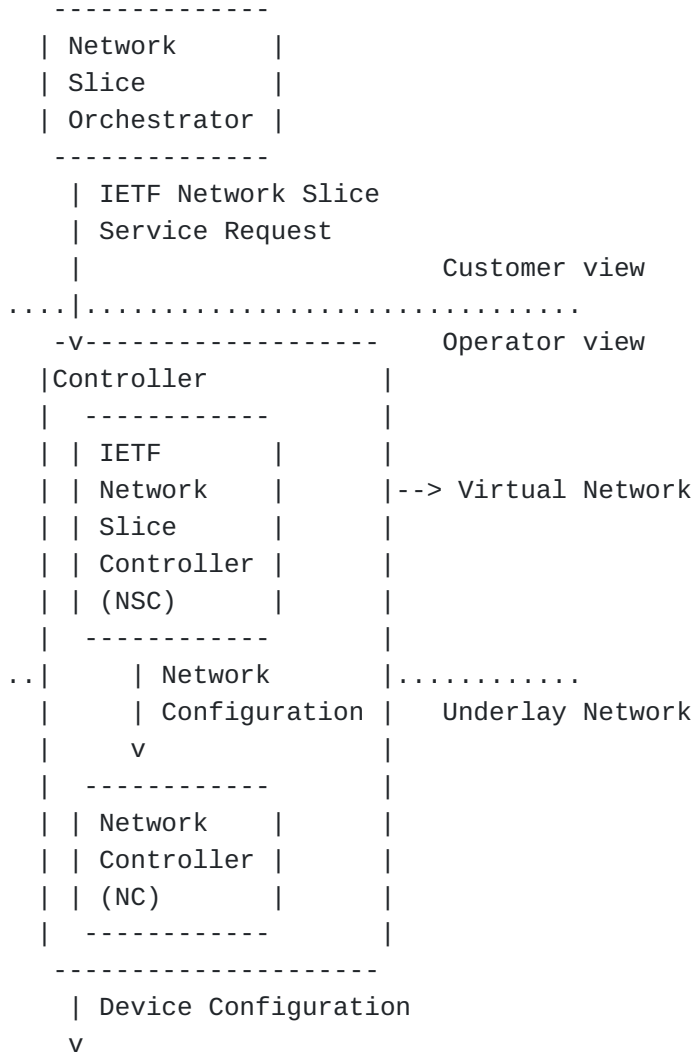


Figure 3: Interface of IETF Network Slice Management Architecture

7. Realizing IETF Network Slices

Realization of IETF Network Slices is out of scope of this document. It is a mapping of the definition of the IETF Network Slice to the underlying infrastructure and is necessarily technology-specific and achieved by an NSC over the Network Configuration Interface. However, this section provides an overview of the components and processes involved in realizing an IETF Network Slice.

7.1. An Architecture to Realize IETF Network Slices

The architecture described in this section is deliberately at a high level. It is not intended to be prescriptive: implementations and technical solutions may vary freely. However, this approach provides a common framework that other documents may reference in order to facilitate a shared understanding of the work.

[Figure 4](#) shows the architectural components of a network managed to provide IETF Network Slices. The customer's view is of individual IETF Network Slice services with their SDPs, and connectivity constructs. Requests for IETF Network Slice services are delivered to an NSC.

The figure shows, without loss of generality, the CEs, ACs, and PEs, that exist in the network. The SDPs are not shown and can be placed in any of the ways described in [Section 5.2](#).

The network itself (at the bottom of the figure) comprises an underlay network. This could be a physical network, but may be a virtual network. The underlay network is provisioned through network controllers that may utilize device controllers [[RFC8309](#)].

The underlay network may optionally be filtered or customized by the network operator to produce a number of network topologies that we call Filtered Topologies. Customization is just a way of selecting specific resources (e.g., nodes and links) from the underlay network according to their capabilities and connectivity in the underlay network. These actions are configuration options or operator policies that preselect links and nodes with certain performance characteristics to enable more easy construction of NRPs (see below) that can reliably support specific IETF Network Slice SLAs: for example, preselection of links with certain security characteristics, preselection of links with specific geographic properties, or mapping to colored topologies. The resulting topologies can be used as candidates to host IETF Network Slices and provide a useful way for the network operator to know in advance that all of the resources they are using to plan an IETF Network Slice would be able to meet specific SLOs and SLEs. The creation of a Filtered Topology could be an offline planning activity or could be performed dynamically as new demands arise. The use of Filtered Topologies is entirely optional in the architecture, and IETF Network Slices could be hosted directly on the underlay network.

Recall that an IETF Network Slice is a service requested by / provided for the customer. The IETF Network Slice service is expressed in terms of one or more connectivity constructs. An implementation or operator is free to limit the number of connectivity constructs in an IETF Network Slice to exactly one. Each connectivity construct is associated within the IETF Network Slice service request with a set of SLOs and SLEs. The set of SLOs and SLEs does not need to be the same for every connectivity construct in the IETF Network Slice, but an implementation or operator is free to require that all connectivity constructs in an IETF Network Slice have the same set of SLOs and SLEs.

A Network Resource Partition (NRP) is a subset of the buffer/queuing/scheduling resources and associated policies on each of a connected set of links in the underlay network (for example, as achieved in [[I-D.ietf-spring-resource-aware-segments](#)]). The connected set of links could be the entire set of links with all of their buffer/queuing/scheduling resources and behaviors in the underlay network and in this case there would be just one NRP supported in the underlay network. The amount and granularity of resources allocated in an NRP is flexible and depends on the operator's policy. Some NRP realizations may build NRPs with dedicated topologies, while other realizations may use a shared

topology for multiple NRPs. Realizations of an NRP may be built on a range of existing or new technologies, and this document explicitly does not constrain solution technologies.

One or more connectivity constructs from one or more IETF Network Slices are mapped to an NRP. A single connectivity construct is mapped to only one NRP (that is, the relationship is many to one). Thus, all traffic flows in a connectivity construct assigned to an NRP are assigned to that NRP. Further, all PEs connected by a connectivity construct must be present in the NRP to which that connectivity construct is assigned.

An NRP may be chosen to support a specific connectivity construct because of its ability to support a specific set of SLOs and SLEs, or its ability to support particular connectivity types, or for any administrative or operational reason. An implementation or operator is free to map each connectivity construct to a separate NRP, although there may be scaling implications depending on the solution implemented. Thus, the connectivity constructs from one slice may be mapped to one or more NRPs. By implication from the above, an implementation or operator is free to map all the connectivity constructs in a slice to a single NRP, and to not share that NRP with connectivity constructs from another slice.

An NRP may use work-conserving schedulers, non-work conserving schedulers, or both (see Section 2 of [[RFC3290](#)]) according to the function that it needs to deliver. The choice of how network resources are allocated and managed for an NRP, and whether a work-conserving scheduling approach or a non-work conserving scheduling approach is adopted, is technology specific: an implementation or operator is free to choose the set of techniques for NRP realization.

The process of determining the NRP may be made easier if the underlay network topology is first filtered into a Filtered Topology in order to be aware of the subset of network resources that are suitable for specific NRPs. In this case, each Filtered Topology is treated as an underlay network on which NRPs can be constructed. The stage of generating Filtered Topologies is optional within this framework.

The steps described here can be applied in a variety of orders according to implementation and deployment preferences. Furthermore, the steps may be iterative so that the components are continually refined and modified as network conditions change and as service requests are received or relinquished, and even the underlay network could be extended if necessary to meet the customers' demands.

7.2. Procedures to Realize IETF Network Slices

There are a number of different technologies that can be used in the underlay, including physical connections, MPLS, time-sensitive networking (TSN), Flex-E, etc.

An IETF Network Slice can be realized in a network, using specific underlay technology or technologies. The creation of a new IETF Network Slice will be realized with following steps:

- *An NSC exposes the network slicing capabilities that it offers for the network it manages so that the customer can determine whether to request services and what features are in scope.
- *The customer may issue a request to determine whether a specific IETF Network Slice service could be supported by the network. An NSC may respond indicating a simple yes or no, and may supplement a negative response with information about what it could support were the customer to change some requirements.
- *The customer requests an IETF Network Slice service. An NSC may respond that the slice has or has not been created, and may supplement a negative response with information about what it could support were the customer to change some requirements.
- *When processing a customer request for an IETF Network Slice service, an NSC maps the request to the network capabilities and applies provider policies before creating or supplementing the NRP.

Regardless of how IETF Network Slice is realized in the network (i.e., using tunnels of different types), the definition of the IETF Network Slice service does not change at all. The only difference is how the slice is realized. The following sections briefly introduce how some existing architectural approaches can be applied to realize IETF Network Slices.

7.3. Applicability of ACTN to IETF Network Slices

Abstraction and Control of TE Networks (ACTN - [[RFC8453](#)]) is a management architecture and toolkit used to create virtual networks (VNs) on top of a TE underlay network. The VNs can be presented to customers for them to operate as private networks.

In many ways, the function of ACTN is similar to IETF network slicing. Customer requests for connectivity-based overlay services are mapped to dedicated or shared resources in the underlay network in a way that meets customer guarantees for service level objectives and for separation from other customers' traffic. [[RFC8453](#)] describes the function of ACTN as collecting resources to establish

a logically dedicated virtual network over one or more TE networks. Thus, in the case of a TE-enabled underlay network, the ACTN VN can be used as a basis to realize IETF network slicing.

While the ACTN framework is a generic VN framework that can be used for VN services beyond the IETF Network Slice, it is also a suitable basis for delivering and realizing IETF Network Slices.

Further discussion of the applicability of ACTN to IETF Network Slices including a discussion of the relevant YANG models can be found in [[I-D.ietf-teas-applicability-actn-slicing](#)].

7.4. Applicability of Enhanced VPNs to IETF Network Slices

An enhanced VPN (VPN+) is designed to support the needs of new applications, particularly applications that are associated with 5G services, by utilizing an approach that is based on existing VPN and TE technologies and adds characteristics that specific services require over and above VPNs as they have previously been specified.

An enhanced VPN can be used to provide enhanced connectivity services between customer sites and can be used to create the infrastructure to underpin a IETF Network Slice service.

It is envisaged that enhanced VPNs will be delivered using a combination of existing, modified, and new networking technologies.

[[I-D.ietf-teas-enhanced-vpn](#)] describes the framework for Enhanced Virtual Private Network (VPN+) services.

7.5. Network Slicing and Aggregation in IP/MPLS Networks

Network slicing provides the ability to partition a physical network into multiple logical networks of varying sizes, structures, and functions so that each slice can be dedicated to specific services or customers. The support of resource preemption between IETF network slices is deployment specific.

Many approaches are currently being worked on to support IETF Network Slices in IP and MPLS networks with or without the use of Segment Routing. Most of these approaches utilize a way of marking packets so that network nodes can apply specific routing and forwarding behaviors to packets that belong to different IETF Network Slices. Different mechanisms for marking packets have been proposed (including using MPLS labels and Segment Routing segment IDs) and those mechanisms are agnostic to the path control technology used within the underlay network.

These approaches are also sensitive to the scaling concerns of supporting a large number of IETF Network Slices within a single IP

or MPLS network, and so offer ways to aggregate the connectivity constructs of slices (or whole slices) so that the packet markings indicate an aggregate or grouping where all of the packets are subject to the same routing and forwarding behavior.

At this stage, it is inappropriate to mention any of these proposed solutions that are currently work in progress and not yet adopted as IETF work.

7.6. Network Slicing and Service Function Chaining (SFC)

A customer may request an IETF Network Slice service that involves a set of service functions (SFs) together with the order in which these SFs are invoked. Also, the customer can specify the service objectives to be met by the underlay network (e.g., one-way delay to cross a service function path, one-way delay to reach a specific SF). These SFs are considered as ancillary CEs and are possibly placeholders (i.e., the SFs are identified, but not their locators).

Service Function Chaining (SFC) [[RFC7665](#)] techniques can be used by a provider to instantiate such an IETF Network Service Slice. An NSC may proceed as follows.

- *Expose a set of ancillary CEs that are hosted in the underlay network.
 - *Capture the SFC requirements (including, traffic performance metrics) from the customer. One or more service chains may be associated with the same IETF Network Slice service as connectivity constructs.
 - *Execute an SF placement algorithm to decide where to locate the ancillary CEs in order to fulfill the service objectives.
 - *Generate SFC classification rules to identify (part of) the slice traffic that will be bound to an SFC. These classification rules may be the same as or distinct from the identification rules used to bind incoming traffic to the associated IETF Network Slice.
- An NSC also generates a set of SFC forwarding policies that govern how the traffic will be forwarded along a service function path (SFP).
- *Identify the appropriate Classifiers in the underlay network and provision them with the classification rules. Likewise, an NSC communicates the SFC forwarding policies to the appropriate Service Function Forwarders (SFF).

The provider can enable an SFC data plane mechanism, such as [[RFC8300](#)], [[RFC8596](#)], or [[I-D.ietf-spring-nsh-sr](#)].

8. Isolation in IETF Network Slices

8.1. Isolation as a Service Requirement

An IETF Network Slice service customer may request that the IETF Network Slice delivered to them is such that changes to other IETF Network Slices or to other services do not have any negative impact on the delivery of the IETF Network Slice. The IETF Network Slice service customer may specify the extent to which their IETF Network Slice service is unaffected by changes in the provider network or by the behavior of other IETF Network Slice service customers. The customer may express this via an SLE it agrees with the provider. This concept is termed 'isolation'.

In general, a customer cannot tell whether a service provider is meeting an isolation SLE. If the service varies such that an SLO is breached then the customer will become aware of the problem, and if the service varies within the allowed bounds of the SLOs, there may be no noticeable indication that this SLE has been violated.

8.2. Isolation in IETF Network Slice Realization

Isolation may be achieved in the underlay network by various forms of resource partitioning ranging from dedicated allocation of resources for a specific IETF Network Slice, to sharing of resources with safeguards. For example, traffic separation between different IETF Network Slices may be achieved using VPN technologies, such as L3VPN, L2VPN, EVPN, etc. Interference avoidance may be achieved by network capacity planning, allocating dedicated network resources, traffic policing or shaping, prioritizing in using shared network resources, etc. Finally, service continuity may be ensured by reserving backup paths for critical traffic, dedicating specific network resources for a selected number of IETF Network Slices.

9. Management Considerations

IETF Network Slice realization needs to be instrumented in order to track how it is working, and it might be necessary to modify the IETF Network Slice as requirements change. Dynamic reconfiguration might be needed.

The various management interfaces and components are discussed in [Section 6](#).

10. Security Considerations

This document specifies terminology and has no direct effect on the security of implementations or deployments. In this section, a few of the security aspects are identified.

Conformance to security constraints:

Specific security requests from customer-defined IETF Network Slices service will be mapped to their realization in the underlay networks. Underlay networks will require capabilities to conform to customer's requests as some aspects of security may be expressed in SLEs.

IETF NSC authentication: Underlay networks need to be protected against the attacks from an adversary NSC as this could destabilize overall network operations. An IETF Network Slice may span across different networks, therefore, an NSC should have strong authentication with each of these networks. Furthermore, both the IETF Network Slice Service Interface and the Network Configuration Interface need to be secured.

Specific isolation criteria: The nature of conformance to isolation requests means that it should not be possible to attack an IETF Network Slice service by varying the traffic on other services or slices carried by the same underlay network. In general, isolation is expected to strengthen the IETF Network Slice security.

Data Integrity of an IETF Network Slice: A customer wanting to secure their data and keep it private will be responsible for applying appropriate security measures to their traffic and not depending on the network operator that provides the IETF Network Slice. It is expected that for data integrity, a customer is responsible for end-to-end encryption of its own traffic. While an IETF Network Slice might include encryption and other security features as part of the service (for example as SLEs), customers might be well advised to take responsibility for their own security needs.

Note: See [[NGMN_SEC](#)] on 5G network slice security for discussion relevant to this section.

IETF Network Slices might use underlying virtualized networking. All types of virtual networking require special consideration to be given to the separation of traffic between distinct virtual networks, as well as some amount of protection from effects of traffic use of underlay network (and other) resources from other virtual networks sharing those resources.

For example, if a service requires a specific upper bound of latency, then that service can be degraded by added delay in transmission of service packets caused by the activities of another service or application using the same resources.

Similarly, in a network with virtual functions, noticeably impeding access to a function used by another IETF Network Slice (for

instance, compute resources) can be just as service-degrading as delaying physical transmission of associated packet in the network.

11. Privacy Considerations

Privacy of IETF Network Slice service customers must be preserved. It should not be possible for one IETF Network Slice service customer to discover the presence of other customers, nor should sites that are members of one IETF Network Slice be visible outside the context of that IETF Network Slice.

In this sense, it is of paramount importance that the system use the privacy protection mechanism defined for the specific underlay technologies that support the slice, including in particular those mechanisms designed to preclude acquiring identifying information associated with any IETF Network Slice service customer.

12. IANA Considerations

This document makes no requests for IANA action.

Acknowledgments

The entire TEAS Network Slicing design team and everyone participating in related discussions has contributed to this document. Some text fragments in the document have been copied from the [[I-D.ietf-teas-enhanced-vpn](#)], for which we are grateful.

Significant contributions to this document were gratefully received from the contributing authors listed in the "Contributors" section. In addition we would like to also thank those others who have attended one or more of the design team meetings, including the following people not listed elsewhere:

*Aihua Guo

*Bo Wu

*Greg Mirsky

*Lou Berger

*Rakesh Gandhi

*Ran Chen

*Sergio Belotti

*Stewart Bryant

*Tomonobu Niwa

*Xuesong Geng

Further useful comments were received from Daniele Ceccarelli, Uma Chunduri, Pavan Beeram, Tarek Saad, Kenichi Ogaki, Oscar Gonzalez de Dios, Xiaobing Niu, Dan Voyer, Igor Bryskin, Luay Jalil, Joel Halpern, John Scudder, John Mullooly, Krzysztof Szarkowicz, Jingrong Xie, and Jia He.

This work is partially supported by the European Commission under Horizon 2020 grant agreement number 101015857 Secured autonomic traffic management for a Tera of SDN flows (Teraflow).

Contributors

The following authors contributed significantly to this document:

Eric Gray
(The original editor of the foundation documents)
Retired

Jari Arkko
Ericsson
Email: jari.arkko@piuha.net

Mohamed Boucadair
Orange
Email: mohamed.boucadair@orange.com

Dhruv Dhody
Huawei, India
Email: dhruv.ietf@gmail.com

Jie Dong
Huawei
Email: jie.dong@huawei.com

Xufeng Liu
Volta Networks
Email: xufeng.liu.ietf@gmail.com

Informative References

[HIPAA] HHS, "Health Insurance Portability and Accountability Act - The Security Rule", February 2003, <<https://www.hhs.gov/hipaa/for-professionals/security/index.html>>.

[I-D.ietf-opsawg-sap]

Boucadair, M., de Dios, O. G., Barguil, S., Wu, Q., and V. Lopez, "A YANG Network Model for Service Attachment Points (SAPs)", Work in Progress, Internet-Draft, draft-ietf-opsawg-sap-15, 18 January 2023, <<https://www.ietf.org/archive/id/draft-ietf-opsawg-sap-15.txt>>.

[I-D.ietf-spring-nsh-sr] Guichard, J. and J. Tantsura, "Integration of Network Service Header (NSH) and Segment Routing for Service Function Chaining (SFC)", Work in Progress, Internet-Draft, draft-ietf-spring-nsh-sr-11, 20 April 2022, <<https://www.ietf.org/archive/id/draft-ietf-spring-nsh-sr-11.txt>>.

[I-D.ietf-spring-resource-aware-segments]

Dong, J., Bryant, S., Miyasaka, T., Zhu, Y., Qin, F., Li, Z., and F. Clad, "Introducing Resource Awareness to SR Segments", Work in Progress, Internet-Draft, draft-ietf-spring-resource-aware-segments-06, 11 October 2022, <<https://www.ietf.org/archive/id/draft-ietf-spring-resource-aware-segments-06.txt>>.

[I-D.ietf-teas-applicability-actn-slicing] King, D., Drake, J., Zheng, H., and A. Farrel, "Applicability of Abstraction and Control of Traffic Engineered Networks (ACTN) to Network Slicing", Work in Progress, Internet-Draft, draft-ietf-teas-applicability-actn-slicing-02, 6 September 2022, <<https://www.ietf.org/archive/id/draft-ietf-teas-applicability-actn-slicing-02.txt>>.

[I-D.ietf-teas-enhanced-vpn] Dong, J., Bryant, S., Li, Z., Miyasaka, T., and Y. Lee, "A Framework for Enhanced Virtual Private Network (VPN+)", Work in Progress, Internet-Draft, draft-ietf-teas-enhanced-vpn-11, 19 September 2022, <<https://www.ietf.org/archive/id/draft-ietf-teas-enhanced-vpn-11.txt>>.

[I-D.ietf-teas-ietf-network-slice-use-cases]

Contreras, L. M., Homma, S., Ordonez-Lucena, J. A., Tantsura, J., and H. Nishihara, "IETF Network Slice Use Cases and Attributes for the Slice Service Interface of IETF Network Slice Controllers", Work in Progress, Internet-Draft, draft-ietf-teas-ietf-network-slice-use-

cases-01, 24 October 2022, <<https://www.ietf.org/archive/id/draft-ietf-teas-ietf-network-slice-use-cases-01.txt>>.

[I-D.openconfig-rtgwg-gnmi-spec]

Shakir, R., Shaikh, A., Borman, P., Hines, M., Lebsack, C., and C. Morrow, "gRPC Network Management Interface (gNMI)", Work in Progress, Internet-Draft, draft-openconfig-rtgwg-gnmi-spec-01, 5 March 2018, <<https://www.ietf.org/archive/id/draft-openconfig-rtgwg-gnmi-spec-01.txt>>.

[MACsec]

IEEE, "IEEE Standard for Local and metropolitan area networks - Media Access Control (MAC) Security", 2018, <<https://1.ieee802.org/security/802-1ae>>.

[NGMN-NS-Concept]

NGMN Alliance, "Description of Network Slicing Concept", https://www.ngmn.org/uploads/media/161010_NGMN_Network_Slicing_framework_v1.0.8.pdf , 2016.

[NGMN_SEC]

NGMN Alliance, "NGMN 5G Security - Network Slicing", April 2016, <https://www.ngmn.org/wp-content/uploads/Publications/2016/160429_NGMN_5G_Security_Network_Slicing_v1_0.pdf>.

[ORAN]

O-RAN, "O-RAN Working Group 1 Slicing Architecture", O-RAN.WG1 v06.00, 2022, <<https://orandownloadsweb.azurewebsites.net/specifications>>.

[PCI]

PCI Security Standards Council, "PCI DSS", May 2018, <<https://www.pcisecuritystandards.org>>.

[RFC3290]

Bernet, Y., Blake, S., Grossman, D., and A. Smith, "An Informal Management Model for Diffserv Routers", RFC 3290, DOI 10.17487/RFC3290, May 2002, <<https://www.rfc-editor.org/info/rfc3290>>.

[RFC3393]

Demichelis, C. and P. Chimento, "IP Packet Delay Variation Metric for IP Performance Metrics (IPPM)", RFC 3393, DOI 10.17487/RFC3393, November 2002, <<https://www.rfc-editor.org/info/rfc3393>>.

[RFC4208]

Swallow, G., Drake, J., Ishimatsu, H., and Y. Rekhter, "Generalized Multiprotocol Label Switching (GMPLS) User-Network Interface (UNI): Resource ReserVation Protocol-Traffic Engineering (RSVP-TE) Support for the Overlay

Model", RFC 4208, DOI 10.17487/RFC4208, October 2005, <<https://www.rfc-editor.org/info/rfc4208>>.

- [RFC4303] Kent, S., "IP Encapsulating Security Payload (ESP)", RFC 4303, DOI 10.17487/RFC4303, December 2005, <<https://www.rfc-editor.org/info/rfc4303>>.
- [RFC4364] Rosen, E. and Y. Rekhter, "BGP/MPLS IP Virtual Private Networks (VPNs)", RFC 4364, DOI 10.17487/RFC4364, February 2006, <<https://www.rfc-editor.org/info/rfc4364>>.
- [RFC4397] Bryskin, I. and A. Farrel, "A Lexicography for the Interpretation of Generalized Multiprotocol Label Switching (GMPLS) Terminology within the Context of the ITU-T's Automatically Switched Optical Network (ASON) Architecture", RFC 4397, DOI 10.17487/RFC4397, February 2006, <<https://www.rfc-editor.org/info/rfc4397>>.
- [RFC5212] Shiomoto, K., Papadimitriou, D., Le Roux, JL., Vigoureux, M., and D. Brungard, "Requirements for GMPLS-Based Multi-Region and Multi-Layer Networks (MRN/MLN)", RFC 5212, DOI 10.17487/RFC5212, July 2008, <<https://www.rfc-editor.org/info/rfc5212>>.
- [RFC5440] Vasseur, JP., Ed. and JL. Le Roux, Ed., "Path Computation Element (PCE) Communication Protocol (PCEP)", RFC 5440, DOI 10.17487/RFC5440, March 2009, <<https://www.rfc-editor.org/info/rfc5440>>.
- [RFC6020] Bjorklund, M., Ed., "YANG - A Data Modeling Language for the Network Configuration Protocol (NETCONF)", RFC 6020, DOI 10.17487/RFC6020, October 2010, <<https://www.rfc-editor.org/info/rfc6020>>.
- [RFC6241] Enns, R., Ed., Bjorklund, M., Ed., Schoenwaelder, J., Ed., and A. Bierman, Ed., "Network Configuration Protocol (NETCONF)", RFC 6241, DOI 10.17487/RFC6241, June 2011, <<https://www.rfc-editor.org/info/rfc6241>>.
- [RFC7665] Halpern, J., Ed. and C. Pignataro, Ed., "Service Function Chaining (SFC) Architecture", RFC 7665, DOI 10.17487/RFC7665, October 2015, <<https://www.rfc-editor.org/info/rfc7665>>.
- [RFC7679] Almes, G., Kalidindi, S., Zekauskas, M., and A. Morton, Ed., "A One-Way Delay Metric for IP Performance Metrics

(IPPM)", STD 81, RFC 7679, DOI 10.17487/RFC7679, January 2016, <<https://www.rfc-editor.org/info/rfc7679>>.

[RFC7680] Almes, G., Kalidindi, S., Zekauskas, M., and A. Morton, Ed., "A One-Way Loss Metric for IP Performance Metrics (IPPM)", STD 82, RFC 7680, DOI 10.17487/RFC7680, January 2016, <<https://www.rfc-editor.org/info/rfc7680>>.

[RFC7926] Farrel, A., Ed., Drake, J., Bitar, N., Swallow, G., Ceccarelli, D., and X. Zhang, "Problem Statement and Architecture for Information Exchange between Interconnected Traffic-Engineered Networks", BCP 206, RFC 7926, DOI 10.17487/RFC7926, July 2016, <<https://www.rfc-editor.org/info/rfc7926>>.

[RFC7950] Bjorklund, M., Ed., "The YANG 1.1 Data Modeling Language", RFC 7950, DOI 10.17487/RFC7950, August 2016, <<https://www.rfc-editor.org/info/rfc7950>>.

[RFC8040] Bierman, A., Bjorklund, M., and K. Watsen, "RESTCONF Protocol", RFC 8040, DOI 10.17487/RFC8040, January 2017, <<https://www.rfc-editor.org/info/rfc8040>>.

[RFC8300] Quinn, P., Ed., Elzur, U., Ed., and C. Pignataro, Ed., "Network Service Header (NSH)", RFC 8300, DOI 10.17487/RFC8300, January 2018, <<https://www.rfc-editor.org/info/rfc8300>>.

[RFC8309] Wu, Q., Liu, W., and A. Farrel, "Service Models Explained", RFC 8309, DOI 10.17487/RFC8309, January 2018, <<https://www.rfc-editor.org/info/rfc8309>>.

[RFC8453] Ceccarelli, D., Ed. and Y. Lee, Ed., "Framework for Abstraction and Control of TE Networks (ACTN)", RFC 8453, DOI 10.17487/RFC8453, August 2018, <<https://www.rfc-editor.org/info/rfc8453>>.

[RFC8454] Lee, Y., Belotti, S., Dhody, D., Ceccarelli, D., and B. Yoon, "Information Model for Abstraction and Control of TE Networks (ACTN)", RFC 8454, DOI 10.17487/RFC8454, September 2018, <<https://www.rfc-editor.org/info/rfc8454>>.

[RFC8596] Malis, A., Bryant, S., Halpern, J., and W. Henderickx, "MPLS Transport Encapsulation for the Service Function Chaining (SFC) Network Service Header (NSH)", RFC 8596,

DOI 10.17487/RFC8596, June 2019, <<https://www.rfc-editor.org/info/rfc8596>>.

- [TS23501] 3GPP, "System architecture for the 5G System (5GS)", 3GPP TS 23.501, 2019.
- [TS28530] 3GPP, "Management and orchestration; Concepts, use cases and requirements", 3GPP TS 28.530, 2019.
- [TS33.210] 3GPP, "3G security; Network Domain Security (NDS); IP network layer security (Release 14).", December 2016, <<https://portal.3gpp.org/desktopmodules/Specifications/SpecificationDetails.aspx?specificationId=2279>>.

Appendix A. Examples

This appendix contains realisation examples. This is not intended to be a complete set of possible deployments. Nor does it provide definitive ways to realise these deployments.

The examples shown here must not be considered to be normative. The descriptions of terms and concepts in the body of the document take precedence. The examples

A.1. Multi-Point to Point Service

As described in [Section 4.2](#) an MP2P service can be realized with multiple P2P connectivity constructs. [Figure 5](#) shows a simple MP2P service where traffic is sent from any of CE1, CE2, and CE3, to the receiver which is CE4. The service comprises three P2P connectivity constructs CE1-CE4, CE2-CE4, and CE3-CE4.

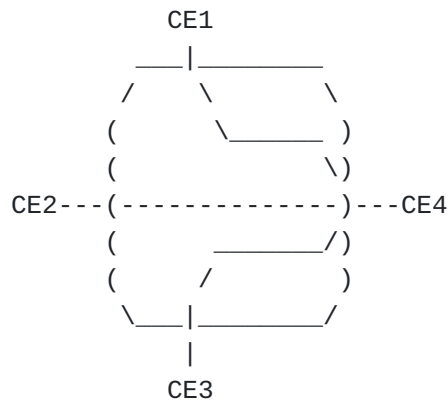


Figure 5: Example MP2P Service with P2P Connections

A.2. Service Function Chaining and Ancillary CEs

[Section 4.2.3](#) introduces the concept of ancillary CEs. [Figure 6](#) shows a simple example of IETF Network Slices with connectivity constructs that are used to deliver traffic from CE1 to CE3 taking in a service function along the path.

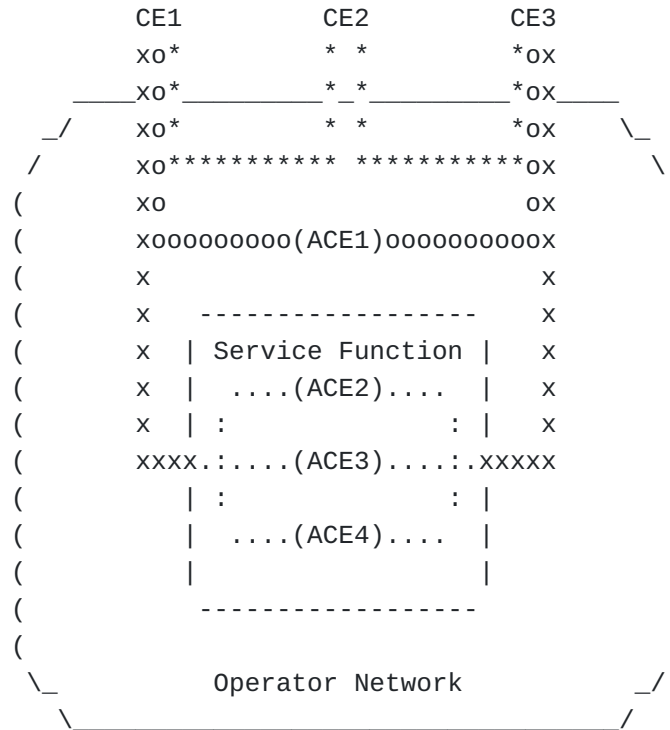


Figure 6: Example With Ancillary CEs

A customer may want to utilize a service where traffic is delivered from CE1 to CE3 including a service function sited within the customer's network at CE2. To achieve this, the customer may request an IETF Network Slice service comprising two P2P connectivity constructs (CE1-CE2 and CE2-CE3 represented as *** in the figure).

Alternatively, the service function for the same CE1 to CE3 flow may be hosted at a node within the network operator's. This is an ancillary CE in the IETF Network Slice service that the customer requests. This service contains two P2P connectivity constructs (CE1-ACE1 and ACE1-CE3 represented as ooo in the figure). How the customer knows of the existence of the ancillary CE, and the service functions it offers, is a matter for agreement between the customer and the network operator.

Finally, it may be that the customer knows that the network operator is able to provide the service function, but not know the location of the ancillary CE at which the service function is hosted. Indeed, it may be that the service function is hosted at a number of ancillary CEs (ACE2, ACE3, and ACE4 in the figure): the customer may or know the identities of the ancillary CEs, but be unwilling or unable to choose one; or the customer may not know about the ancillary CEs. In this case, the IETF Network Slice Service request contains two P2P connectivity constructs (CE1-ServiceFunction and ServiceFunction to CE3 represented as xxx in the figure). It is left as a choice for the network operator which ancillary CE to use and how to realise the connectivity constructs.

A.3. Hub and Spoke

Hub and spoke is a popular way to realise any-to-any connectivity in support of multiple P2P traffic flows (where the hub performs routing), or of P2MP flows (where the hub is responsible for replication). In many case, it is the network operator's choice whether to use hub and spoke to realise a mesh of P2P connectivity constructs or P2MP connectivity constructs: this is entirely their business as the customer is not aware of how the connectivity constructs are supported within the network.

However, it may be the case that the customer wants to control the behavior and location of the hub. In this case, the hub appears as an ancillary CE as shown in [Figure 7](#).

For the P2P mesh case, the customer does not specify a mesh of P2P connectivity constructs (such as CE1-CE2, CE1-CE3, CE2-CE3 and the equivalent reverse direction connectivity), but connects each CE to the hub with P2P connectivity constructs (as CE1-Hub, CE2-Hub, CE3-Hub and the equivalent reverse direction connectivity). This scales better in terms of provisioning compared to a full mesh, but does require that the hub is capable of routing traffic between connectivity constructs.

For the P2MP case, does nor specify a single P2MP connectivity construct (in this case, CE3- $\{CE1+CE2\}$), but requests three P2P connectivity constructs (as CE3-Hub, Hub-CE1, and Hub-CE2). It is the hub's responsibility to replicate the traffic from CE3 and send it to both CE1 and CE2.

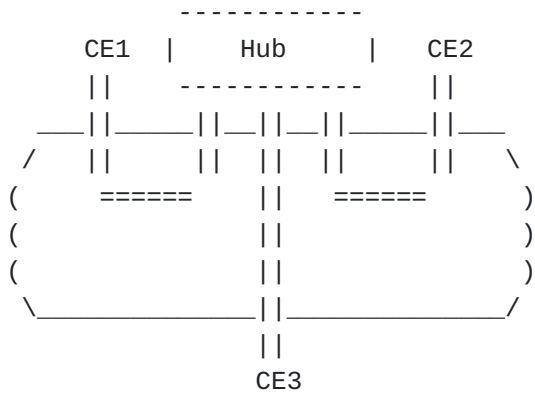


Figure 7: Example Hub and Spoke Under Customer Control

A.4. Layer 3 VPN

Layer 3 VPNs are a common service offered by network operators to their customers. They may be modelled as an any-to-any service, but are often realised as a mesh of P2P connections, or if multicast is supported, they may be realised as a mesh of P2MP connections.

[Figure 8](#) shows an IETF Network Slice Service with a single A2A connectivity construct between the SDPs CE1, CE2, CE3, and CE4. It is a free choice how the network operator realises this service. They may use a full mesh of P2P connections, a hub and spoke configuration, or some combination of these approaches.

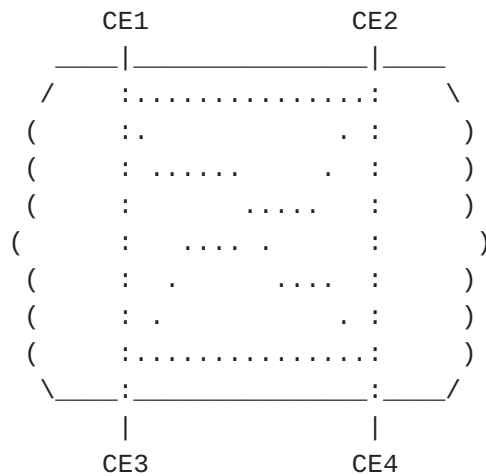


Figure 8: Example L3VPN Service

A.5. Hierarchical Composition of Network Slices

As mentioned in [Section 5.3](#), IETF Network Slices may be arranged hierarchically. There is nothing special or novel about such an arrangement, and it models the hierarchical arrangement of services of virtual networks in many other environments.

As shown in [Figure 9](#), an Operator's Controller (NSC) that is requested to provide an IETF Network Slice service for a customer may, in turn, request an IETF Network Slice service from another carrier. The Operator's NSC may manage and control the underlay IETF Network Slice by modifying the requested connectivity constructs and changing the SLAs. The customer is entirely unaware of the hierarchy of slices, and the underlay carrier is entirely unaware of how its slice is being used.

This "stacking" of IETF Network Slice constructs is no different to the way virtual networks may be arranged.

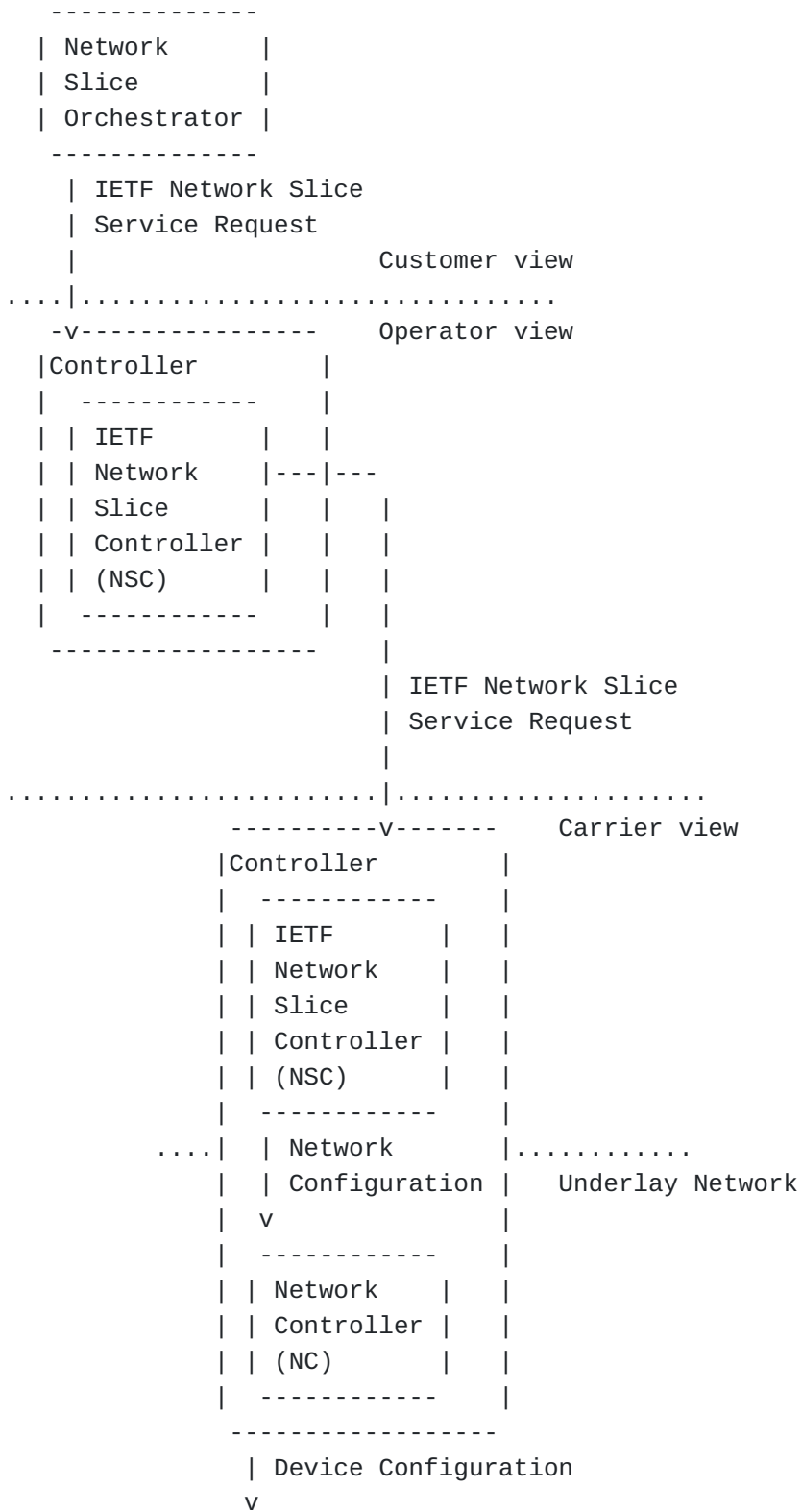


Figure 9: Example Hierarchical Arrangement of IETF Network Slices

In this case, the network hierarchy may also be used to provide connectivity between points in the higher layer network as shown in [Figure 10](#). Here, an IETF Network Slice may be requested of the lower layer network to provide the desired connectivity constructs to supplement the connectivity in the higher layer network where this connectivity might be presented as a virtual link.

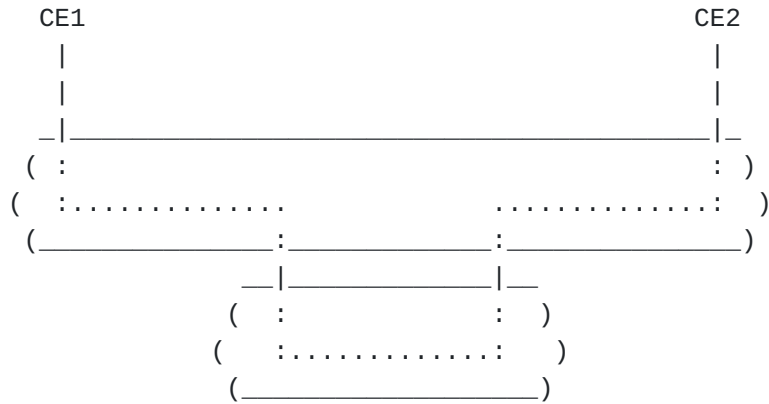


Figure 10: Example Hierarchical Arrangement of IETF Network Slices to Bridge Connectivity

A.6. Horizontal Composition of Network Slices

It may be that end-to-end connectivity is achieved using a set of cooperating networks as described in [Section 5.3](#). For example, there may be multiple inter-connected networks that provide the required connectivity as shown in [Figure 11](#). The networks may utilize different technologies and may be under separate administrative control.

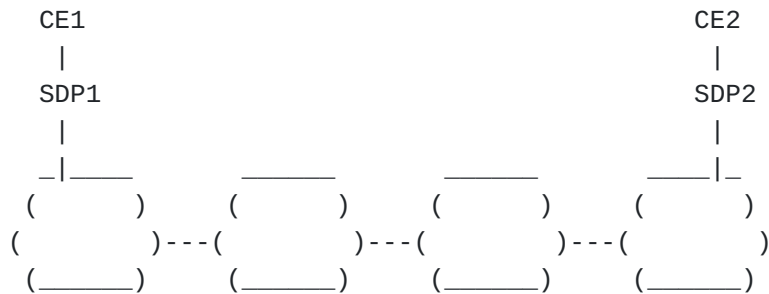


Figure 11: Example Customer View of Inter-connected Networks Providing End-to-End Connectivity

In this scenario, the customer (represented by CE1 and CE2) may request an IETF Network Slice service connecting the CEs. The customer considers the SDPs at the edge (shown as SDP1 and SDP2 in [Figure 11](#)) and might not be aware of how the end-to-end connectivity is composed.

However, because the various networks may be of different technologies and under separate administrative control, the networks are sliced individually and coordination is necessary to deliver the desired connectivity. The network to network interfaces (NNIs) are present as SDPs for the IETF Network Slices in each network so that each network is individually sliced. In the example in [Figure 11](#), this is illustrated as network 1 (N/w1) being sliced between SDP1 and SDPX, N/w2 being sliced between SDPY and SDPU, etc. The coordination activity involves binding the SDPs, and hence the connectivity constructs, to achieve end-to-end connectivity with the required SLOs and SLEs. In this way, simple and complex end-to-end connectivity can be achieved with a variety of connectivity constructs in the IETF Network Slices of different networks "stitched" together.

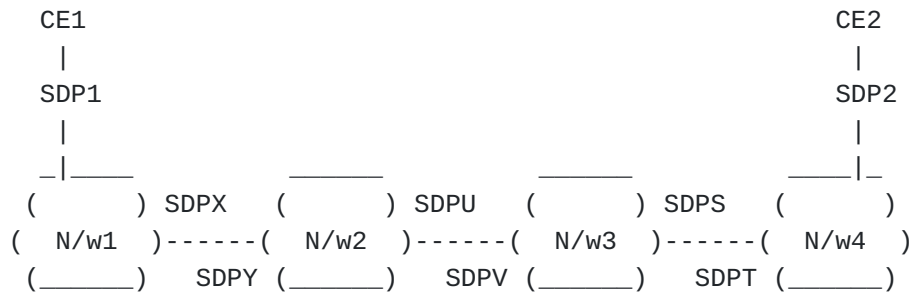


Figure 12: Example Delivery of An End-to-End IETF Network Slice with Inter-connected Networks

The controller/coordinator relationship is shown in [Figure 13](#).

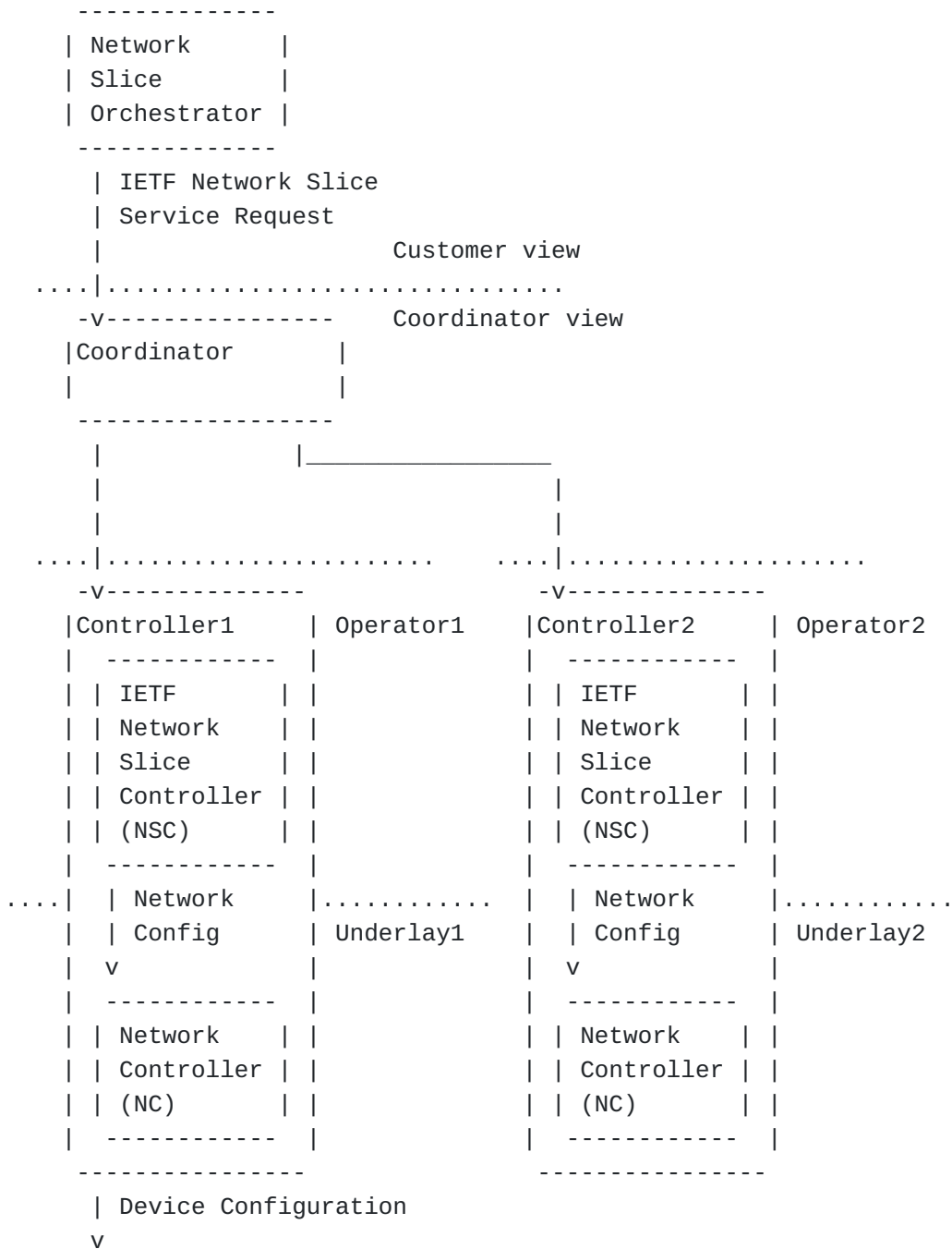


Figure 13: Example Relationship of IETF Network Slice Coordination

Authors' Addresses

Adrian Farrel (editor)
 Old Dog Consulting
 United Kingdom

Email: adrian@olddog.co.uk

John Drake (editor)
Juniper Networks
United States of America

Email: jdrake@juniper.net

Reza Rokui
Ciena

Email: rrokui@ciena.com

Shunsuke Homma
NTT
Japan

Email: shunsuke.homma.ietf@gmail.com

Kiran Makhijani
Futurewei
United States of America

Email: kiranm@futurewei.com

Luis M. Contreras
Telefonica
Spain

Email: luismiguel.contrerasmurillo@telefonica.com

Jeff Tantsura
Microsoft Inc.

Email: jefftant.ietf@gmail.com