

TRILL Working Group
INTERNET-DRAFT
Intended Status: Standard Track

W. Hao
Y. Li
Huawei Technologies
M. Durrani
Cisco
S. Gupta
IP Infusion
A. Qu
MediaTec
T. Han
Huawei Technologies
November 09, 2015

Expires: July 2016

Centralized Replication for BUM traffic in active-active edge
connection

draft-ietf-trill-centralized-replication-03.txt

Abstract

In TRILL active-active access scenario, RPF check failure issue may occur when pseudo-nickname mechanism in [TRILLPN] is used. This draft describes a solution to resolve the RPF check failure issue through centralized replication. The solution has all ingress RBs send BUM(Broadcast, Unknown unicast, Multicast) traffic to a centralized node via unicast TRILL encapsulation. When the centralized node receives the BUM traffic, it decapsulates the traffic and forwards the BUM traffic to all destination RBs using a distribution tree established via the TRILL base protocol. To avoid RPF check failure on a RBridge sitting between the ingress RBridge and the centralized replication node, some change of RPF calculation algorithm is required. RPF calculation on each RBridge should use the centralized node as ingress RB instead of the real ingress RBridge of RBv to perform the calculation.

Status of this Memo

This Internet-Draft is submitted to IETF in full conformance with the provisions of [BCP 78](#) and [BCP 79](#).

Internet-Drafts are working documents of the Internet Engineering Task Force (IETF), its areas, and its working groups. Note that other groups may also distribute working documents as Internet-Drafts.

Internet-Drafts are draft documents valid for a maximum of six months and may be updated, replaced, or obsoleted by other documents at any time. It is inappropriate to use Internet-Drafts as reference material or to cite them other than as "work in progress."

The list of current Internet-Drafts can be accessed at <http://www.ietf.org/lid-abstracts.html>

The list of Internet-Draft Shadow Directories can be accessed at <http://www.ietf.org/shadow.html>.

Copyright Notice

Copyright (c) 2015 IETF Trust and the persons identified as the document authors. All rights reserved.

This document is subject to [BCP 78](#) and the IETF Trust's Legal Provisions Relating to IETF Documents (<http://trustee.ietf.org/license-info>) in effect on the date of publication of this document. Please review these documents carefully, as they describe your rights and restrictions with respect to this document. Code Components extracted from this document must include Simplified BSD License text as described in Section 4.e of the [Trust Legal Provisions](#) and are provided without warranty as described in the Simplified BSD License.

Table of Contents

1.	Introduction	3
2.	Conventions used in this document	4
3.	Centralized Replication Solution Overview	4
4.	Frame duplication from remote RB	5
5.	Local forwarding behavior on ingress RBridge	6
6.	Loop prevention among RBridges in a edge group	7

[8](#). BUM traffic loadbalancing among multiple centralized nodes.... [9](#)
[9](#). Co-existing with CMT solution [10](#)
[10](#). Network Migration Analysis [11](#)
[11](#). TRILL protocol extension [11](#)
 [11.1](#). "R" and "C" Flag in Nickname Flags APPsub-TLV..... [11](#)
[12](#). Security Considerations [12](#)
[13](#). IANA Considerations [12](#)
[14](#). References [12](#)
 [14.1](#). Normative References [12](#)
 [14.2](#). Informative References [12](#)
[15](#). Acknowledgments [13](#)

[1](#). Introduction

The IETF TRILL (Transparent Interconnection of Lots of Links) [[RFC6325](#)] protocol provides loop free and per hop based multipath data forwarding with minimum configuration. TRILL uses IS-IS [[RFC6165](#)] [[RFC6326bis](#)] as its control plane routing protocol and defines a TRILL specific header for user data.

Classic Ethernet device (CE) devices typically are multi-homed to multiple edge R Bridges which form an edge group. All of the uplinks of CE are bundled as a Multi-Chassis Link Aggregation (MC-LAG). An active-active flow-based load sharing mechanism is normally implemented to achieve better load balancing and high reliability. A CE device can be a layer 3 end system by itself or a bridge switch through which layer 3 end systems access to TRILL campus.

In active-active access scenario, pseudo-nickname solution in [TRILLPN] can be used to avoid MAC flip-flop on remote RBs. The basic idea is to use a virtual R Bridge of RBv with a single pseudo-nickname to represent an edge group that MC-LAG connects to. Any member R Bridge of that edge group should use this pseudo-nickname rather than its own nickname as ingress nickname when it injects TRILL data frames to TRILL campus. The use of the nickname solves the address flip flop issue by making the MAC address learnt by the remote R Bridge bound to pseudo-nickname. However, it introduces another issue of incorrect packet drop which will be described as follows. When a pseudo-nickname is used by an edge R Bridge as the ingress nickname to forward BUM traffic, any R Bridges sitting between the ingress RB and the distribution tree root will treat the

traffic as it is ingressed from the virtual RBridge RBv. If same distribution tree is used by these different edge RBridges, the traffic may arrive at RBn from different ports. Then the RPF check fails, and some of the traffic receiving from unexpected ports will be dropped by RBn.

Internet-Draft Centralized replication for BUM traffic November 2015

This document proposes a centralized replication solution for broadcast, unknown unicast, multicast(BUM) traffic forwarding to resolve the issue of incorrect packet drop incurred by RPF check failure. The basic idea is that all ingress RBs send BUM traffic to a centralized node which is recommended to be a distribution tree root using unicast TRILL encapsulation. When the centralized node receives that traffic, it decapsulates it and then forwards the BUM traffic to all destination RBs using a distribution tree established per TRILL base protocol.

2. Conventions used in this document

The key words "MUST", "MUST NOT", "REQUIRED", "SHALL", "SHALL NOT", "SHOULD", "SHOULD NOT", "RECOMMENDED", "MAY", and "OPTIONAL" in this document are to be interpreted as described in [RFC-2119](#) [[RFC2119](#)].The acronyms and terminology in [[RFC6325](#)] is used herein with the following additions:

BUM - Broadcast, Unknown unicast, and Multicast

CE - As in [CMT], Classic Ethernet device (end station or bridge).

The device can be either physical or virtual equipment.

3. Centralized Replication Solution Overview

When an edge RB receives BUM traffic from a CE device, it acts as ingress RB and uses unicast TRILL encapsulation instead of multicast TRILL encapsulation to send the traffic to a centralized node. The centralized node is recommended to be a distribution tree root.

The TRILL header of the unicast TRILL encapsulation contains an "ingress RBridge nickname" field and an "egress RBridge nickname" field. If ingress RB receives the traffic from the port which is in

a MC-LAG, it should set the ingress RBridge nickname to be the pseudo-nickname rather than its own nickname to avoid MAC flip-flop on remote RBs as per [TRILLPN]. The egress RBridge nickname is set to the special nickname of the centralized node which is used to differentiate the centralized replication purpose unicast TRILL encapsulation from normal unicast TRILL encapsulation. The special nickname is called R-nickname.

When the centralized node receives the unicast TRILL encapsulated BUM traffic from ingress RB, the node decapsulates the packet. Then the centralized node replicates and forwards the BUM traffic to all

destination RBs using one of the distribution trees established per TRILL base protocol, if the centralized node is the root of a distribution tree, the recommended distribution tree is the tree whose root is the centralized node itself. When the centralized node forwards the BUM traffic, ingress nickname remains unchanged as that in frame it received to ensure that the MAC address learnt by all egress RBridges bound to pseudo-nickname.

When the replicated traffic is forwarded on each RBridge along the distribution tree starting from the centralized node, RPF check will be performed as per [RFC6325](#). For any RBridge sitting between the ingress RBridge and the centralized replication node, the traffic incoming port should be the centralized node facing port as the multicast traffic always comes from the centralized node in this solution. However the RPF port as result of distribution tree calculation as per [RFC 6325](#) will be the real ingress RB facing port as it uses virtual RBridge as ingress RB, so RPF check will fail. To solve this problem, some change of RPF calculation algorithm is required. RPF calculation on each RBridge should use the centralized node as ingress RB instead of the real ingress virtual RBridge to perform the calculation. As a result, RPF check will point to the centralized node facing port on the RBridge for multi-destination traffic. It prevents the incorrect frame discard by RPF check.

To differentiate the centralized purpose unicast TRILL encapsulation from normal unicast TRILL encapsulation on a centralized node, besides the centralized node's own nickname, R-nickname should be introduced for centralized replication. Only when the centralized node receives unicast TRILL encapsulation traffic with egress nickname equivalent to the R-nickname, the node does unicast TRILL decapsulation and then forwards the traffic to all destination RBs

through a distribution tree. The centralized nodes should announce its R-nickname to all TRILL campus through TRILL LSP extension.

4. Frame duplication from remote RB

Frame duplication may occur when a remote host sends multi-destination frame to a local CE which has an active-active connection to the TRILL campus. To avoid local CE receiving multiple copies from a remote RBridge, the designated forwarder (DF) mechanism should be supported for egress direction multicast traffic.

DF election mechanism allows only one port in one RB of MC-LAG to forward multicast traffic from TRILL campus to local access side for each VLAN. The basic idea of DF is to elect one RBridge per VLAN from an edge group to be responsible for egressing the multicast

traffic. [TRILLPN] describes the detail DF election mechanism among member RBridges involving in a MC-LAG.

If DF election mechanism is used for frame duplication prevention, access ports on an RB are categorized as three types: non mc-lag, mc-lag DF port and mc-lag non-DF port. The last two types can be called mc-lag port. For each of the mc-lag port, there is a pseudo-nickname associated. If consistent nickname allocation per edge group RBridges is used, it is possible that same pseudo-nickname associated to more than one port on a single RB. A typical scenario is that CE1 is connected to RB1 & RB2 by mc-lag1 while CE2 is connected to RB1 & RB2 by mc-lag 2. In order to conserve the number of pseudo-nickname used, member ports for both mc-lag1 and mc-lag2 on RB1 & RB2 are all associated to pseudo-nickname pn1.

5. Local forwarding behavior on ingress RBridge

When an ingress RBridge(RB1) receives BUM traffic from a local active-active accessing CE(CE1) device, the traffic will be injected to TRILL campus through TRILL encapsulation, and it will be replicated and forwarded to all destination RBs which include ingress RB itself along a TRILL distribution tree, the traffic will also return to the ingress RBridge. To avoid the traffic looping back to original sender CE, ingress nickname of pseudo-nickname can be used for traffic filtering.

If there are two CEs of CE1 and CE2 connecting to the ingress RB1 associated with same pseudo-nickname, CE1 needs to locally replicates and forwards to CE2, because another copy of the BUM traffic between CE1 and CE2 through TRILL campus will be blocked by the traffic filtering.

If CE1 and CE2 are not associated with same pseudo-nickname, the copy of the BUM traffic between CE1 and CE2 through TRILL campus won't be blocked by the traffic filtering. To avoid duplicated traffic on receiver CE, the local replicated BUM traffic between these two CEs on ingress RB1 should be blocked.

In summary, to ensure correct BUM traffic forwarding behavior for each CE, local replication behavior on ingress RBridge should be carefully designed as follows:

1. Local replication to the ports associated with the same pseudo-nickname as that associated to the incoming port.
2. Do not replicate to mc-lag port associated with different pseudo-nickname.

3. Do not replicate to non mc-lag ports.

The above local forwarding behavior on the ingress RB of RB1 can be called centralized local forwarding behavior A.

If ingress RB of RB1 itself is the centralized node, BUM traffic injected to TRILL campus won't loop back to RB1. In this case, the local forwarding behavior is called centralized local forwarding behavior B. The local replication behavior on RB1 is as follows:

1. Local replication to the ports associated with the same pseudo-nickname as that associated to the incoming port.
2. Local replication to the mc-lag DF port associated with different pseudo-nickname. Do not replicate to mc-lag non-DF port associated with different pseudo-nickname.
3. Local replication to non mc-lag ports.

- [6](#). Loop prevention among RBridges in a edge group

If a CE sends a broadcast, unknown unicast, or multicast (BUM) packet through DF port to a ingress RB, it will forward that packet to all or subset of the other RBs that only have non-DF ports for that MC-LAG. Because BUM traffic forwarding to non-DF port isn't allowed, in this case the frame won't loop back to the CE.

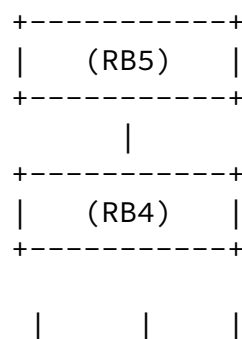
If a CE sends a BUM packet through non-DF port to a ingress RB, say RB1, then RB1 will forward that packet to other RBridges that have DF port for that MC-LAG. In this case the frame will loop back to the CE and traffic split-horizon filtering mechanism should be used to avoid looping back among RBridges in a edge group.

Split-horizon mechanism relies on ingress nickname to check if a packet's egress port belongs to a same MC-LAG with the packet's incoming port to TRILL campus.

When the ingress RBridge receives BUM traffic from an active-active accessing CE device, the traffic will be injected to TRILL campus through TRILL encapsulation, and it will be replicated and forwarded to all destination RBs which include ingress RB itself through TRILL distribution tree. If same pseudo-nickname is used for two active-active access CEs as ingress nickname, egress RB can use the nickname to filter traffic forwarding to all local CE. In this case, the traffic between these two CEs goes through local RB and another copy of the traffic from TRILL campus is filtered. If different ingress nickname is used for two connecting CE devices, the access

ports connecting to these two CEs should be isolated with each other. The BUM traffic between these two CEs should go through TRILL campus, otherwise the destination CE connected to same RB with the sender CE will receive two copies of the traffic.

7. Centralized replication forwarding process



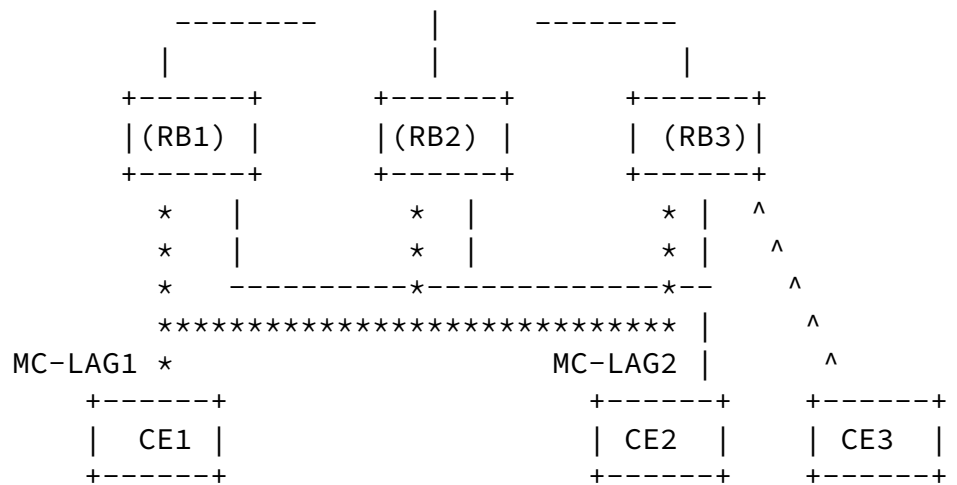


Figure 1 TRILL Active-active access

Assuming the centralized replication solution is used in the network of above figure 1, RB5 is the distribution tree root and centralized replication node, CE1 and CE2 are active-active accessed to RB1, RB2 and RB3 through MC-LAG1 and MC-LAG2 respectively, CE3 is single homed to RB3. The RBridge's own nickname of RB1 to RB5 are nick1 to nick5 respectively. RB1, RB2 and RB3 use same pseudo-nickname for MC-LAG1 and MC-LAG2, the pseudo-nickname is P-nick. The R-nickname on the centralized replication node of RB5 is S-nick.

The BUM traffic forwarding process from CE1 to CE2, CE3 is as follows:

1. CE1 sends BUM traffic to RB3.

2. RB3 replicates and sends the BUM traffic to CE2 locally. RB2 also sends the traffic to RB5 through unicast TRILL encapsulation. Ingress nickname is set as P-nick, egress nickname is set as S-nick.
3. RB5 decapsulates the unicast TRILL packet. Then it uses the distribution tree whose root is RB5 to forward the packet. The egress nickname in the trill header is the nick5. Ingress nickname is still P-nick.
4. RB4 receives multicast TRILL traffic from RB5. Traffic incoming

port is the up port facing to distribution tree root, RPF check will be correct based on the changed RPF port calculation algorithm in this document. After RPF check is performed, it forwards the traffic to all other egress RBs(RB1,RB2 and RB3).

5. RB3 receives multicast TRILL traffic from RB4. It decapsulates the multicast TRILL packet. Because ingress nickname of P-nick is equivalent to the nickname of local MC-LAGs connecting CE1 and CE2, it doesn't forward the traffic to CE1 and CE2 to avoid duplicated frame. RB3 only forwards the packet to CE3.
6. RB1 and RB2 receive multicast TRILL traffic from RB4. The forwarding process is similar to the process on RB3, i.e, because ingress nickname of P-nick is equivalent to the nickname of local MC-LAGs connecting CE1 and CE2, they also don't forward the traffic to local CE1 and CE2.

8. BUM traffic loadbalancing among multiple centralized nodes

To support unicast TRILL encapsulation BUM traffic load balancing, multiple centralized replication node can be deployed and the traffic can be load balanced on these nodes in vlan-based.

Assuming there are k centralized nodes in TRILL campus, each centralized node has different R-nickname, VLAN-based(or FGL-based) loadbalancing algorithm used by ingress active-active access RBridge is as follows:

1. All R-nicknames are ordered and numbered from 0 to k-1 in ascending order.
2. For VLAN ID m, choose the R-nickname whose number equals (m mod k) as egress nickname for BUM traffic unicast TRILL encapsulation.

For examples, there are 3 centralized nodes (CN) which has one R-nickname respectively, the CN nodes will be ordered based on the ordering algorithm for each R-nickname from CN0 to CN2. Assuming there are 5 VLANs from 1 to 5 spreading among edge RBridges, the traffic in VLAN 1 will go to CN1, VLAN 2 will go to CN2, and so on.

When an ingress RBridge participating active-active connection receives BUM traffic from local CE, the RB decides to send the traffic to which centralized node based on the VLAN-based loadbalancing algorithm, vlan-based loadbalancing for the BUM traffic can be achieved among multiple centralized nodes.

9. Co-existing with CMT solution

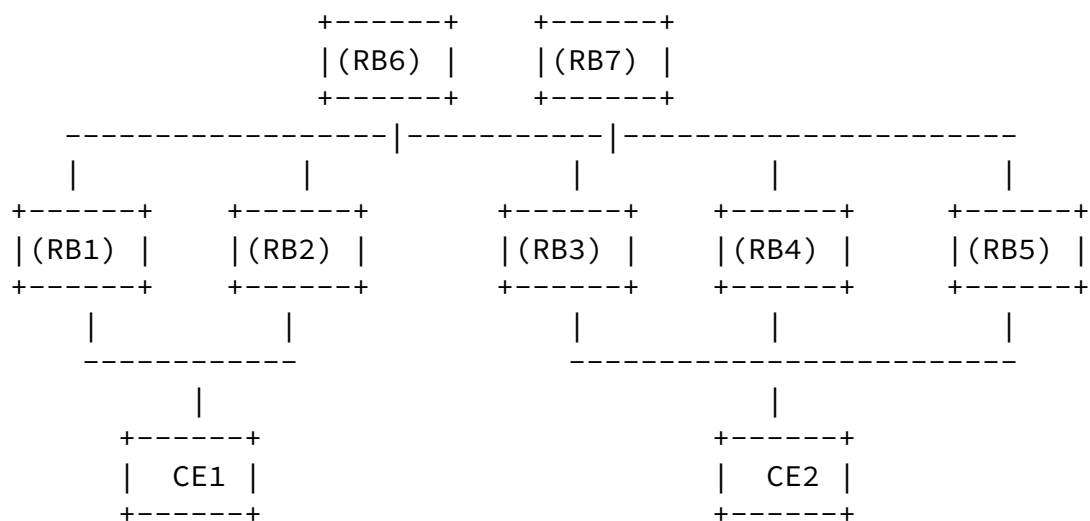


Figure 2 CMT and centralized replication co-existing scenario

Both the centralized replication solution and CMT solution rely on pseudo-nickname concept to avoid MAC flip-flop on remote RBRidges, these two solutions can co-exist in single TRILL network. Each solution can be selected by each edge group RBRidges independently. As illustrated in figure 2, RB1 and RB2 use CMT for CE1's active-active access, RB3, RB4 and RB5 use the centralized replication for CE2's active-active access.

For the centralized replication solution, edge group RBRidges should announce local pseudo-nickname using Nickname Flags APPsub-TLV with C-flag, the nickname with C-flag is called "C-nickname". A transit RBridge will perform the centralized replication specific RPF check algorithm if it receives TRILL encapsulation traffic with C-nickname as ingress nickname.

10. Network Migration Analysis

Centralized nodes need software and hardware upgrade to support centralized replication process, which stitches TRILL unicast traffic decapsulation process and the process of normal TRILL multicast traffic forwarding along distribution tree.

Active-active connection edge RBs need software and hardware upgrade to support unicast TRILL encapsulation for BUM traffic, the process is similar to normal head-end replication process.

Transit nodes need software upgrade to support RPF port calculation algorithm change.

11. TRILL protocol extension

Two Flags of "R" and "C" in Nickname Flags APPsub-TLV [RFC7180bis] are introduced, the nickname with "R" flag is called R-nickname, the nickname with "C" flag is called C-nickname. R-nickname is a specialized nickname attached on a centralized node to differentiate unicast TRILL encapsulation BUM traffic from normal unicast TRILL traffic. C-nickname is set on each edge group RBridge, C-nickname is a specialized pseudo-nickname for transit RBridges to perform different RPF check algorithm.

When active-active edge RBridges use centralized replication to forward BUM traffic, the R-nickname is used as the egress nickname and the C-nickname is used as ingress nickname in TRILL header for unicast TRILL encapsulation of BUM traffic.

11.1. "R" and "C" Flag in Nickname Flags APPsub-TLV

```

+---+---+---+---+---+---+---+---+---+---+---+---+---+---+---+
|   Nickname                                     |
+---+---+---+---+---+---+---+---+---+---+---+---+---+---+---+
|IN|SE|R | C|   RESV                             |
+---+---+---+---+---+---+---+---+---+---+---+---+---+---+---+
                                NICKFLAG RECORD

```

o R. If R flag is one, it indicates that the advertising TRILL switch is a centralized replication node, and the nickname is used as egress nickname for edge group RBridges to inject traffic to TRILL campus when the edge group RBridges use centralized replication solution for active-active access. If flag is zero, that nickname will not be used for that purpose.

o C. If C flag is one, it indicates that the TRILL traffic with this nickname as ingress nickname requires special RPF check algorithm. If flag is zero, that nickname will not be used for that purpose.

12. Security Considerations

This draft does not introduce any extra security risks. For general TRILL Security Considerations, see [[RFC6325](#)].

13. IANA Considerations

This document requires no IANA Actions. RFC Editor: Please remove this section before publication.

14. References

14.1. Normative References

- [1] [[RFC6165](#)] Banerjee, A. and D. Ward, "Extensions to IS-IS for Layer-2 Systems", [RFC 6165](#), April 2011.
- [2] [[RFC6325](#)] Perlman, R., et.al. "RBridge: Base Protocol Specification", [RFC 6325](#), July 2011.
- [3] [RFC6326bis] Eastlake, D., Banerjee, A., Dutt, D., Perlman, R., and A. Ghanwani, "TRILL Use of IS-IS", [draft-eastlake-isis-rfc6326bis](#), work in progress.
- [4] [RFC7180bis] Eastlake, D., Zhang, M., Perlman, R., Banerjee, A. Ghanwani and Gupta.S, "TRILL: Clarifications, Corrections, and Updates", [draft-ietf-trill-rfc7180bis-00](#), work in progress.

14.2. Informative References

- [1] [TRILLPN] Zhai,H., et.al., "RBridge: Pseudonode nickname", [draft-hu-trill-pseudonode-nickname-07](#), Work in progress, November 2011.
- [2] [TRILAA] Li,Y., et.al., " Problem Statement and Goals for Active-Active TRILL Edge", [draft-ietf-trill-active-active-connection-prob-00](#), Work in progress, July 2013.
- [3] [CMT] Senevirathne, T., Pathangi, J., and J. Hudson, "Coordinated Multicast Trees (CMT)for TRILL", [draft-ietf-trill-cmt-00.txt](#) Work in Progress, April 2012.

Internet-Draft Centralized replication for BUM traffic November 2015

15. Acknowledgments

The authors wish to acknowledge the important contributions of Russ White, Donald Eastlake, Hongjun Zhai, Xiaomin Wu, Liang Xia.

Authors' Addresses

Weiguo Hao
Huawei Technologies
101 Software Avenue,
Nanjing 210012
China
Email: haoweiguo@huawei.com

Yizhou Li
Huawei Technologies
101 Software Avenue,
Nanjing 210012
China
Email: liyizhou@huawei.com

Muhammad Durrani
Cisco
Email: mdurrani@cisco.com

Sujay Gupta
IP Infusion
RMZ Centennial
Mahadevapura Post
Bangalore - 560048
India
Email: sujay.gupta@ipinfusion.com

Andrew Qu
MediaTec
Email: laodulaodu@gmail.com

Tao Han
Huawei Technologies
101 Software Avenue,
Nanjing 210012
China

Email: billow.han@huawei.com

Hao & Li,etc

Expires July 09, 2016

[Page 13]