

6tisch  
Internet-Draft  
Intended status: Standards Track  
Expires: April 30, 2018

S. Anamalamudi  
Huaiyin Institute of Technology  
B. Liu  
M. Zhang  
Huawei Technologies  
AR. Sangi  
Huaiyin Institute of Technology  
C. Perkins  
Futurewei  
S.V.R.Anand  
Indian Institute of Science  
October 27, 2017

**Scheduling Function One (SF1): hop-by-hop Scheduling with RSVP-TE in  
6tisch Networks  
draft-satish-6tisch-6top-sf1-04**

Abstract

This document defines a 6top Scheduling Function called "Scheduling Function One" (SF1) to reserve, label and schedule the end-to-end resources hop-by-hop through the Resource ReserVation Protocol - Traffic Engineering (RSVP-TE). SF1 uses the 6P signaling messages with a global TrackID to add or delete the cells in L2-bundles of isolated traffic flows.

Status of This Memo

This Internet-Draft is submitted in full conformance with the provisions of [BCP 78](#) and [BCP 79](#).

Internet-Drafts are working documents of the Internet Engineering Task Force (IETF). Note that other groups may also distribute working documents as Internet-Drafts. The list of current Internet-Drafts is at <https://datatracker.ietf.org/drafts/current/>.

Internet-Drafts are draft documents valid for a maximum of six months and may be updated, replaced, or obsoleted by other documents at any time. It is inappropriate to use Internet-Drafts as reference material or to cite them other than as "work in progress."

This Internet-Draft will expire on April 30, 2018.

Copyright Notice

Copyright (c) 2017 IETF Trust and the persons identified as the document authors. All rights reserved.

This document is subject to [BCP 78](#) and the IETF Trust's Legal Provisions Relating to IETF Documents (<https://trustee.ietf.org/license-info>) in effect on the date of publication of this document. Please review these documents carefully, as they describe your rights and restrictions with respect to this document. Code Components extracted from this document must include Simplified BSD License text as described in Section 4.e of the Trust Legal Provisions and are provided without warranty as described in the Simplified BSD License.

Table of Contents

- [1.](#) Introduction . . . . . [2](#)
- [2.](#) Operation of Scheduling Function One (SF1) . . . . . [4](#)
  - [2.1.](#) End-to-end Operation . . . . . [4](#)
  - [2.2.](#) One-hop Operation . . . . . [6](#)
    - [2.2.1.](#) 3-step transaction . . . . . [6](#)
    - [2.2.2.](#) 2-step transaction . . . . . [7](#)
  - [2.3.](#) Reroute and Bandwidth Increase mechanism . . . . . [8](#)
  - [2.4.](#) Error Codes . . . . . [8](#)
- [3.](#) Message Format . . . . . [8](#)
  - [3.1.](#) RSVP-PATH message . . . . . [9](#)
  - [3.2.](#) RSVP-RESV message . . . . . [10](#)
- [4.](#) Scheduling Function Identifier . . . . . [11](#)
- [5.](#) IANA Considerations . . . . . [11](#)
- [6.](#) Security Considerations . . . . . [11](#)
- [7.](#) References . . . . . [11](#)
  - [7.1.](#) References . . . . . [11](#)
  - [7.2.](#) Informative References . . . . . [12](#)
- Authors' Addresses . . . . . [12](#)

**[1.](#) Introduction**

Scheduling Function Zero (SF0) [[I-D.ietf-6tisch-6top-sf0](#)] enables on-the-fly cell scheduling (ADD/DELETE) between one-hop neighbors for aggregated (best-effort) traffic flows. In other words, all the instances from nodeA to nodeB in Figure 1 are scheduled in a single L3-bundle (IP link).



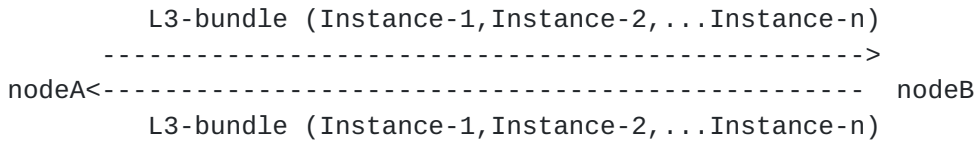


Figure 1: L3-bundle for aggregated traffic flows over one-hop with SF0.

Some applications (e.g. Industrial M2M) require end-to-end dedicated L2-bundles to support control/data streams for time-critical applications [[I-D.ietf-detnet-use-cases](#)]. For such applications, the sender can reserve a dedicated track to the receiver for each isolated instance. A track is actually a succession of paired L2-bundles (a receive bundle at the downstream node and a transmit bundle at the upstream node), which is identified by a global TrackID. Per-instance L2-bundles need to be scheduled hop-by-hop in between sender and receiver [[I-D.ietf-6tisch-architecture](#)]. In addition, cells in the scheduled end-to-end track of each instance may have to be dynamically adapted for bursty time-critical traffic flows. With one-hop based SF0 cell scheduling, it is difficult to schedule dedicated end-to-end cells for isolated traffic flows. Moreover, global bandwidth estimation through Resource Reservation protocol is required for bandwidth allocation in multi-hop cell scheduling. This draft specifies a Scheduling Function One (SF1) to schedule end-to-end dedicated L2-bundles for each instance, and to dynamically adapt the cells in already scheduled L2-bundles through RSVP-TE (see Figure 2).

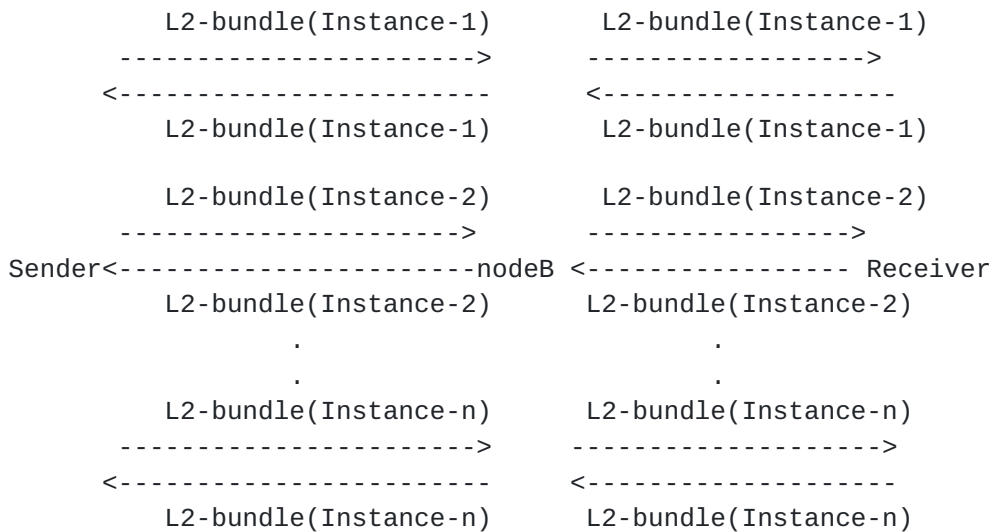


Figure 2: Dedicated L2-bundles for end-to-end isolated traffic flows with SF1



**2. Operation of Scheduling Function One (SF1)**

SF1 is a combination of RSVP-TE and 6P (the 6top protocol [[I-D.ietf-6tisch-6top-protocol](#)]). According to the bandwidth and QoS requirements of traffic flows, SF1 can schedule, reserve and label L2-bundles of cells at each hop, build up an end-to-end track identified by a global TrackID, and dynamically adapt the cells in an existing track.

Using SF1, the Sender determines when to reserve end-to-end resources. The following events may trigger the use of SF1:

- o The Sender has an outgoing bandwidth requirement for a new instance to transmit data to Receiver.
- o The Sender has a new outgoing bandwidth requirement for an existing instance to transmit data to Receiver.

In both cases, distributed RSVP-TE is used to provide end-to-end resource reservations along with scheduling operations. The outcome of RSVP-TE is a label switching path (LSP) [[RFC3209](#)]. In the context of this draft, a track is actually an LSP, in which the label at each hop is associated to the reserved cells. And the TrackID is equivalent to the LSP\_ID.

**2.1. End-to-end Operation**

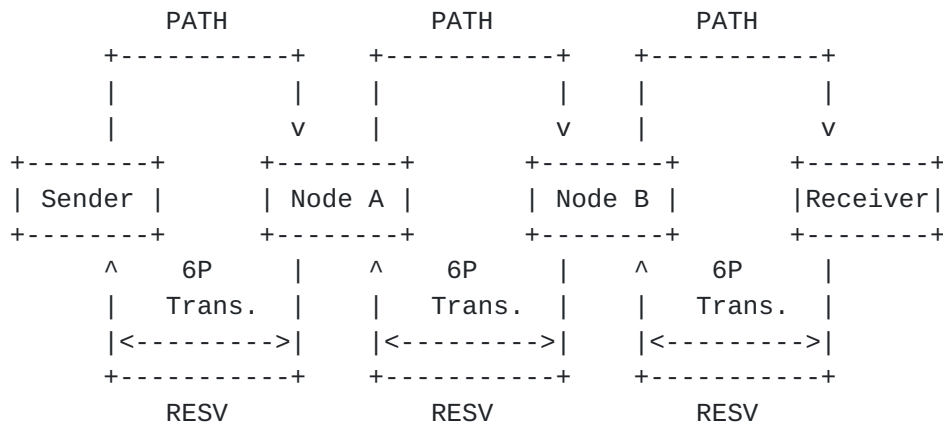


Figure 3: End-to-end Operation in SF1



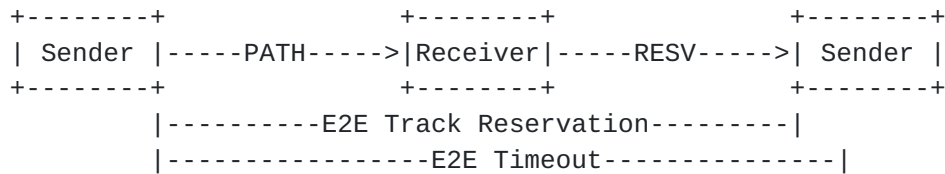


Figure 4: End-to-end timeout in SF1

It is assumed that an end-to-end route path is already available, for instance by using AODV-RPL [[I-D.ietf-roll-aodv-rpl](#)] routing. To initiate the track reservation, the sender sends the RSVP-PATH message to the receiver along the route. The PATH message describes the characteristics of the traffic flow and gathers information along the route to help the receiver(s) construct an appropriate reservation request [[RFC2205](#)]. Upon arrival of the PATH message, the receiver sends an RSVP-RESV message upstream to the sender. At each hop, the cells to be reserved are negotiated between 2 neighbors with the help of 6P transactions. If one-hop reservation succeeds, the downstream node assigns a label, which is associated to the selected cells, to the upstream node. And the label is also associated to the track whose TrackID is encapsulated in the FILTER\_SPEC of the RESV message. If one-hop reservation fails at an intermediate node, the node SHOULD send a ResvErr message to the receiver and all the nodes along the downstream route to tear down the reserved resources. When the RESV message arrives at the sender before the end-to-end timeout, an end-to-end track is built successfully. If no RESV message is received at the sender when timeout, the track reservation fails.

The end-to-end data transmission is achieved through Track Forwarding [[I-D.ietf-6tisch-architecture](#)] that can be seen as a G-MPLS operation in which the explicit label at each hop is associated to an implicit label, i.e., the reserved cells. When transmitting data, the sender identifies the track to be used based on Sender and Receiver IP addresses and RPLInstanceID of the packet. At each hop, the packet is transmitted using the reserved L2-bundle of cells on this track.









transaction, the "CellList" field in the 6P request SHOULD be empty. The timeout for the 6P transaction is as defined in [\[I-D.ietf-6tisch-6top-protocol\]](#). Node A checks the associated slotframe and proposes a candidate CellList. Then a 6P Response message is sent back to Node B. If Node B is able to select expected number of cells in this candidate CellList, it sends an RESV message to Node A, in which the 6P Confirmation message indicating the selected cells is encapsulated as the 6P OPERATION object, and the label is assigned as defined in [Section 3.2](#). Otherwise, the Node B can choose to initiate another 6P transaction on another slotframe which can fulfill the QoS requirement. If all the 6P transactions fail, Node B SHOULD send a ResvErr message all the way to the receiver to tear down all the reserved resources. When the RESV message arrives at Node A, the L2-bundle between Node A and Node B is installed.

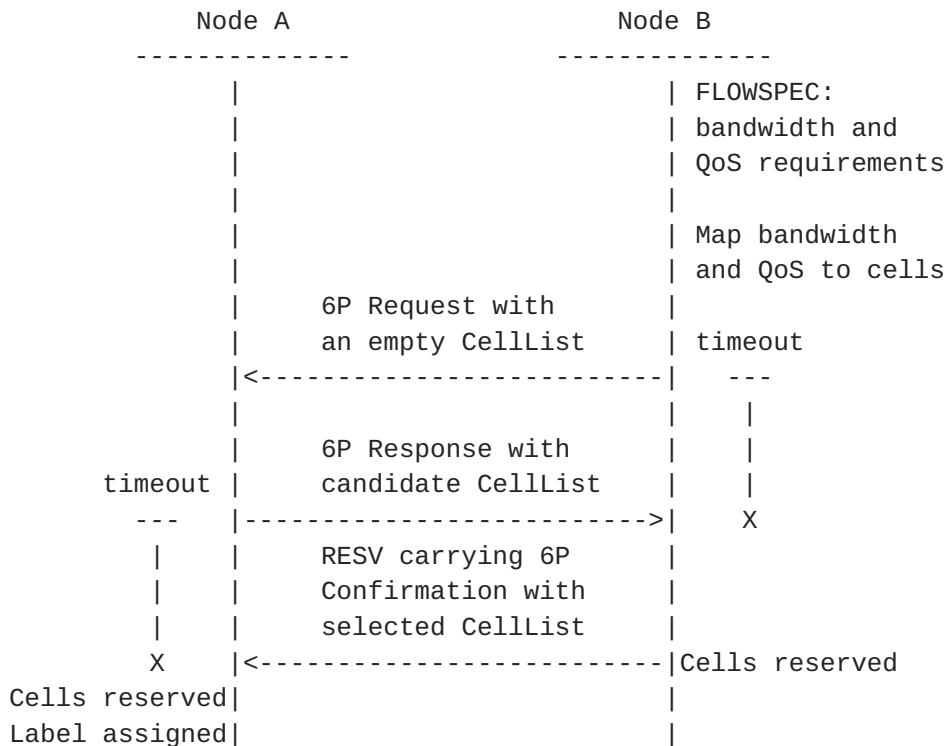


Figure 6: Operation of RESV message with 3-step transaction.

**[2.2.2. 2-step transaction](#)**

As illustrated in Figure 7, Node B SHOULD provide a candidate CellList which can fulfill the requirements in the 6P Request message, then Node A sends back the 6P Response message with a selected CellList. If the number of cells in the selected CellList is what Node B expects, Node B sends an RESV message to Node A including an assigned label and without the 6P OPERATION object. The



error handling mechanism is the same as in the 3-step transaction fashion.

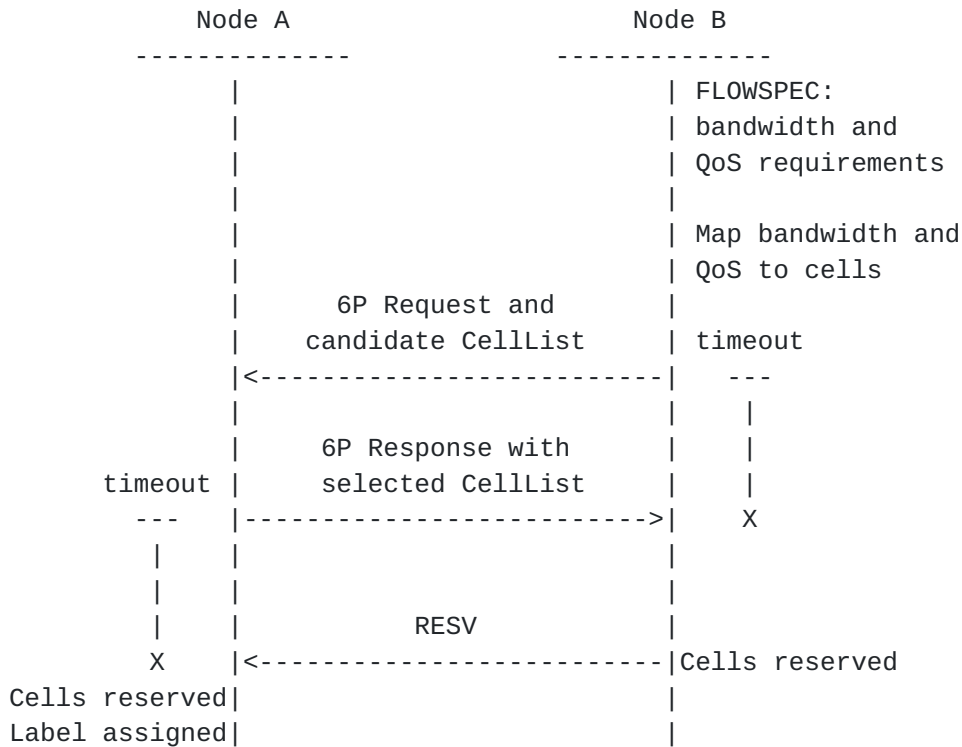


Figure 7: Operation of RESV message with 2-step transaction.

**2.3. Reroute and Bandwidth Increase mechanism**

Whenever the sender needs to establish a new tunnel that can maintain resource reservations without double counting (at any particular intermediate node) the resources with an existing tunnel, then the "RSVP reroute mechanism" is initiated [[RFC3209](#)]. With this operation, bandwidth can be increased or decreased end-to-end in the tunnel. The detailed explanation of the reroute mechanism is explained in [[RFC3209](#)].

**2.4. Error Codes**

The detailed explanation of PathErr and ResvErr with different ERROR\_SPEC to handle Scheduling and 6P operation errors will be described in later specification.

**3. Message Format**









1. LSP Encoding Type (8 bits): Indicates the encoding of the LSP being requested.

```

+-----+-----+
| Value | Type |
+-----+-----+
| TBD | Timeslot |
+-----+-----+
    
```

2. Switching Type (8 bits): Indicates the type of switching that should be performed on a particular link.

```

+-----+-----+
| Value | Type |
+-----+-----+
| 100 | Time-Division-Multiplex (TDM) Capable |
+-----+-----+
    
```

3. G-PID (8 bits): An identifier of the payload carried by an LSP, i.e., an identifier of the client layer of that LSP.

```

+-----+-----+-----+
| Value | Type | Technology |
+-----+-----+-----+
| TBD | Wireless PAN (802.15.4) | TSCH |
+-----+-----+-----+
    
```

"SF1 OPERATION REQUEST" and "6P OPERATION REQUEST" are added in the PATH message to check for 6tisch scheduling capabilities within the intermediate nodes from sender to receiver. The "Timeslot Switching Capability" (TSC) is used as an implicit label to switch the cell at intermediate nodes [[RFC3473](#)]. "LABEL\_REQUEST" in path message should be set to "Timeslot Switching Capability". If an intermediate node does not support the TSC or "6P transactions" or "SF1 operation" then it MUST send a "PathErr" message back to application. At the sender, the combination of sender and receiver IP addresses and the RPLInstanceID is mapped to a 16-bit identifier. The sender uses this identifier as the Track ID, and encapsulates it in the SENDER\_TEMPLATE.

### 3.2. RSVP-RESV message

The basic RSVP-RESV messages [[RFC2205](#)] are transmitted upstream from receiver to sender to provide resource reservation as well as label distribution. In this specification, hop-by-hop scheduling is extended to support both resource reservation and label distribution. The current specification is only defined for unicast point-to-point traffic flows, i.e., Fixed Filter (FF) reservation style.



The format of the RESV message that supports 6tisch scheduling capabilities (6P and SF1) is as follows:

```

<Resv Message> ::= <Common Header> [ <INTEGRITY> ]
                [ [ <MESSAGE_ID_ACK> | <MESSAGE_ID_NACK> ] ... ]
                [ <MESSAGE_ID> ]
                <SESSION> <RSVP_HOP>
                <TIME_VALUES>
                [ <6P OPERATION> ]
                [ <RESV_CONFIRM> ] [ <SCOPE> ]
                [ <NOTIFY_REQUEST> ]
                [ <ADMIN_STATUS> ]
                [ <POLICY_DATA> ... ]
                <STYLE> <flow descriptor list>

<flow descriptor list> ::= <FF flow descriptor>
<FF flow descriptor> ::= [ <FLOWSPEC> ] <FILTER_SPEC> <LABEL>
[ <RECORD_ROUTE> ]

```

The 6P OPERATION object encapsulates the 6P message. The tuple (slotFrame\_ID, CellList) indicating the reserved cells is mapped to a 32-bit unsigned integer, which is used as the label to be assigned to the upstream node. The format of the LABEL object (in the flow descriptor) conforms to the Type 1 Label defined in [[RFC3473](#)].

#### 4. Scheduling Function Identifier

The Scheduling Function Identifier (SFID) of SF1 is IANA\_SFID\_SF1(TBD).

#### 5. IANA Considerations

IANA is requested to allocate a new Scheduling Function (IANA\_SFID\_SF1) from the SF space of Scheduling Functions defined in [[I-D.ietf-6tisch-6top-sf0](#)]

#### 6. Security Considerations

TODO

#### 7. References

##### 7.1. References

[I-D.ietf-6tisch-6top-protocol]  
 Wang, Q., Vilajosana, X., and T. Watteyne, "6top Protocol (6P)", [draft-ietf-6tisch-6top-protocol-09](#) (work in progress), October 2017.



- [RFC2205] Braden, R., Ed., Zhang, L., Berson, S., Herzog, S., and S. Jamin, "Resource ReSerVation Protocol (RSVP) -- Version 1 Functional Specification", [RFC 2205](#), DOI 10.17487/RFC2205, September 1997, <<https://www.rfc-editor.org/info/rfc2205>>.
- [RFC3209] Awduche, D., Berger, L., Gan, D., Li, T., Srinivasan, V., and G. Swallow, "RSVP-TE: Extensions to RSVP for LSP Tunnels", [RFC 3209](#), DOI 10.17487/RFC3209, December 2001, <<https://www.rfc-editor.org/info/rfc3209>>.
- [RFC3473] Berger, L., Ed., "Generalized Multi-Protocol Label Switching (GMPLS) Signaling Resource Reservation Protocol-Traffic Engineering (RSVP-TE) Extensions", [RFC 3473](#), DOI 10.17487/RFC3473, January 2003, <<https://www.rfc-editor.org/info/rfc3473>>.

## **7.2. Informative References**

- [I-D.ietf-6tisch-6top-sf0]  
Dujovne, D., Grieco, L., Palattella, M., and N. Accettura, "6TiSCH 6top Scheduling Function Zero (SF0)", [draft-ietf-6tisch-6top-sf0-05](#) (work in progress), July 2017.
- [I-D.ietf-6tisch-architecture]  
Thubert, P., "An Architecture for IPv6 over the TSCH mode of IEEE 802.15.4", [draft-ietf-6tisch-architecture-12](#) (work in progress), August 2017.
- [I-D.ietf-detnet-use-cases]  
Grossman, E., Gunther, C., Thubert, P., Wetterwald, P., Raymond, J., Korhonen, J., Kaneko, Y., Das, S., Zha, Y., Varga, B., Farkas, J., Goetz, F., Schmitt, J., Vilajosana, X., Mahmoodi, T., Spirou, S., Vizarrata, P., Huang, D., Geng, X., Dujovne, D., and M. Seewald, "Deterministic Networking Use Cases", [draft-ietf-detnet-use-cases-13](#) (work in progress), September 2017.
- [I-D.ietf-roll-aodv-rpl]  
Anamalamudi, S., Zhang, M., Sangi, A., Perkins, C., and S. Anand, "Asymmetric AODV-P2P-RPL in Low-Power and Lossy Networks (LLNs)", [draft-ietf-roll-aodv-rpl-02](#) (work in progress), September 2017.

Authors' Addresses



Satish Anamalamudi  
Huaiyin Institute of Technology  
No.89 North Beijing Road, Qinghe District  
Huaian 223001  
China

Email: [satishnaidu80@gmail.com](mailto:satishnaidu80@gmail.com)

Bing Liu  
Huawei Technologies  
No. 156 Beiqing Rd. Haidian District  
Beijing 100095  
China

Email: [remy.liubing@huawei.com](mailto:remy.liubing@huawei.com)

Mingui Zhang  
Huawei Technologies  
No. 156 Beiqing Rd. Haidian District  
Beijing 100095  
China

Email: [zhangmingui@huawei.com](mailto:zhangmingui@huawei.com)

Abdur Rashid Sangi  
Huaiyin Institute of Technology  
No.89 North Beijing Road, Qinghe District  
Huaian 223001  
P.R. China

Email: [sangi\\_bahrian@yahoo.com](mailto:sangi_bahrian@yahoo.com)

Charles E. Perkins  
Futurewei  
2330 Central Expressway  
Santa Clara 95050  
Unites States

Email: [charliep@computer.org](mailto:charliep@computer.org)





S.V.R Anand  
Indian Institute of Science  
Bangalore  
560012  
India

Email: [anand@ece.iisc.ernet.in](mailto:anand@ece.iisc.ernet.in)