

Network Working Group
Internet Draft

Expiration Date: January 2005

Naiming Shen
Enke Chen
Albert Tian
Redback Networks

Discovering LDP Next-Nextthop Labels

[<draft-shen-mpls-ldp-nnhop-label-01.txt>](#)

Status of this Memo

By submitting this Internet-Draft, I certify that any applicable patent or other IPR claims of which I am aware have been disclosed, or will be disclosed, and any of which I become aware will be disclosed, in accordance with [RFC 3668](#).

Internet-Drafts are working documents of the Internet Engineering Task Force (IETF), its areas, and its working groups. Note that other groups may also distribute working documents as Internet-Drafts.

Internet-Drafts are draft documents valid for a maximum of six months and may be updated, replaced, or obsoleted by other documents at any time. It is inappropriate to use Internet-Drafts as reference material or to cite them other than as ``work in progress.''

The list of current Internet-Drafts can be accessed at <http://www.ietf.org/ietf/1id-abstracts.txt>

The list of Internet-Draft Shadow Directories can be accessed at <http://www.ietf.org/shadow.html>.

Abstract

This document specifies extensions to LDP in support of next-nextthop

label discovery. The next-nexthop label information can be used to fast re-route LDP LSP traffic into an explicitly routed tunnel for nexthop node protection in the case of a link or node failure.

Conventions used in this document

The key words "MUST", "MUST NOT", "REQUIRED", "SHALL", "SHALL NOT", "SHOULD", "SHOULD NOT", "RECOMMENDED", "MAY", and "OPTIONAL" in this document are to be interpreted as described in [RFC-2119](#) [5].

Shen, Chen, Tian

Expires January 2005

[Page 1]

Internet Draft

LDP Next-Nexthop Label

July 2004

1. Introduction

As currently specified in [1], the LDP protocol only needs to know label mapping for the adjacent peers and there is no way for an LSR to learn the adjacent peer's downstream label mapping. This document proposes an LDP extension that allows an LSR to discover the next-nexthop label mapping from its downstream peers.

One application for learning the next-nexthop label mapping is for fast re-route. Similar to the facility based node-protection of LSP Fast ReRoute [2], the NFRR (Nextthop Fast ReRoute) [3] scheme allows an LSR to perform Fast ReRoute on any type of traffic, including LDP LSP traffic. When the Nextthop Fast ReRoute is used for node-protection of LDP LSP traffic, the next-nexthop labels are needed to tunnel the data traffic into the next-nexthop LSR in the case of a link or node failure.

A new Status TLV code is specified for an LSR to indicate its interest in receiving the next-nexthop label mapping information. A new Next-Nexthop Label TLV is specified to pass the downstream label mapping to the upstream LSR in the Label Mapping Message.

The extension specified in this document assumes the next-next-hop nodes use platform-wide label space for LDP. It is outside the scope of this document when the next-next-hop nodes use per-interface label space.

2. LDP Next-Next-hop Label Mapping Scheme

2.1 Example

Consider LSRs interconnected with LDP as the following:

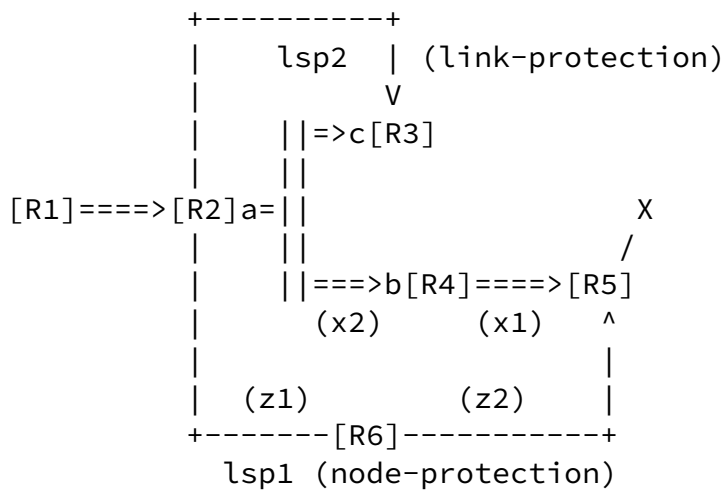


Figure 1: NFRR node-protection for LDP data traffic

R2 is the PLR (Point of Local Repair) node, the lsp1 is the

NFRR [3] LSP for the purpose of protecting node R4 over R2's interface "a". The lsp2 is the NFRR LSP for link protection in the case of interface "a" or "c" is down. We will only be concerned with node-protection using lsp1 in this document.

R5 advertises FEC X to R4 with label x1. R4 advertises the same FECs with label x2 to upstream peer R2. The RSVP signaled lsp1 uses label z1 from R2 to R6 and z2 from R6 to R5, and z2 can also be an implicit null.

When R2 detects either the interface "a" is down, or the nexthop "b" is unreachable, or LSR R4 is down, the forwarding engine on R2 will re-direct the LDP data traffic into the NFRR tunnel lsp1. This can be quickly done by pushing the label x1 onto the label stack and send the packet through the lsp1 for LDP data traffic going to FEC X. As long as the platform-wide label space is used on LSR R5, the R5 does not even know the difference. In this case, the next-nexthop label x1 is used by PLR node R2 for fast re-route with node-protection. For this scheme to work, LSR R4 needs to advertise the next-nexthop label x1 to the upstream LSR R2 in addition to their own label mapping of x2 for the same FEC.

[2.2](#) Next-Nexthop Label Request

Take the same example as in [section 2.1](#), a user can statically configure on LSR R4 that it needs to include downstream labels to all or some of the upstream peers while it advertises the label mappings. A better way is for LSR R2 to make a request to its peer R4 that it is interested in receiving the next-nexthop label mapping information, since R2 has already been configured to perform node-protection for LSR R4.

When the LDP peer between R2 and R4 is up, and there is at least one NFRR lsp configured on R2 to perform node-protection of R4, R2 can optionally send a Notification Message with the Next-Nexthop Label Request bit set in the Status TLV. When the last NFRR LSP protecting node R4 is removed, R2 can optionally send the Notification Message to R4 with the Next-Nexthop Label Withdraw bit set in the Status TLV.

[2.3](#) Next-Nexthop Label Advertisement

When an LSR advertises the FEC-label bindings to its peer, if it has received the Next-Nexthop Label Request from that peer or the LSR is configured with this capability, it SHOULD include the next-nexthop label mapping information when applicable in the Label Mapping Message.

An optional Next-Nexthop Label TLV is defined to be used in the Label Mapping Message. The Next-Nexthop Label contains a list

of (label, downstream router-id) tuples. More than one tuple can be used when there is an ECMP case to different downstream nodes for the same FECs. It is an implementation and local configuration issue whether to announce only one or multiple tuples in the ECMP case.

If some FECs are not advertised with next-nexthop labels, then no node-protection can be performed on those FECs. But they can still be fast re-routed with NFRR link-protection scheme [3]. If there is a NFRR LSP built from R2 to R4, then the LDP data traffic will be re-routed directly onto R4 itself. The node-protection is not meant for all the situations. Usually node-protection is used in the backbone portion of the network, and link-protection is used close to the edge of the network.

[2.4](#) Next-Nexthop Label Update

If an LSR advertises the Next-Nexthop Label TLV in the Label Mapping Messages, and when the next-nexthop label information changes, it MUST re-send the Label Mapping Message with updated next-nexthop label information. The LSR SHOULD implement a means to dampen the re-advertisement to avoid potentially excessive updating due to link flapping.

[3.](#) Next-Nexthop Label Packet Encoding

[3.1](#) Next-Nexthop Label Bits in Status TLV

The Next-Nexthop Label Request/Withdraw information is sent in the

NNhop-Label

Next-Nexthop Label. This is a 20-bit label value as specified in [4] represented as a 20-bit number in a 4 octet field.

NNhop Router-ID

Next-Nexthop router-ID which advertised that next-nexthop label. This is a 4 octet number.

4. Security Considerations

This mechanism does not introduce any new security issue in LDP.

5. IANA Considerations

Two new bits in Status TLV and a new LDP TLV Type is defined in [section 3](#). This LDP extension requires that IANA allocate those numbers.

6. Acknowledgments

TBD.

7. References

- [1] Andersson, L., Doolan, P., Feldman, N., Fredette, A. and B. Thomas, "LDP Specification", [RFC 3036](#), January 2001.
- [2] Pan, P., Gan, D., Swallow, G., Vasseur, J.Ph., Copper, D., Atlas, A., Jork, M., "Fast Reroute Technique in RSVP-TE", Internet draft, [draft-ietf-mpls-rsvp-lsp-fastreroute-06.txt](#), work in progress.

- [3] Shen, N., Pan, P., "NextHop Fast ReRoute for IP and MPLS", Internet draft, [draft-shen-nhop-fastreroute-01.txt](#), work in progress.

- [4] Rosen, E., Tappan, D., Federkow, G., Rekhter, Y., Farinacci, D., Li, T. and A. Conta, "MPLS Label Stack Encoding", [RFC 3032](#), January 2001.

- [5] Bradner, S., "Key words for use in RFCs to Indicate Requirement Levels", [BCP 14](#), [RFC 2119](#), March 1997.

8. Authors' Addresses

Naiming Shen
Redback Networks, Inc.
300 Holger Way
San Jose, CA 95134
e-mail: naiming@redback.com

Enke Chen
Redback Networks, Inc.
300 Holger Way
San Jose, CA 95134
e-mail: enke@redback.com

Albert Tian
Redback Networks, Inc.
300 Holger Way
San Jose, CA 95134
e-mail: tian@redback.com

The IETF has been notified of intellectual property rights claimed in regard to some or all of the specification contained in this document. For more information consult the online list of claimed rights.

The IETF takes no position regarding the validity or scope of any intellectual property or other rights that might be claimed to pertain to the implementation or use of the technology described in this document or the extent to which any license under such rights might or might not be available; neither does it represent that it

Shen, Chen, Tian

Expires January 2005

[Page 6]

Internet Draft

LDP Next-NextHop Label

July 2004

has made any effort to identify any such rights. Information on the IETF's procedures with respect to rights in standards-track and standards-related documentation can be found in [BCP-11](#). Copies of claims of rights made available for publication and any assurances of licenses to be made available, or the result of an attempt made to obtain a general license or permission for the use of such proprietary rights by implementors or users of this specification can be obtained from the IETF Secretariat.

The IETF invites any interested party to bring to its attention any copyrights, patents or patent applications, or other proprietary rights which may cover technology that may be required to practice this standard. Please address the information to the IETF Executive Director.

Full Copyright Notice

Copyright (C) The Internet Society (2004). This document is subject to the rights, licenses and restrictions contained in [BCP 78](#), and except as set forth therein, the authors retain all their rights. This document and the information contained herein is provided on an "AS IS" basis and THE INTERNET SOCIETY AND THE INTERNET ENGINEERING

TASK FORCE DISCLAIMS ALL WARRANTIES, EXPRESS OR IMPLIED, INCLUDING BUT NOT LIMITED TO ANY WARRANTY THAT THE USE OF THE INFORMATION HEREIN WILL NOT INFRINGE ANY RIGHTS OR ANY IMPLIED WARRANTIES OF MERCHANTABILITY OR FITNESS FOR A PARTICULAR PURPOSE.

Acknowledgment

Funding for the RFC Editor function is currently provided by the Internet Society.