

Network Working Group
Internet-Draft
Obsoletes: [rfc5320](#), [rfc5558](#), [rfc5720](#),
[rfc6179](#), [rfc6706](#) (if
approved)

F. Templin, Ed.
Boeing Research & Technology
March 24, 2021

Intended status: Standards Track
Expires: September 25, 2021

**Automatic Extended Route Optimization (AERO)
draft-templin-6man-aero-00**

Abstract

This document specifies an Automatic Extended Route Optimization (AERO) service for IP internetworking over Overlay Multilink Network (OMNI) interfaces. AERO/OMNI use an IPv6 link-local address format that supports operation of the IPv6 Neighbor Discovery (ND) protocol and links ND to IP forwarding. Prefix delegation/registration services are employed for network admission and to manage the routing system. Secure multilink operation, mobility management, multicast, quality of service (QoS) signaling and route optimization are naturally supported through dynamic neighbor cache updates. AERO is a widely-applicable mobile internetworking service especially well-suited to aviation services, intelligent transportation systems, mobile Virtual Private Networks (VPNs) and many other applications.

Status of This Memo

This Internet-Draft is submitted in full conformance with the provisions of [BCP 78](#) and [BCP 79](#).

Internet-Drafts are working documents of the Internet Engineering Task Force (IETF). Note that other groups may also distribute working documents as Internet-Drafts. The list of current Internet-Drafts is at <https://datatracker.ietf.org/drafts/current/>.

Internet-Drafts are draft documents valid for a maximum of six months and may be updated, replaced, or obsoleted by other documents at any time. It is inappropriate to use Internet-Drafts as reference material or to cite them other than as "work in progress."

This Internet-Draft will expire on September 25, 2021.

Copyright Notice

Copyright (c) 2021 IETF Trust and the persons identified as the document authors. All rights reserved.

This document is subject to [BCP 78](https://trustee.ietf.org/license-info) and the IETF Trust's Legal Provisions Relating to IETF Documents (<https://trustee.ietf.org/license-info>) in effect on the date of publication of this document. Please review these documents carefully, as they describe your rights and restrictions with respect to this document. Code Components extracted from this document must include Simplified BSD License text as described in Section 4.e of the Trust Legal Provisions and are provided without warranty as described in the Simplified BSD License.

Table of Contents

- [1. Introduction](#) [4](#)
- [2. Terminology](#) [5](#)
- [3. Automatic Extended Route Optimization \(AERO\)](#) [12](#)
 - [3.1. AERO Node Types](#) [12](#)
 - [3.2. The AERO Service over OMNI Links](#) [13](#)
 - [3.2.1. AERO/OMNI Reference Model](#) [13](#)
 - [3.2.2. Addressing and Node Identification](#) [16](#)
 - [3.2.3. AERO Routing System](#) [17](#)
 - [3.2.4. OMNI Link Segment Routing](#) [19](#)
 - [3.2.5. Segment Routing Topologies \(SRTs\)](#) [23](#)
 - [3.2.6. Segment Routing For OMNI Link Selection](#) [24](#)
 - [3.2.7. Segment Routing Within the OMNI Link](#) [24](#)
 - [3.3. OMNI Interface Characteristics](#) [25](#)
 - [3.4. OMNI Interface Initialization](#) [27](#)
 - [3.4.1. AERO Proxy/Server/Relay Behavior](#) [27](#)
 - [3.4.2. AERO Client Behavior](#) [28](#)
 - [3.4.3. AERO Bridge Behavior](#) [28](#)
 - [3.5. OMNI Interface Neighbor Cache Maintenance](#) [28](#)
 - [3.5.1. OMNI Neighbor Interface Attributes](#) [30](#)
 - [3.5.2. OMNI Neighbor Advertisement Message Flags](#) [30](#)
 - [3.6. OMNI Interface Encapsulation and Re-encapsulation](#) [31](#)
 - [3.7. OMNI Interface Decapsulation](#) [31](#)
 - [3.8. OMNI Interface Data Origin Authentication](#) [31](#)
 - [3.9. OMNI Interface MTU](#) [32](#)
 - [3.10. OMNI Interface Forwarding Algorithm](#) [33](#)
 - [3.10.1. Client Forwarding Algorithm](#) [34](#)
 - [3.10.2. Proxy/Server/Relay Forwarding Algorithm](#) [35](#)
 - [3.10.3. Bridge Forwarding Algorithm](#) [37](#)
 - [3.11. OMNI Interface Error Handling](#) [39](#)
 - [3.12. AERO Router Discovery, Prefix Delegation and Autoconfiguration](#) [41](#)

Templin

Expires September 25, 2021

[Page 2]

3.12.1.	AERO Service Model	41
3.12.2.	AERO Client Behavior	42
3.12.3.	AERO Proxy/Server Behavior	44
3.13.	The AERO Proxy Function	47
3.13.1.	Detecting and Responding to Proxy/Server Failures	50
3.13.2.	Point-to-Multipoint Proxy/Server Coordination	51
3.14.	AERO Address Resolution	52
3.14.1.	Route Optimization Initiation	52
3.14.2.	Relaying the NS(AR) *NET Packet(s)	53
3.14.3.	Processing the NS(AR) and Sending the NA(AR)	53
3.14.4.	Relaying the NA(AR)	55
3.14.5.	Processing the NA(AR)	56
3.14.6.	Route Optimization Maintenance	56
3.15.	Neighbor Unreachability Detection (NUD)	57
3.16.	Mobility Management and Quality of Service (QoS)	59
3.16.1.	Mobility Update Messaging	60
3.16.2.	Announcing Link-Layer Address and/or QoS Preference Changes	61
3.16.3.	Bringing New Links Into Service	61
3.16.4.	Deactivating Existing Links	61
3.16.5.	Moving Between Proxy/Servers	62
3.17.	Multicast	63
3.17.1.	Source-Specific Multicast (SSM)	63
3.17.2.	Any-Source Multicast (ASM)	65
3.17.3.	Bi-Directional PIM (BIDIR-PIM)	66
3.18.	Operation over Multiple OMNI Links	66
3.19.	DNS Considerations	66
3.20.	Transition/Coexistence Considerations	67
3.21.	Detecting and Reacting to Proxy/Server and Bridge Failures	67
3.22.	AERO Clients on the Open Internet	68
3.23.	Time-Varying MNPs	71
4.	Implementation Status	72
5.	IANA Considerations	72
6.	Security Considerations	72
7.	Acknowledgements	74
8.	References	75
8.1.	Normative References	76
8.2.	Informative References	77
Appendix A.	Non-Normative Considerations	83
A.1.	Implementation Strategies for Route Optimization	84
A.2.	Implicit Mobility Management	84
A.3.	Direct Underlying Interfaces	85
A.4.	AERO Critical Infrastructure Considerations	85
A.5.	AERO Server Failure Implications	86
A.6.	AERO Client / Server Architecture	86
Appendix B.	Change Log	88
Author's Address	89

1. Introduction

Automatic Extended Route Optimization (AERO) fulfills the requirements of Distributed Mobility Management (DMM) [[RFC7333](#)] and route optimization [[RFC5522](#)] for aeronautical networking and other network mobility use cases including intelligent transportation systems and enterprise mobile device users. AERO is a secure internetworking and mobility management service that employs the Overlay Multilink Network Interface (OMNI) [[I-D.templin-6man-omni-interface](#)] Non-Broadcast, Multiple Access (NBMA) virtual link model. The OMNI link is a virtual overlay configured over one or more underlying Internetworks, and nodes on the link can exchange original IP packets as single-hop neighbors. The OMNI Adaptation Layer (OAL) supports end system multilink operation for increased reliability, bandwidth optimization and traffic path selection while performing fragmentation and reassembly to support Internetwork segment routing and Maximum Transmission Unit (MTU) diversity.

The AERO service comprises Clients, Proxy/Servers and Relays that are seen as OMNI link neighbors as well as Bridges that interconnect diverse Internetworks as OMNI link segments through OAL forwarding at a layer below IP. Each node's OMNI interface uses an IPv6 link-local address format that supports operation of the IPv6 Neighbor Discovery (ND) protocol [[RFC4861](#)] and links ND to IP forwarding. A node's OMNI interface can be configured over multiple underlying interfaces, and therefore appears as a single interface with multiple link-layer addresses. Each link-layer address is subject to change due to mobility and/or QoS fluctuations, and link-layer address changes are signaled by ND messaging the same as for any IPv6 link.

AERO provides a secure cloud-based service where mobile node Clients may use any Proxy/Server acting as a Mobility Anchor Point (MAP) and fixed nodes may use any Relay on the link for efficient communications. Fixed nodes forward original IP packets destined to other AERO nodes via the nearest Relay, which forwards them through the cloud. A mobile node's initial packets are forwarded through the Proxy/Server, and direct routing is supported through automatic extended route optimization while packets are flowing. Both unicast and multicast communications are supported, and mobile nodes may efficiently move between locations while maintaining continuous communications with correspondents and without changing their IP Address.

AERO Bridges are interconnected in a secured private BGP overlay routing instance to provide an OAL routing/bridging service that joins the underlying Internetworks of multiple disjoint administrative domains into a single unified OMNI link at a layer

below IP. Each OMNI link instance is characterized by the set of Mobility Service Prefixes (MSPs) common to all mobile nodes. The link extends to the point where a Relay is on the optimal route from any correspondent node on the link, and provides a conduit between the underlying Internetwork and the OMNI link. To the underlying Internetwork, the Relay is the source of a route to the MSP, and hence uplink traffic to the mobile node is naturally routed to the nearest Relay.

AERO can be used with OMNI links that span private-use Internetworks and/or public Internetworks such as the global Internet. In the latter case, some end systems may be located behind global Internet Network Address Translators (NATs). A means for robust traversal of NATs while avoiding "triangle routing" is therefore provided.

AERO assumes the use of PIM Sparse Mode in support of multicast communication. In support of Source Specific Multicast (SSM) when a Mobile Node is the source, AERO route optimization ensures that a shortest-path multicast tree is established with provisions for mobility and multilink operation. In all other multicast scenarios there are no AERO dependencies.

AERO was designed as a secure aeronautical internetworking service for both manned and unmanned aircraft, where the aircraft is treated as a mobile node that can connect an Internet of Things (IoT). AERO is also applicable to a wide variety of other use cases. For example, it can be used to coordinate the links of mobile nodes (e.g., cellphones, tablets, laptop computers, etc.) that connect into a home enterprise network via public access networks using tunneling software such as OpenVPN [[OVPN](#)] with VPN or non-VPN services enabled according to the appropriate security model. AERO can also be used to facilitate terrestrial vehicular and urban air mobility (as well as pedestrian communication services) for future intelligent transportation systems [[I-D.ietf-ipwave-vehicular-networking](#)][[I-D.templin-ipwave-uam-its](#)]. Other applicable use cases are also in scope.

The following numbered sections present the AERO specification. The appendices at the end of the document are non-normative.

2. Terminology

The terminology in the normative references applies; especially, the terminology in the OMNI specification [[I-D.templin-6man-omni-interface](#)] is used extensively throughout. The following terms are defined within the scope of this document:

IPv6 Neighbor Discovery (ND)

a control message service for coordinating neighbor relationships between nodes connected to a common link. AERO uses the IPv6 ND messaging service specified in [[RFC4861](#)].

IPv6 Prefix Delegation

a networking service for delegating IPv6 prefixes to nodes on the link. The nominal service is DHCPv6 [[RFC8415](#)], however alternate services (e.g., based on ND messaging) are also in scope. Most notably, a minimal form of prefix delegation known as "prefix registration" can be used if the Client knows its prefix in advance and can represent it in the IPv6 source address of an ND message.

Access Network (ANET)

a node's first-hop data link service network (e.g., a radio access network, cellular service provider network, corporate enterprise network, etc.) that often provides link-layer security services such as IEEE 802.1X and physical-layer security (e.g., "protected spectrum") to prevent unauthorized access internally and with border network-layer security services such as firewalls and proxys that prevent unauthorized outside access.

ANET interface

a node's attachment to a link in an ANET.

Internetwork (INET)

a connected IP network topology with a coherent routing and addressing plan and that provides a transit backbone service for ANET end systems. INETs also provide an underlay service over which the AERO virtual link is configured. Example INETs include corporate enterprise networks, aviation networks, and the public Internet itself. When there is no administrative boundary between an ANET and the INET, the ANET and INET are one and the same.

INET interface

a node's attachment to a link in an INET.

*NET

a "wildcard" term referring to either ANET or INET when it is not necessary to draw a distinction between the two.

*NET interface

a node's attachment to a link in a *NET.

*NET Partition

frequently, *NETs such as large corporate enterprise networks are sub-divided internally into separate isolated partitions (a technique also known as "network segmentation"). Each partition

is fully connected internally but disconnected from other partitions, and there is no requirement that separate partitions maintain consistent Internet Protocol and/or addressing plans. (Each *NET partition is seen as a separate OMNI link segment as discussed below.)

*NET address

an IP address assigned to a node's interface connection to a *NET.

*NET encapsulation

the encapsulation of a packet in an outer header or headers that can be routed within the scope of the local *NET partition.

OMNI link

the same as defined in [[I-D.templin-6man-omni-interface](#)], and manifested by IPv6 encapsulation [[RFC2473](#)]. The OMNI link spans underlying *NET segments joined by virtual bridges in a spanning tree the same as a bridged campus LAN. AERO nodes on the OMNI link appear as single-hop neighbors even though they may be separated by multiple underlying *NET hops, and can use Segment Routing [[RFC8402](#)] to cause packets to visit selected waypoints on the link.

OMNI Interface

a node's attachment to an OMNI link. Since the addresses assigned to an OMNI interface are managed for uniqueness, OMNI interfaces do not require Duplicate Address Detection (DAD) and therefore set the administrative variable 'DupAddrDetectTransmits' to zero [[RFC4862](#)].

OMNI Adaptation Layer (OAL)

an OMNI interface process whereby original IP packets admitted into the interface are wrapped in a mid-layer IPv6 header and subject to fragmentation and reassembly. The OAL is also responsible for generating MTU-related control messages as necessary, and for providing addressing context for spanning multiple segments of a bridged OMNI link.

original IP packet

a whole IP packet or fragment admitted into the OMNI interface by the network layer prior to OAL encapsulation and fragmentation, or an IP packet delivered to the network layer by the OMNI interface following OAL decapsulation and reassembly.

OAL packet

an original IP packet encapsulated in OAL headers and trailers before OAL fragmentation, or following OAL reassembly.

OAL fragment

a portion of an OAL packet following fragmentation but prior to *NET encapsulation, or following *NET encapsulation but prior to OAL reassembly.

(OAL) atomic fragment

an OAL packet that does not require fragmentation is always encapsulated as an "atomic fragment" with a Fragment Header with Fragment Offset and More Fragments both set to 0, but with a valid Identification value.

(OAL) carrier packet

an encapsulated OAL fragment following *NET encapsulation or prior to *NET decapsulation. OAL sources and destinations exchange carrier packets over underlying interfaces, and may be separated by one or more OAL intermediate nodes. OAL intermediate nodes may perform re-encapsulation on carrier packets by removing the *NET headers of the first hop network and replacing them with new *NET headers for the next hop network.

OAL source

an OMNI interface acts as an OAL source when it encapsulates original IP packets to form OAL packets, then performs OAL fragmentation and *NET encapsulation to create carrier packets.

OAL destination

an OMNI interface acts as an OAL destination when it decapsulates carrier packets, then performs OAL reassembly and decapsulation to derive the original IP packet.

OAL intermediate node

an OMNI interface acts as an OAL intermediate node when it removes the *NET headers of carrier packets received on a first segment, then re-encapsulates the carrier packets in new *NET headers and forwards them into the next segment. OAL intermediate nodes decrement the Hop Limit of the OAL IPv6 header during re-encapsulation, and discard the packet if the Hop Limit reaches 0.

underlying interface

a *NET interface over which an OMNI interface is configured.

Mobility Service Prefix (MSP)

an aggregated IP Global Unicast Address (GUA) prefix (e.g., 2001:db8::/32, 192.0.2.0/24, etc.) assigned to the OMNI link and from which more-specific Mobile Network Prefixes (MNPs) are delegated. OMNI link administrators typically obtain MSPs from an Internet address registry, however private-use prefixes can alternatively be used subject to certain limitations (see:

[[I-D.templin-6man-omni-interface](#)]). OMNI links that connect to the global Internet advertise their MSPs to their interdomain routing peers.

Mobile Network Prefix (MNP)

a longer IP prefix delegated from an MSP (e.g., 2001:db8:1000:2000::/56, 192.0.2.8/30, etc.) and delegated to an AERO Client or Relay.

Mobile Network Prefix Link Local Address (MNP-LLA)

an IPv6 Link Local Address that embeds the most significant 64 bits of an MNP in the lower 64 bits of fe80::/64, as specified in [[I-D.templin-6man-omni-interface](#)].

Mobile Network Prefix Unique Local Address (MNP-ULA)

an IPv6 Unique-Local Address derived from an MNP-LLA.

Administrative Link Local Address (ADM-LLA)

an IPv6 Link Local Address that embeds a 32-bit administratively-assigned identification value in the lower 32 bits of fe80::/96, as specified in [[I-D.templin-6man-omni-interface](#)].

Administrative Unique Local Address (ADM-ULA)

an IPv6 Unique-Local Address derived from an ADM-LLA.

AERO node

a node that is connected to an OMNI link and participates in the AERO internetworking and mobility service.

AERO Client ("Client")

an AERO node that connects over one or more underlying interfaces and requests MNP delegation/registration service from AERO Proxy/Servers. The Client assigns an MNP-LLA to the OMNI interface for use in ND exchanges with other AERO nodes and forwards original IP packets to correspondents according to OMNI interface neighbor cache state.

AERO Proxy/Server ("Proxy/Server")

a dual-function node that provides a proxying service between AERO Clients and external peers on its Client-facing ANET interfaces (i.e., in the same fashion as for an enterprise network proxy) as well as default forwarding and Mobility Anchor Point (MAP) services for coordination with correspondents on its INET-facing interfaces (Proxy/Servers in the open Internetwork instead have a single INET interface). The Proxy/Server configures an OMNI interface and assigns an ADM-LLA to support the operation of IPv6 ND services, while advertising all of its associated MNPs via BGP peerings with Bridges. Note that the Proxy and Server functions

can be considered logically separable, but since each Proxy/Server must be informed of all of the Client's other multilink Proxy/Server affiliations the AERO service is best supported when the two functions are coresident on the same physical or logical platform.

AERO Relay ("Relay")

a Proxy/Server that provides forwarding services between nodes reached via the OMNI link and correspondents on connected downstream links. AERO Relays configure an OMNI interface and assign an ADM-LLA the same as Proxy/Servers. AERO Relays also run a dynamic routing protocol to discover any non-MNP IP GUA routes in service on its connected downstream network links. In both cases, the Relay advertises the MSP(s) to its downstream networks, and distributes all of its associated non-MNP IP GUA routes via BGP peerings with Bridges (i.e., the same as for Proxy/Servers).

AERO Bridge ("Bridge")

a node that provides hybrid routing/bridging services (as well as a security trust anchor) for nodes on an OMNI link. The Bridge forwards carrier packets between OMNI link segments as OAL intermediate nodes while decrementing the OAL IPv6 header Hop Limit but without decrementing the network layer IP TTL/Hop Limit. AERO Bridges peer with Proxy/Servers and other Bridges over secured tunnels to discover the full set of MNPs for the link as well as any non-MNP IP GUA routes that are reachable via Relays.

link-layer address

an IP address used as an encapsulation header source or destination address from the perspective of the OMNI interface. When an upper layer protocol (e.g., UDP) is used as part of the encapsulation, the port number is also considered as part of the link-layer address.

network layer address

the source or destination address of an original IP packet presented to the OMNI interface.

end user network (EUN)

an internal virtual or external edge IP network that an AERO Client or Relay connects to the rest of the network via the OMNI interface. The Client/Relay sees each EUN as a "downstream" network, and sees the OMNI interface as the point of attachment to the "upstream" network.

Mobile Node (MN)

an AERO Client and all of its downstream-attached networks that move together as a single unit, i.e., an end system that connects an Internet of Things.

Mobile Router (MR)

a MN's on-board router that forwards original IP packets between any downstream-attached networks and the OMNI link. The MR is the MN entity that hosts the AERO Client.

Route Optimization Source (ROS)

the AERO node nearest the source that initiates route optimization. The ROS may be a Proxy/Server/Relay acting on behalf of the source, or may be the source Client itself.

Route Optimization responder (ROR)

the AERO node nearest the target destination that responds to route optimization requests. The ROR may be a Proxy/Server acting on behalf of a target MNP Client, a Relay for a non-MNP destination or may be the target Client itself.

MAP List

a geographically and/or topologically referenced list of addresses of all Proxy/Servers within the same OMNI link. There is a single MAP list for the entire OMNI link.

Distributed Mobility Management (DMM)

a BGP-based overlay routing service coordinated by Proxy/Servers and Bridges that tracks all Proxy/Server-to-Client associations.

Mobility Service (MS)

the collective set of all Proxy/Servers, Bridges and Relays that provide the AERO Service to Clients.

Mobility Service Endpoint MSE)

an individual Proxy/Server, Bridge or Relay in the Mobility Service.

Throughout the document, the simple terms "Client", "Proxy/Server", "Bridge" and "Relay" refer to "AERO Client", "AERO Proxy/Server", "AERO Bridge" and "AERO Relay", respectively. Capitalization is used to distinguish these terms from other common Internetworking uses in which they appear without capitalization.

The terminology of DHCPv6 [[RFC8415](#)] and IPv6 ND [[RFC4861](#)] (including the names of node variables, messages and protocol constants) is used throughout this document. The terms "All-Routers multicast", "All-Nodes multicast", "Solicited-Node multicast" and "Subnet-Router anycast" are defined in [[RFC4291](#)]. Also, the term "IP" is used to

generically refer to either Internet Protocol version, i.e., IPv4 [[RFC0791](#)] or IPv6 [[RFC8200](#)].

The key words "MUST", "MUST NOT", "REQUIRED", "SHALL", "SHALL NOT", "SHOULD", "SHOULD NOT", "RECOMMENDED", "NOT RECOMMENDED", "MAY", and "OPTIONAL" in this document are to be interpreted as described in [BCP 14](#) [[RFC2119](#)][[RFC8174](#)] when, and only when, they appear in all capitals, as shown here.

3. Automatic Extended Route Optimization (AERO)

The following sections specify the operation of IP over OMNI links using the AERO service:

3.1. AERO Node Types

AERO Clients are Mobile Nodes (MNs) that configure OMNI interfaces over underlying interfaces with addresses that may change when the Client moves to a new network connection point. AERO Clients register their Mobile Network Prefixes (MNPs) with the AERO service, and distribute the MNPs to nodes on EUNs. AERO Bridges, Proxy/Servers and Relays are critical infrastructure elements in fixed (i.e., non-mobile) INET deployments and hence have permanent and unchanging INET addresses. Together, they constitute the AERO service which provides an OMNI link virtual overlay for connecting AERO Clients.

AERO Bridges provide hybrid routing/bridging services (as well as a security trust anchor) for nodes on an OMNI link. Bridges use standard IPv6 routing to forward carrier packets both within the same *NET partition and between disjoint *NET partitions based on an IPv6 encapsulation mid-layer known as the OMNI Adaptation Layer (OAL) [[I-D.templin-6man-omni-interface](#)]. During forwarding, the inner IP layer experiences a virtual bridging service since the inner IP TTL/Hop Limit is not decremented. Each Bridge also peers with Proxy/Servers and other Bridges in a dynamic routing protocol instance to provide a Distributed Mobility Management (DMM) service for the list of active MNPs (see [Section 3.2.3](#)). Bridges present the OMNI link as a set of one or more Mobility Service Prefixes (MSPs) and configure secured tunnels with Proxy/Servers, Relays and other Bridges; they further maintain IP forwarding table entries for each MNP and any other reachable non-MNP prefixes.

AERO Proxy/Servers in distributed *NET locations provide default forwarding and mobility/multilink services for AERO Client Mobile Nodes (MNs). Each Proxy/Server also peers with Bridges in a dynamic routing protocol instance to advertise its list of associated MNPs (see [Section 3.2.3](#)). Proxy/Servers facilitate prefix delegation/

registration exchanges with Clients, where each delegated prefix becomes an MNP taken from an MSP. Proxy/Servers forward carrier packets between OMNI interface neighbors and track each Client's mobility profiles. Proxy/Servers at ANET/INET boundaries provide a conduit for ANET Clients to associate with peers reached through external INETs. Proxy/Servers in the open INET support INET Clients through authenticated IPv6 ND message exchanges.

AERO Relays are Proxy/Servers that provide forwarding services to exchange original IP packets between the OMNI interface and INET/EUN interfaces. Relays are provisioned with MNPs the same as for an AERO Client, and also run a dynamic routing protocol to discover any non-MNP IP routes. The Relay advertises the MSP(s) to its connected networks, and distributes all of its associated MNP and non-MNP routes via BGP peerings with Bridges

[3.2.](#) The AERO Service over OMNI Links

[3.2.1.](#) AERO/OMNI Reference Model

Figure 1 presents the basic OMNI link reference model:

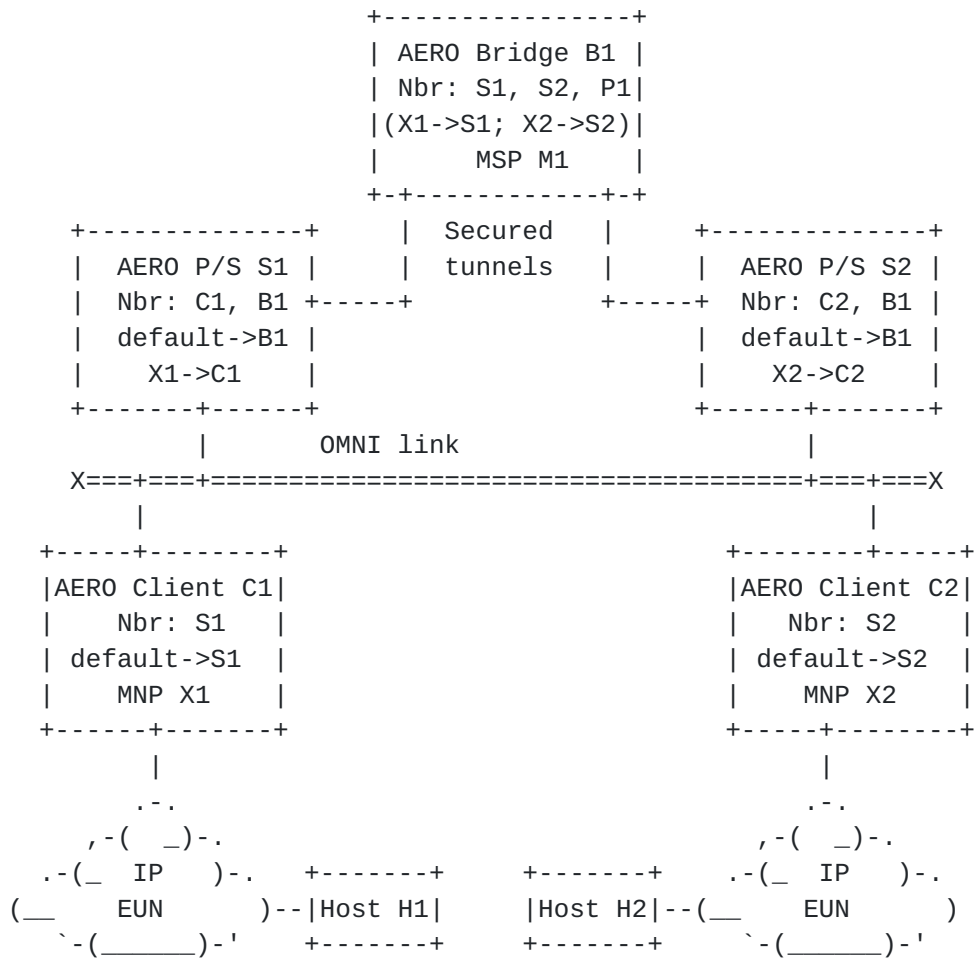


Figure 1: AERO/OMNI Reference Model

In this model:

- o the OMNI link is an overlay network service configured over one or more underlying *NET partitions which may be managed by different administrative authorities and have incompatible protocols and/or addressing plans.
- o AERO Bridge B1 aggregates Mobility Service Prefix (MSP) M1, discovers Mobile Network Prefixes (MNPs) X* and advertises the MSP via BGP peerings over secured tunnels to Proxy/Servers (S1, S2). Bridges connect the disjoint segments of a partitioned OMNI link.
- o AERO Proxy/Servers S1 and S2 configure secured tunnels with Bridge B1 and also provide mobility, multilink, multicast and default router services for the MNPs of their associated Clients C1 and C2. (AERO Proxy/Servers that act as Relays can also advertise non-MNP routes for non-mobile correspondent nodes the same as for MNP Clients.)

- o AERO Clients C1 and C2 associate with Proxy/Servers S1 and S2, respectively. They receive MNP delegations X1 and X2, and also act as default routers for their associated physical or internal virtual EUNs. Simple hosts H1 and H2 attach to the EUNs served by Clients C1 and C2, respectively.

An OMNI link configured over a single *NET appears as a single unified link with a consistent underlying network addressing plan. In that case, all nodes on the link can exchange carrier packets via simple *NET encapsulation, since the underlying *NET is connected. In common practice, however, an OMNI link may be partitioned into multiple "segments", where each segment is a distinct *NET potentially managed under a different administrative authority (e.g., as for worldwide aviation service providers such as ARINC, SITA, Inmarsat, etc.). Individual *NETs may also themselves be partitioned internally, in which case each internal partition is seen as a separate segment.

The addressing plan of each segment is consistent internally but will often bear no relation to the addressing plans of other segments. Each segment is also likely to be separated from others by network security devices (e.g., firewalls, proxys, packet filtering gateways, etc.), and in many cases disjoint segments may not even have any common physical link connections. Therefore, nodes can only be assured of exchanging carrier packets directly with correspondents in the same segment, and not with those in other segments. The only means for joining the segments therefore is through inter-domain peerings between AERO Bridges.

The same as for traditional campus LANs, multiple OMNI link segments can be joined into a single unified link via a virtual bridging service using the OMNI Adaptation Layer (OAL) [[I-D.templin-6man-omni-interface](#)] which inserts a mid-layer IPv6 encapsulation header that supports inter-segment forwarding (i.e., bridging) without decrementing the network-layer TTL/Hop Limit. This bridging of OMNI link segments is shown in Figure 2:

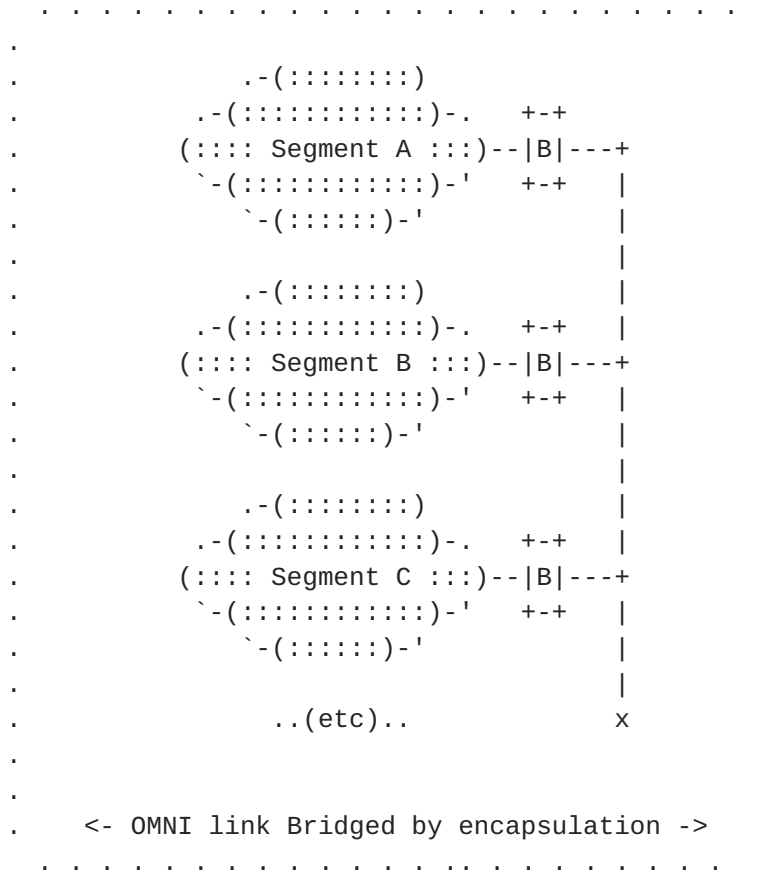


Figure 2: Bridging OMNI Link Segments

Bridges, Proxy/Servers and Relays connect via secured INET tunnels over their respective segments in a spanning tree topology rooted at the Bridges. The secured spanning tree supports strong authentication for IPv6 ND control messages and may also be used to convey the initial carrier packets in a flow. Route optimization can then be employed to cause carrier packets to take more direct paths between OMNI link neighbors without having to strictly follow the spanning tree.

3.2.2. Addressing and Node Identification

AERO nodes on OMNI links use the Link-Local Address (LLA) prefix fe80::/64 [RFC4291] to assign LLAs used for network-layer addresses in link-scoped IPv6 ND and data messages. AERO Clients use LLAs constructed from MNPs (i.e., "MNP-LLAs") while other AERO nodes use LLAs constructed from administrative identification values ("ADM-LLAs") as specified in [I-D.templin-6man-omni-interface]. Non-MNP routes are also represented the same as for MNP-LLAs, but may include a prefix that is not properly covered by the MSP.

AERO nodes also use the Unique Local Address (ULA) prefix `fd00::/8` followed by a pseudo-random 40-bit OMNI domain identifier to form the prefix `[ULA]::/48`, then include a 16-bit OMNI link identifier '*' to form the prefix `[ULA*]::/64` [[RFC4291](#)]. The AERO node then uses the prefix `[ULA*]::/64` to form "MNP-ULAs" or "ADM-ULA"s as specified in [[I-D.templin-6man-omni-interface](#)] to support OAL addressing. (The prefix `[ULA*]::/64` appearing alone and with no suffix represents "default".) AERO Clients also use Temporary ULAs constructed per [[I-D.templin-6man-omni-interface](#)], where the addresses are typically used only in initial control message exchanges until a stable MNP-LLA/ULA is assigned.

AERO MSPs, MNPs and non-MNP routes are typically based on Global Unicast Addresses (GUAs), but in some cases may be based on private-use addresses. See [[I-D.templin-6man-omni-interface](#)] for a full specification of LLAs, ULAs and GUAs used by AERO nodes on OMNI links.

Finally, AERO Clients and Proxy/Servers configure node identification values as specified in [[I-D.templin-6man-omni-interface](#)].

[3.2.3. AERO Routing System](#)

The AERO routing system comprises a private instance of the Border Gateway Protocol (BGP) [[RFC4271](#)] that is coordinated between Bridges and Proxy/Servers and does not interact with either the public Internet BGP routing system or any underlying INET routing systems.

In a reference deployment, each Proxy/Server is configured as an Autonomous System Border Router (ASBR) for a stub Autonomous System (AS) using a 32-bit AS Number (ASN) [[RFC4271](#)] that is unique within the BGP instance, and each Proxy/Server further uses eBGP to peer with one or more Bridges but does not peer with other Proxy/Servers. Each *NET of a multi-segment OMNI link must include one or more Bridges, which peer with the Proxy/Servers within that *NET. All Bridges within the same *NET are members of the same hub AS, and use iBGP to maintain a consistent view of all active routes currently in service. The Bridges of different *NETs peer with one another using eBGP.

Bridges maintain forwarding table entries only for the MNP-ULAs corresponding to MNP and non-MNP routes that are currently active, and carrier packets destined to all other MNP-ULAs will correctly incur Destination Unreachable messages due to the black-hole route. In this way, Proxy/Servers and Relays have only partial topology knowledge (i.e., they know only about the routes their directly associated Clients and non-AERO links) and they forward all other carrier packets to Bridges which have full topology knowledge.

Each OMNI link segment assigns a unique ADM-ULA sub-prefix of [ULA*]::/96. For example, a first segment could assign [ULA*]::1000/116, a second could assign [ULA*]::2000/116, a third could assign [ULA*]::3000/116, etc. Within each segment, each Proxy/Server configures an ADM-ULA within the segment's prefix, e.g., the Proxy/Servers within [ULA*]::2000/116 could assign the ADM-ULAs [ULA*]::2011/116, [ULA*]::2026/116, [ULA*]::2003/116, etc.

The administrative authorities for each segment must therefore coordinate to assure mutually-exclusive ADM-ULA prefix assignments, but internal provisioning of ADM-ULAs an independent local consideration for each administrative authority. For each ADM-ULA prefix, the Bridge(s) that connect that segment assign the all-zero's address of the prefix as a Subnet Router Anycast address. For example, the Subnet Router Anycast address for [ULA*]::1023/116 is simply [ULA*]::1000.

ADM-ULA prefixes are statically represented in Bridge forwarding tables. Bridges join multiple segments into a unified OMNI link over multiple diverse administrative domains. They support a bridging function by first establishing forwarding table entries for their ADM-ULA prefixes either via standard BGP routing or static routes. For example, if three Bridges ('A', 'B' and 'C') from different segments serviced [ULA*]::1000/116, [ULA*]::2000/116 and [ULA*]::3000/116 respectively, then the forwarding tables in each Bridge are as follows:

A: [ULA*]::1000/116->local, [ULA*]::2000/116->B, [ULA*]::3000/116->C

B: [ULA*]::1000/116->A, [ULA*]::2000/116->local, [ULA*]::3000/116->C

C: [ULA*]::1000/116->A, [ULA*]::2000/116->B, [ULA*]::3000/116->local

These forwarding table entries are permanent and never change, since they correspond to fixed infrastructure elements in their respective segments.

MNP ULAs are instead dynamically advertised in the AERO routing system by Proxy/Servers and Relays that provide service for their corresponding MNPs. For example, if three Proxy/Servers ('D', 'E' and 'F') service the MNPs 2001:db8:1000:2000::/56, 2001:db8:3000:4000::/56 and 2001:db8:5000:6000::/56 then the routing system would include:

D: [ULA*]:2001:db8:1000:2000/120

E: [ULA*]:2001:db8:3000:4000/120

F: [ULA*]:2001:db8:5000:6000/120

A full discussion of the BGP-based routing system used by AERO is found in [[I-D.ietf-rtgwg-atn-bgp](#)].

3.2.4. OMNI Link Segment Routing

With the Client and partition prefixes in place in Bridge forwarding tables, the OMNI interface sends control and data messages toward AERO destination nodes located in different OMNI link segments over the spanning tree. The OMNI interface uses the OMNI Adaptation Layer (OAL) encapsulation service [[I-D.templin-6man-omni-interface](#)], and includes an OMNI Routing Header (ORH) as an extension to the OAL header if final segment forwarding information is available, e.g., in the neighbor cache. (For nodes located in the same OMNI link segment, or when no final segment forwarding information is available, the ORH may be omitted.) The ORH is formatted as shown in Figure 3:

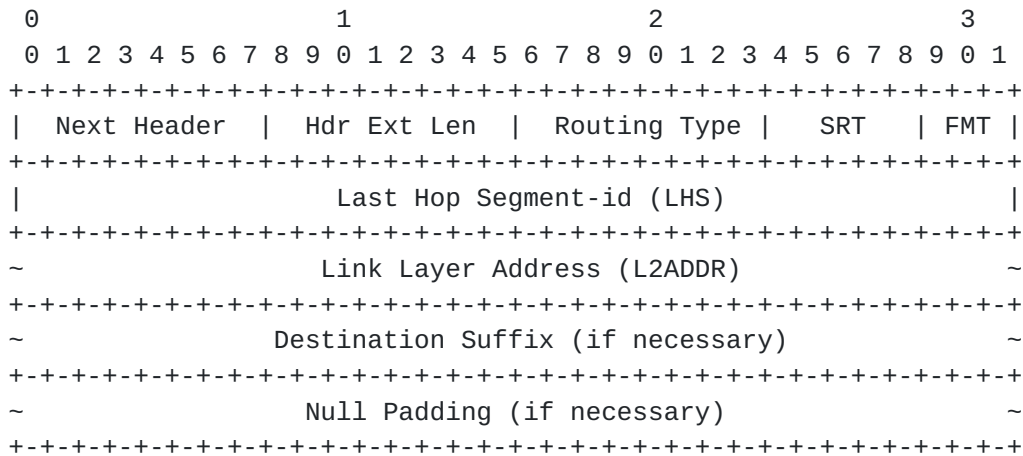


Figure 3: OMNI Routing Header (ORH) Format

In this format:

- o Next Header identifies the type of header immediately following the ORH.
- o Hdr Ext Len is the length of the Routing header in 8-octet units (not including the first 8 octets), with trailing padding added if necessary to produce an integral number of 8-octet units.
- o Routing Type is set to TBD1 (see IANA Considerations).
- o Segments Left is omitted, and replaced by a 5-bit SRT and 3-bit FMT field.

- o SRT - a 5-bit Segment Routing Topology prefix length value that (when added to 96) determines the prefix length to apply to the ADM-ULA formed from concatenating [ULA*]::/96 with the 32 bit LHS value that follows (for example, the value 16 corresponds to the prefix length 112).
- o FMT - a 3-bit "Framework/Mode/Type" code corresponding to the included Link Layer Address as follows:
 - * When the most significant bit (i.e., "Framework") is set to 1, L2ADDR is the *NET encapsulation address for the target Client itself; otherwise L2ADDR is the address of the Proxy/Server named in the LHS.
 - * When the next most significant bit (i.e., "Mode") is set to 1, the Framework node is (likely) located behind a *NET Network Address Translator (NAT); otherwise, it is on the open *NET.
 - * When the least significant bit (i.e., "Type") is set to 0, L2ADDR includes a UDP Port Number followed by an IPv4 address; otherwise, it includes a UDP Port Number followed by an IPv6 address.
- o LHS - the 32 bit ID of a node in the Last Hop Segment that services the target. When SRT and LHS are both set to 0, the LHS is considered unspecified. When SRT is set to 0 and LHS is non-zero, the prefix length is set to 128. SRT and LHS provide guidance to the OMNI interface forwarding algorithm. Specifically, if SRT/LHS is located in the local OMNI link segment, the OAL source can omit the ORH and (following any necessary NAT traversal messaging) send directly to the OAL destination according to FMT/L2ADDR. Otherwise, it includes the ORH and forwards according to the OMNI link spanning tree.
- o Link Layer Address (L2ADDR) - Formatted according to FMT, and identifies the link-layer address (i.e., the encapsulation address) of the target. The UDP Port Number appears in the first two octets and the IP address appears in the next 4 octets for IPv4 or 16 octets for IPv6. The Port Number and IP address are recorded in network byte order, and in ones-compliment "obfuscated" form per [RFC4380](#). The OMNI interface forwarding algorithm uses FMT/L2ADDR to determine the *NET encapsulation address for local forwarding when SRT/LHS is located in the same OMNI link segment. Note that if the target is behind a NAT, L2ADDR will contain the mapped *NET address stored in the NAT; otherwise, L2ADDR will contain the native *NET information of the target itself.

- o Destination Suffix is a 64-bit field included only for OAL non-first-fragments. Present only when Hdr Ext Len indicates that at least 8 bytes follow L2ADDR. When present, encodes the 64-bit MNP-ULA suffix for the target Client.
- o Null Padding contains zero-valued octets as necessary to pad the ORH to an integral number of 8-octet units.

AERO neighbors use OAL encapsulation and fragmentation to exchange OAL packets as specified in [[I-D.templin-6man-omni-interface](#)]. When an AERO node's OMNI interface (acting as an OAL source) uses OAL encapsulation for an original IP packet with source address 2001:db8:1:2::1 and destination address 2001:db8:1234:5678::1, it sets the OAL header source address to its own ULA (e.g., [ULA*]::2001:db8:1:2), sets the destination address to the MNP-ULA corresponding to the IP destination address (e.g., [ULA*]::2001:db8:1234:5678), sets the Traffic Class, Flow Label, Hop Limit and Payload Length as discussed in [[I-D.templin-6man-omni-interface](#)], then finally selects an Identification and appends an OAL checksum.

If the neighbor cache information indicates that the target is in a different segment, the OAL source next inserts an ORH immediately following the OAL header while including the correct SRT, FMT, LHS, L2ADDR and Destination Suffix if fragmentation is needed (in this case, the Destination Suffix is 2001:db8:1234:5678). Next, the OAL source overwrites the OAL header destination address with the LHS Subnet Router Anycast address (for example, for LHS 3000:4567 with SRT 16, the Subnet Router Anycast address is [ULA*]::3000:0000). (Note: if the ADM-ULA of the last-hop Proxy/Server is known but the SRT, FMT, LHS and L2ADDR are not (yet) known, the OAL source instead overwrites the OAL header destination address with the ADM-ULA.)

The OAL source then fragments the OAL packet, with each resulting OAL fragment including the OAL/ORH headers while only the first fragment includes the original IPv6 header. (Note that if no actual fragmentation is required the OAL packet is still prepared as an "atomic" fragment that includes a Fragment Header with Offset and More Fragments both set to 0.) The OAL source finally encapsulates each resulting OAL fragment in an *NET header to form an OAL carrier packet, with source address set to its own *NET address (e.g., 192.0.2.100) and destination set to the *NET address of a Bridge (e.g., 192.0.2.1).

The carrier packet encapsulation format in the above example is shown in Figure 4:

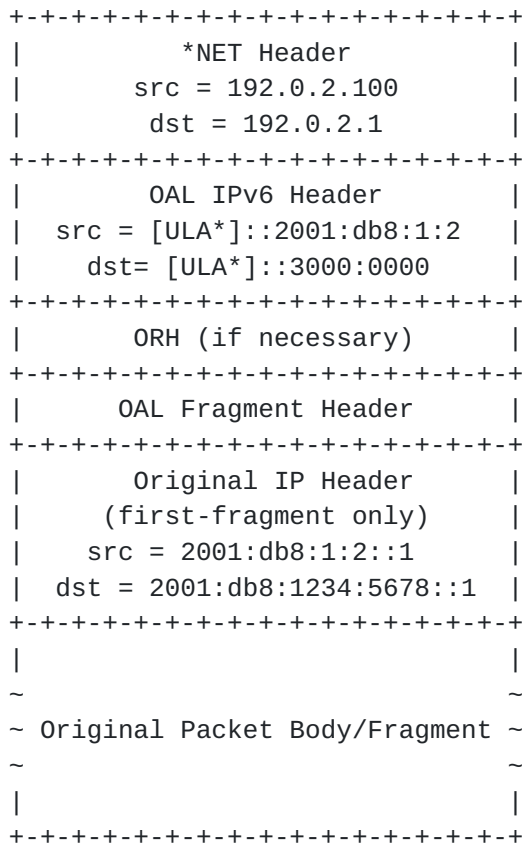


Figure 4: Carrier Packet Format

In this format, the original IP header and packet body/fragment are from the original IP packet, the OAL header is an IPv6 header prepared according to [\[RFC2473\]](#), the ORH is a Routing Header extension of the OAL header, the Fragment Header identifies each fragment, and the INET header is prepared as discussed in [Section 3.6](#). When the OAL source transmits the resulting carrier packets, they are forwarded over possibly multiple OAL intermediate nodes in the OMNI link spanning tree until they arrive at the OAL destination.

This gives rise to a routing system that contains both Client MNP-ULA routes that may change dynamically due to regional node mobility and per-partition ADM-ULA routes that rarely if ever change. The Bridges can therefore provide link-layer bridging by sending carrier packets over the spanning tree instead of network-layer routing according to MNP routes. As a result, opportunities for loss due to node mobility between different segments are mitigated.

In normal operations, IPv6 ND messages are conveyed over secured paths between OMNI link neighbors so that specific Proxy/Servers or Relays can be addressed without being subject to mobility events.

Conversely, only the first few carrier packets destined to Clients need to traverse secured paths until route optimization can determine a more direct path.

Note: When the OAL source and destination are on the same INET segment, the ORH is not needed and OAL header compression can be used to significantly reduce encapsulation overhead [[I-D.templin-6man-omni-interface](#)].

Note: When the OAL source has multiple original IP packets to send to the same OAL destination, it can perform "packing" to generate a "super-packet" [[I-D.templin-6man-omni-interface](#)]. In that case, the OAL/ORH super-packet may include up to N original IP packets as long as the total length of the super-packet does not exceed the OMNI interface MTU.

Note: Use of an IPv6 "minimal encapsulation" format (i.e., an IPv6 variant of [[RFC2004](#)]) based on extensions to the ORH was considered and abandoned. In the approach, the ORH would be inserted as an extension header to the original IPv6 packet header. The IPv6 destination address would then be written into the ORH, and the ULA corresponding to the destination would be overwritten in the IPv6 destination address. This would seemingly convey enough forwarding information so that OAL encapsulation could be avoided. However, this "minimal encapsulation" IPv6 packet would then have a non-ULA source address and ULA destination address, an incorrect value in upper layer protocol checksums, and a Hop Limit that is decremented within the spanning tree when it should not be. The insertion and removal of the ORH would also entail rewriting the Payload Length and Next Header fields - again, invalidating upper layer checksums. These irregularities would result in implementation challenges and the potential for operational issues, e.g., since actionable ICMPv6 error reports could not be delivered to the original source. In order to address the issues, still more information such as the original IPv6 source address could be written into the ORH. However, with the additional information the benefit of the "minimal encapsulation" savings quickly diminishes, and becomes overshadowed by the implementation and operational irregularities.

[3.2.5. Segment Routing Topologies \(SRTs\)](#)

The 64-bit sub-prefixes of [ULA]::/48 identify up to 2^{16} distinct Segment Routing Topologies (SRTs). Each SRT is a mutually-exclusive OMNI link overlay instance using a distinct set of ULAs, and emulates a Virtual LAN (VLAN) service for the OMNI link. In some cases (e.g., when redundant topologies are needed for fault tolerance and reliability) it may be beneficial to deploy multiple SRTs that act as

independent overlay instances. A communication failure in one instance therefore will not affect communications in other instances.

Each SRT is identified by a distinct value in bits 48-63 of [ULA]::/48, i.e., as [ULA0]::/64, [ULA1]::/64, [ULA2]::/64, etc. Each OMNI interface is identified by a unique interface name (e.g., omni0, omni1, omni2, etc.) and assigns an anycast ADM-ULA corresponding to its SRT prefix length. The anycast ADM-ULA is used for OMNI interface determination in Safety-Based Multilink (SBM) as discussed in [[I-D.templin-6man-omni-interface](#)]. Each OMNI interface further applies Performance-Based Multilink (PBM) internally.

[3.2.6.](#) Segment Routing For OMNI Link Selection

An original IPv6 source can direct an IPv6 packet to an AERO node by including a standard IPv6 Segment Routing Header (SRH) [[RFC8754](#)] with the anycast ADM-ULA for the selected SRT as either the IPv6 destination or as an intermediate hop within the SRH. This allows the original source to determine the specific OMNI link topology an original IPv6 packet will traverse when there may be multiple alternatives.

When the AERO node processes the SRH and forwards the original IPv6 packet to the correct OMNI interface, the OMNI interface writes the next IPv6 address from the SRH into the IPv6 destination address and decrements Segments Left. If decrementing would cause Segments Left to become 0, the OMNI interface deletes the SRH before forwarding. This form of Segment Routing supports Safety-Based Multilink (SBM).

[3.2.7.](#) Segment Routing Within the OMNI Link

OAL sources can insert an ORH for Segment Routing within the OMNI link to influence the paths of OAL packets sent to OAL destinations in remote segments without requiring all carrier packets to traverse strict spanning tree paths.

When an AERO node's OMNI interface has an original IP packet to send to a target discovered through route optimization located in the same OMNI link segment, it acts as an OAL source to perform OAL encapsulation and fragmentation. The node then uses the target's Link Layer Address (L2ADDR) information for *NET encapsulation.

When an AERO node's OMNI interface has an original IP packet to send to a route optimization target located in a remote OMNI link segment, it acts as an OAL source the same as above but also includes an ORH while setting the OAL destination to the Subnet Router Anycast address for the final OMNI link segment, then forwards the resulting carrier packets to a Bridge.

When a Bridge receives a carrier packet destined to its Subnet Router Anycast address with an ORH with SRT/LHS values corresponding to the local segment, it examines the L2ADDR according to FMT and removes the ORH from the carrier packet. The Bridge then writes the MNP-ULA corresponding to the ORH Destination Suffix into the OAL destination address, decrements the OAL IPv6 header Hop Limit (and discards the packet if the Hop Limit reaches 0), re-encapsulates the carrier packet according to L2ADDR and forwards the carrier packet either to the LHS Proxy/Server or directly to the target Client itself. In this way, the Bridge participates in route optimization to reduce traffic load and suboptimal routing through strict spanning tree paths.

3.3. OMNI Interface Characteristics

OMNI interfaces are virtual interfaces configured over one or more underlying interfaces classified as follows:

- o INET interfaces connect to an INET either natively or through one or more NATs. Native INET interfaces have global IP addresses that are reachable from any INET correspondent. The INET-facing interfaces of Proxy/Servers are native interfaces, as are Relay and Bridge interfaces. NATed INET interfaces connect to a private network behind one or more NATs that provide INET access. Clients that are behind a NAT are required to send periodic keepalive messages to keep NAT state alive when there are no carrier packets flowing.
- o ANET interfaces connect to an ANET that is separated from the open INET by a Proxy/Server. Proxy/Servers can actively issue control messages over the INET on behalf of the Client to reduce ANET congestion.
- o VPned interfaces use security encapsulation over the INET to a Virtual Private Network (VPN) server that also acts as a Proxy/Server. Other than the link-layer encapsulation format, VPned interfaces behave the same as Direct interfaces.
- o Direct (i.e., single-hop point-to-point) interfaces connect a Client directly to a Proxy/Server without crossing any ANET/INET paths. An example is a line-of-sight link between a remote pilot and an unmanned aircraft. The same Client considerations apply as for VPned interfaces.

OMNI interfaces use OAL encapsulation and fragmentation as discussed in [Section 3.2.4](#). OMNI interfaces use *NET encapsulation (see: [Section 3.6](#)) to exchange carrier packets with OMNI link neighbors over INET or VPned interfaces as well as over ANET interfaces for

which the Client and Proxy/Server may be multiple IP hops away. OMNI interfaces do not use link-layer encapsulation over Direct underlying interfaces or ANET interfaces when the Client and Proxy/Server are known to be on the same underlying link.

OMNI interfaces maintain a neighbor cache for tracking per-neighbor state the same as for any interface. OMNI interfaces use ND messages including Router Solicitation (RS), Router Advertisement (RA), Neighbor Solicitation (NS) and Neighbor Advertisement (NA) for neighbor cache management.

OMNI interfaces send ND messages with an OMNI option formatted as specified in [[I-D.templin-6man-omni-interface](#)]. The OMNI option includes prefix registration information and Interface Attributes containing link information parameters for the OMNI interface's underlying interfaces. Each OMNI option may include multiple Interface Attributes sub-options, each identified by an ifIndex value.

A Client's OMNI interface may be configured over multiple underlying interface connections. For example, common mobile handheld devices have both wireless local area network ("WLAN") and cellular wireless links. These links are often used "one at a time" with low-cost WLAN preferred and highly-available cellular wireless as a standby, but a simultaneous-use capability could provide benefits. In a more complex example, aircraft frequently have many wireless data link types (e.g. satellite-based, cellular, terrestrial, air-to-air directional, etc.) with diverse performance and cost properties.

If a Client's multiple underlying interfaces are used "one at a time" (i.e., all other interfaces are in standby mode while one interface is active), then ND message OMNI options include only a single Interface Attributes sub-option set to constant values. In that case, the Client would appear to have a single interface but with a dynamically changing link-layer address.

If the Client has multiple active underlying interfaces, then from the perspective of ND it would appear to have multiple link-layer addresses. In that case, ND message OMNI options MAY include multiple Interface Attributes sub-options - each with values that correspond to a specific interface. Every ND message need not include Interface Attributes for all underlying interfaces; for any attributes not included, the neighbor considers the status as unchanged.

Bridge and Proxy/Server OMNI interfaces may be configured over one or more secured tunnel interfaces. The OMNI interface configures both an ADM-LLA and its corresponding ADM-ULA, while the underlying

secured tunnel interfaces are either unnumbered or configure the same ULA. The OMNI interface acting as an OAL source encapsulates and fragments each original IP packet, then and presents the resulting carrier packets to the underlying secured tunnel interface. Routing protocols such as BGP that run over the OMNI interface do not employ OAL encapsulation, but rather present the routing protocol messages directly to the underlying secured tunnels while using the ULA as the source address. This distinction must be honored consistently according to each node's configuration so that the IP forwarding table will associate discovered IP routes with the correct interface.

3.4. OMNI Interface Initialization

AERO Proxy/Servers and Clients configure OMNI interfaces as their point of attachment to the OMNI link. AERO nodes assign the MSPs for the link to their OMNI interfaces (i.e., as a "route-to-interface") to ensure that original IP packets with destination addresses covered by an MNP not explicitly assigned to a non-OMNI interface are directed to the OMNI interface.

OMNI interface initialization procedures for Proxy/Servers, Clients and Bridges are discussed in the following sections.

3.4.1. AERO Proxy/Server/Relay Behavior

When a Proxy/Server enables an OMNI interface, it assigns an ADM-{LLA,ULA} appropriate for the given OMNI link segment. The Proxy/Server also configures secured tunnels with one or more neighboring Bridges and engages in a BGP routing protocol session with each Bridge.

The OMNI interface provides a single interface abstraction to the IP layer, but internally includes one or more secured tunnels as well as an NBMA nexus as underlying interfaces for sending carrier packets to OMNI interface neighbors. The Proxy/Server further configures a service to facilitate ND exchanges with AERO Clients and manages per-Client neighbor cache entries and IP forwarding table entries based on control message exchanges.

Relays are simply Proxy/Servers that run a dynamic routing protocol to redistribute routes between the OMNI interface and INET/EUN interfaces (see: [Section 3.2.3](#)). The Relay provisions MNPs to networks on the INET/EUN interfaces (i.e., the same as a Client would do) and advertises the MSP(s) for the OMNI link over the INET/EUN interfaces. The Relay further provides an attachment point of the OMNI link to a non-MNP-based global topology.

3.4.2. AERO Client Behavior

When a Client enables an OMNI interface, it assigns either an MNP-`{LLA, ULA}` or a Temporary ULA and sends RS messages with ND parameters over its underlying interfaces to a Proxy/Server, which returns an RA message with corresponding parameters. The RS/RA messages may pass through one or more NATs in the case of a Client's INET interface. (Note: if the Client used a Temporary ULA in its initial RS message, it will discover an MNP-`{LLA, ULA}` in the corresponding RA that it receives from the Proxy/Server and begin using these new addresses. If the Client is operating outside the context of AERO infrastructure such as in a Mobile Ad-hoc Network (MANET), however, it may continue using Temporary ULAs for Client-to-Client communications until it encounters an infrastructure element that can provide an MNP.)

3.4.3. AERO Bridge Behavior

AERO Bridges configure an OMNI interface and assign the ADM-ULA Subnet Router Anycast address for each OMNI link segment they connect to. Bridges configure secured tunnels with Proxy/Servers and other Bridges, and engage in a BGP routing protocol session with neighbors on the spanning tree (see: [Section 3.2.3](#)).

3.5. OMNI Interface Neighbor Cache Maintenance

Each OMNI interface maintains a conceptual neighbor cache that includes an entry for each neighbor it communicates with on the OMNI link per [\[RFC4861\]](#). In addition to ordinary neighbor cache entries, proxy neighbor cache entries are created and maintained by AERO Proxy/Servers when they proxy Client ND message exchanges [\[RFC4389\]](#). AERO Proxy/Servers maintain proxy neighbor cache entries for each of their associated Clients.

To the list of neighbor cache entry states in [Section 7.3.2 of \[RFC4861\]](#), Proxy/Server OMNI interfaces add an additional state DEPARTED that applies to Clients that have recently departed. The interface sets a "DepartTime" variable for the neighbor cache entry to "DEPART_TIME" seconds. DepartTime is decremented unless a new ND message causes the state to return to REACHABLE. While a neighbor cache entry is in the DEPARTED state, the Proxy/Server forwards carrier packets destined to the target Client to the Client's new location instead. When DepartTime decrements to 0, the neighbor cache entry is deleted. It is RECOMMENDED that DEPART_TIME be set to the default constant value REACHABLE_TIME plus 10 seconds (40 seconds by default) to allow a window for carrier packets in flight to be delivered while stale route optimization state may be present.

Proxy/Servers can act as RORs on behalf of disadvantaged Clients according to the Proxy Neighbor Advertisement specification in [Section 7.2.8 of \[RFC4861\]](#), while well-connected Clients can act as an ROR on their own behalf. When a Proxy/Server ROR receives an authentic NS message used for route optimization, it first searches for a proxy neighbor cache entry for the target Client and accepts the message only if there is an entry. The Proxy/Server (or the actual target Client acting as an ROR) then returns a solicited NA message while creating a neighbor cache entry for the ROS and caching the Identification value found in the NS message carrier packet as the starting window Identification value for this ROS. Proxy/Servers acting as proxy RORs also create or update a "Report List" entry for the ROS in the target Client's proxy neighbor cache entry with a "ReportTime" variable set to REPORT_TIME seconds. The ROR resets ReportTime when it receives a new authentic NS message, and otherwise decrements ReportTime while no authentic NS messages have been received. It is RECOMMENDED that REPORT_TIME be set to the default constant value REACHABLE_TIME plus 10 seconds (40 seconds by default) to allow a window for route optimization to converge before ReportTime decrements below REACHABLE_TIME.

When the ROS receives a solicited NA message response to its NS message used for route optimization, it creates or updates a neighbor cache entry for the target network-layer and link-layer addresses. The ROS then (re)sets ReachableTime for the neighbor cache entry to REACHABLE_TIME seconds and uses this value to determine whether carrier packets can be forwarded directly to the target, i.e., instead of via a default route. The ROS also maintains a window start Identification value that is monotonically incremented for each OAL packet sent to this target, and sets new window start Identification values when it sends a new NS. The ROS otherwise decrements ReachableTime while no further solicited NA messages arrive. It is RECOMMENDED that REACHABLE_TIME be set to the default constant value 30 seconds as specified in [\[RFC4861\]](#).

AERO nodes also use the value MAX_UNICAST_SOLICIT to limit the number of NS keepalives sent when a correspondent may have gone unreachable, the value MAX_RTR_SOLICITATIONS to limit the number of RS messages sent without receiving an RA and the value MAX_NEIGHBOR_ADVERTISEMENT to limit the number of unsolicited NAs that can be sent based on a single event. It is RECOMMENDED that MAX_UNICAST_SOLICIT, MAX_RTR_SOLICITATIONS and MAX_NEIGHBOR_ADVERTISEMENT be set to 3 the same as specified in [\[RFC4861\]](#).

Different values for DEPART_TIME, REPORT_TIME, REACHABLE_TIME, MAX_UNICAST_SOLICIT, MAX_RTR_SOLICITATIONS and MAX_NEIGHBOR_ADVERTISEMENT MAY be administratively set; however, if different values are chosen, all nodes on the link MUST consistently

configure the same values. Most importantly, DEPART_TIME and REPORT_TIME SHOULD be set to a value that is sufficiently longer than REACHABLE_TIME to avoid packet loss due to stale route optimization state.

3.5.1. OMNI Neighbor Interface Attributes

OMNI interface IPv6 ND messages include OMNI options [[I-D.templin-6man-omni-interface](#)] with Interface Attributes that provide Link-Layer Address and QoS Preference information for the neighbor's underlying interfaces. This information is stored in the neighbor cache and provides the basis for the forwarding algorithm specified in [Section 3.10](#). The information is cumulative and reflects the union of the OMNI information from the most recent ND messages received from the neighbor; it is therefore not required that each ND message contain all neighbor information.

The OMNI option Interface Attributes for each underlying interface includes a two-part "Link-Layer Address" consisting of a simple IP encapsulation address determined by the FMT and L2ADDR fields and an ADM-ULA determined by the SRT and LHS fields. Underlying interfaces are further selected based on their associated preference values "high", "medium", "low" or "disabled".

Note: the OMNI option is distinct from any Source/Target Link-Layer Address Options (S/TLLAOs) that may appear in an ND message according to the appropriate IPv6 over specific link layer specification (e.g., [[RFC2464](#)]). If both an OMNI option and S/TLLAO appear, the former pertains to encapsulation addresses while the latter pertains to the native L2 address format of the underlying media.

3.5.2. OMNI Neighbor Advertisement Message Flags

As discussed in [Section 4.4 of \[RFC4861\]](#) NA messages include three flag bits R, S and O. OMNI interface NA messages treat the flags as follows:

- o R: The R ("Router") flag is set to 1 in the NA messages sent by all AERO/OMNI node types. Simple hosts that would set R to 0 do not occur on the OMNI link itself, but may occur on the downstream links of Clients and Relays.
- o S: The S ("Solicited") flag is set exactly as specified in [Section 4.4. of \[RFC4861\]](#), i.e., it is set to 1 for Solicited NAs and set to 0 for Unsolicited NAs (both unicast and multicast).
- o O: The O ("Override") flag is set to 0 for solicited proxy NAs returned by a Proxy/Server ROR and set to 1 for all other

solicited and unsolicited NAs. For further study is whether solicited NAs for anycast targets apply for OMNI links. Since MNP-LLAs must be uniquely assigned to Clients to support correct ND protocol operation, however, no role is currently seen for assigning the same MNP-LLA to multiple Clients.

3.6. OMNI Interface Encapsulation and Re-encapsulation

The OMNI interface admits original IP packets then (acting as an OAL source) performs OAL encapsulation and fragmentation as specified in [[I-D.templin-6man-omni-interface](#)] while including an ORH if necessary as specified in [Section 3.2.4](#). OAL encapsulation produces OAL packets, while OAL fragmentation turns them into OAL fragments which are then encapsulated in *NET headers as carrier packets.

For carrier packets undergoing re-encapsulation at an OAL intermediate node, the OMNI interface decrements the OAL IPv6 header Hop Limit and discards the carrier packet if the Hop Limit reaches 0. The intermediate node next removes the *NET encapsulation headers from the first segment and re-encapsulates the packet in new *NET encapsulation headers for the next segment.

When a Proxy/Server or Relay re-encapsulates a carrier packet received from a Client that includes an OAL but no ORH, it inserts an ORH immediately following the OAL header and adjusts the OAL payload length and destination address field. The inserted ORH will be removed by the final-hop Bridge, but its insertion and removal will not interfere with reassembly at the final destination. For this reason, Clients must reserve 40 bytes for a maximum-length ORH when they perform OAL encapsulation (see: [Section 3.9](#)).

3.7. OMNI Interface Decapsulation

OMNI interfaces (acting as OAL destinations) decapsulate and reassemble OAL packets into original IP packets destined either to the AERO node itself or to a destination reached via an interface other than the OMNI interface the original IP packet was received on. When carrier packets containing OAL fragments arrive, the OMNI interface reassembles as discussed in [Section 3.9](#).

3.8. OMNI Interface Data Origin Authentication

AERO nodes employ simple data origin authentication procedures. In particular:

- o AERO Bridges and Proxy/Servers accept carrier packets (including either data or control messages) received from the (secured) spanning tree.

- o AERO Proxy/Servers and Clients accept carrier packets and original IP packets that originate from within the same secured ANET.
- o AERO Clients and Relays accept original IP packets from downstream network correspondents based on ingress filtering.
- o AERO Clients, Relays and Proxy/Servers verify carrier packet UDP/IP encapsulation addresses according to [\[RFC4380\]](#).
- o AERO Clients (as well as Proxy/Servers and Relays when acting as OAL destinations) accept OAL packets/fragments with Identification values within the current window for the OAL source.

AERO nodes silently drop any packets that do not satisfy the above data origin authentication procedures. Further security considerations are discussed in [Section 6](#).

[3.9](#). OMNI Interface MTU

The OMNI interface observes the link nature of tunnels, including the Maximum Transmission Unit (MTU), Maximum Reassembly Unit (MRU) and the role of fragmentation and reassembly [\[I-D.ietf-intarea-tunnels\]](#). The OMNI interface employs an OMNI Adaptation Layer (OAL) that accommodates multiple underlying links with diverse MTUs while observing both a minimum and per-path Maximum Payload Size (MPS). The functions of the OAL and the OMNI interface MTU/MRU/MPS are specified in Section 5 of [\[I-D.templin-6man-omni-interface\]](#) with MTU/MRU both set to the constant value 9180 bytes, with minimum MPS set to 400 bytes, and with per-path MPS set to potentially larger values depending on the underlying path.

When the network layer presents an original IP packet to the OMNI interface, the OAL source encapsulates and fragments the original IP packet if necessary. When the network layer presents the OMNI interface with multiple original IP packets bound to the same OAL destination, the OAL source can concatenate them together into a single OAL super-packet as discussed in [\[I-D.templin-6man-omni-interface\]](#). The OAL source then fragments the OAL packet if necessary according to the minimum/path MPS such that the OAL headers appear in each fragment while the original IP packet header appears only in the first fragment. The OAL source then encapsulates each OAL fragment in *NET headers for transmission as carrier packets over an underlying interface connected to either a physical link such as Ethernet, WiFi and the like or a virtual link such as an Internet or higher-layer tunnel (see the definition of link in [\[RFC8200\]](#)).

Note: A Client that does not (yet) have neighbor cache state for a target may omit the ORH in carrier packets with the understanding that a Proxy/Server may insert an ORH on its behalf. For this reason, Clients reserve 40 bytes for the largest possible ORH in their OAL fragment size calculations.

Note: Although the ORH may be removed by a Bridge on the path (see: [Section 3.10.3](#)), this does not interfere with the destination's ability to reassemble. This is due to the fact that the ORH is not included in the fragmentable part; therefore, its removal does not invalidate the offset values in any fragment headers.

3.10. OMNI Interface Forwarding Algorithm

Original IP packets enter a node's OMNI interface either from the network layer (i.e., from a local application or the IP forwarding system) while carrier packets enter from the link layer (i.e., from an OMNI interface neighbor). All original IP packets and carrier packets entering a node's OMNI interface first undergo data origin authentication as discussed in [Section 3.8](#). Those that satisfy data origin authentication are processed further, while all others are dropped silently.

Original IP packets that enter the OMNI interface from the network layer are forwarded to an OMNI interface neighbor using OAL encapsulation and fragmentation to produce carrier packets for transmission over underlying interfaces. (If routing indicates that the original IP packet should instead be forwarded back to the network layer, the packet is dropped to avoid looping). Carrier packets that enter the OMNI interface from the link layer are either re-encapsulated and re-admitted into the OMNI link, or reassembled and forwarded to the network layer where they are subject to either local delivery or IP forwarding. In all cases, the OAL MUST NOT decrement the network layer TTL/Hop-count since its forwarding actions occur below the network layer.

OMNI interfaces may have multiple underlying interfaces and/or neighbor cache entries for neighbors with multiple underlying interfaces (see [Section 3.3](#)). The OAL uses interface attributes and/or traffic classifiers (e.g., DSCP value, port number, flow specification, etc.) to select an outgoing underlying interface for each OAL packet based on the node's own QoS preferences, and also to select a destination link-layer address based on the neighbor's underlying interface with the highest preference. AERO implementations SHOULD allow for QoS preference values to be modified at runtime through network management.

If multiple outgoing interfaces and/or neighbor interfaces have a preference of "high", the AERO node replicates the OAL packet and sends one copy via each of the (outgoing / neighbor) interface pairs; otherwise, the node sends a single copy of the OAL packet via an interface with the highest preference. (While not strictly required, successful delivery may be more likely when all OAL fragments of the same OAL packet are sent over the same underlying interface.) AERO nodes keep track of which underlying interfaces are currently "reachable" or "unreachable", and only use "reachable" interfaces for forwarding purposes.

The following sections discuss the OMNI interface forwarding algorithms for Clients, Proxy/Servers and Bridges. In the following discussion, an original IP packet's destination address is said to "match" if it is the same as a cached address, or if it is covered by a cached prefix (which may be encoded in an MNP-LLA).

3.10.1. Client Forwarding Algorithm

When an original IP packet enters a Client's OMNI interface from the network layer the Client searches for a neighbor cache entry that matches the destination. If there is a match, the Client selects one or more "reachable" neighbor interfaces in the entry for forwarding purposes. If there is no neighbor cache entry, the Client instead forwards the original IP packet toward a Proxy/Server. The Client (acting as an OAL source) performs OAL encapsulation and sets the OAL destination address to the MNP-ULA if there is a matching neighbor cache entry; otherwise, it sets the OAL destination to the ADM-ULA of the Proxy/Server. If the Client has multiple original IP packets to send to the same neighbor, it can concatenate them in a single super-packet [[I-D.templin-6man-omni-interface](#)]. The OAL source then performs fragmentation to create OAL fragments (see: [Section 3.9](#)), appends any *NET encapsulation, and sends the resulting carrier packets over underlying interfaces to the neighbor acting as an OAL destination.

If the neighbor interface selected for forwarding is located on the same OMNI link segment and not behind a NAT, the Client forwards the carrier packets directly according to the L2ADDR information for the neighbor. If the neighbor interface is behind a NAT on the same OMNI link segment, the Client instead forwards the initial carrier packets to its Proxy/Server and initiates NAT traversal procedures. If the Client's intended source underlying interface is also behind a NAT and located on the same OMNI link segment, it sends a "direct bubble" over the interface per [[RFC6081](#)][RFC4380] to the L2ADDR found in the neighbor cache in order to establish state in its own NAT by generating traffic toward the neighbor (note that no response to the bubble is expected).

The Client next sends an NS(NUD) message toward the MNP-ULA of the neighbor via its Proxy/Server as discussed in [Section 3.15](#). If the Client receives an NA(NUD) from the neighbor over the underlying interface, it marks the neighbor interface as "trusted" and sends future carrier packets directly to the L2ADDR information for the neighbor instead of indirectly via the Proxy/Server. The Client must honor the neighbor cache maintenance procedure by sending additional direct bubbles and/or NS/NA(NUD) messages as discussed in [\[RFC6081\]](#)[\[RFC4380\]](#) in order to keep NAT state alive as long as carrier packets are still flowing.

When an carrier packet enters a Client's OMNI interface from the link-layer, if the OAL destination matches one of the Client's MNPs or LLAs the Client (acting as an OAL destination) reassembles and decapsulates as necessary and delivers the original IP packet to the network layer. Otherwise, the Client drops the original IP packet and MAY return a network-layer ICMP Destination Unreachable message subject to rate limiting (see: [Section 3.11](#)).

Note: Clients and their Proxy/Server (and other Client) peers can exchange original IP packets over ANET underlying interfaces without invoking the OAL, since the ANET is secured at the link and physical layers. By forwarding original IP packets without invoking the OAL, however, the ANET peers can engage only in classical path MTU discovery since the packets are subject to loss and/or corruption due to the various per-link MTU limitations that may occur within the ANET. Moreover, the original IP packets do not include per-packet Identification values that can be used for data origin authentication and link-layer retransmission purposes, nor the OAL integrity check. The tradeoff therefore involves an assessment of the per-packet encapsulation overhead saved by bypassing the OAL vs. inheritance of classical network "brittleness".

[3.10.2](#). Proxy/Server/Relay Forwarding Algorithm

When the Proxy/Server receives an original IP packet from the network layer, it drops the packet if routing indicates that it should be forwarded back to the network layer to avoid looping. Otherwise, the Proxy/Server regards the original IP packet the same as if it had arrived as carrier packets with OAL destination set to its own ADM-ULA. When the Proxy/Server receives carrier packets on underlying interfaces with OAL destination set to its own ADM-ULA, it performs OAL reassembly if necessary to obtain the original IP packet.

The Proxy/Server next searches for a neighbor cache entry that matches the original IP destination and proceeds as follows:

- o if the original IP packet destination matches a neighbor cache entry, the Proxy/Server uses one or more "reachable" neighbor interfaces in the entry for packet forwarding using OAL encapsulation and fragmentation according to the cached link-layer address information. If the neighbor interface is in a different OMNI link segment, the Proxy/Server forwards the resulting carrier packets to a Bridge; otherwise, it forwards the carrier packets directly to the neighbor. If the neighbor is behind a NAT, the Proxy/Server instead forwards initial carrier packets via a Bridge while sending an NS(NUD) to the neighbor. When the Proxy/Server receives the NA(NUD), it can begin forwarding carrier packets directly to the neighbor the same as discussed in [Section 3.10.1](#) while sending additional NS(NUD) messages as necessary to maintain NAT state. Note that no direct bubbles are necessary since the Proxy/Server is by definition not located behind a NAT.
- o else, if the original IP destination matches a non-MNP route in the IP forwarding table or an ADM-LLA assigned to the Proxy/Server's OMNI interface, the Proxy/Server acting as a Relay presents the original IP packet to the network layer for local delivery or IP forwarding.
- o else, the Proxy/Server initiates address resolution as discussed in [Section 3.14](#), while retaining initial original IP packets in a small queue awaiting address resolution completion.

When the Proxy/Server receives a carrier packet with OAL destination set to an MNP-ULA that does not match the MSP, it accepts the carrier packet only if data origin authentication succeeds and if there is a network layer routing table entry for a GUA route that matches the MNP-ULA. If there is no route, the Proxy/Server drops the carrier packet; otherwise, it reassembles and decapsulates to obtain the original IP packet and acts as a Relay to present it to the network layer where it will be delivered according to standard IP forwarding.

When the Proxy/Server receives a carrier packet with OAL destination set to an MNP-ULA, it accepts the carrier packet only if data origin authentication succeeds and if there is a neighbor cache entry that matches the OAL destination. If the neighbor cache entry state is DEPARTED, the Proxy/Server inserts an ORH that encodes the MNP-ULA destination suffix and changes the OAL destination address to the ADM-ULA of the new Proxy/Server, then re-encapsulates the carrier packet and forwards it to a Bridge which will eventually deliver it to the new Proxy/Server.

If the neighbor cache state for the MNP-ULA is REACHABLE, the Proxy/Server forwards the carrier packets to the Client which then must reassemble. (Note that the Proxy/Server does not reassemble carrier

packets not explicitly addressed to its own ADM-ULA, since routing could direct some of the carrier packet of the same original IP packet through a different Proxy/Server.) In that case, the Client may receive fragments that are smaller than its link MTU but can still be reassembled; if this proves inefficient, the Client can in the future elect to employ the Proxy/Server as a ROR instead of serving in that role on its own behalf.

Note: Clients and their Proxy/Server peers can exchange original IP packets over ANET underlying interfaces without invoking the OAL, since the ANET is secured at the link and physical layers. By forwarding original IP packets without invoking the OAL, however, the Client and Proxy/Server can engage only in classical path MTU discovery since the packets are subject to loss and/or corruption due to the various per-link MTU limitations that may occur within the ANET. Moreover, the original IP packets do not include per-packet Identification values that can be used for data origin authentication and link-layer retransmission purposes, nor the OAL integrity check. The tradeoff therefore involves an assessment of the per-packet encapsulation overhead saved by bypassing the OAL vs. inheritance of classical network "brittleness".

Note: When a Proxy/Server receives a (non-OAL) original IP packet from an ANET Client, or a carrier packet with OAL destination set to its own ADM-ULA from any Client, the Proxy/Server reassembles if necessary then performs ROS functions on behalf of the Client. The Client may at some later time begin sending carrier packets to the OAL address of the actual target instead of the Proxy/Server, at which point it may begin functioning as an ROS on its own behalf and thereby "override" the Proxy/Server's ROS role.

Note: If the Proxy/Server has multiple original IP packets to send to the same neighbor, it can concatenate them in a single OAL super-packet [[I-D.templin-6man-omni-interface](#)].

3.10.3. Bridge Forwarding Algorithm

Bridges forward carrier packets the same as any IPv6 router. Bridges convey carrier packets and original IP packets that encapsulate IPv6 ND control messages or routing protocol control messages using security encapsulations, and may convey packets that encapsulate ordinary data without including security encapsulations. When the Bridge receives a carrier packet or an original IP packet, it removes the outer *NET header and searches for a forwarding table entry that matches the OAL destination address. The Bridge then processes the packet as follows:

- o if the packet is a carrier packet with a destination that matches its ADM-ULA Subnet Router Anycast address the Bridge processes the carrier packet locally before forwarding. The Bridge drops the carrier packet if it does not include an ORH; otherwise, for NA(NUD) messages the Bridge replaces the OMNI option Interface Attributes sub-option with information for its own interface while retaining the ifIndex value supplied by the NA(NUD) message source. The Bridge next examines the ORH FMT code. If the code indicates the destination is a Client on the open *NET (or, a Client behind a NAT for which NAT traversal procedures have already converged) the Bridge removes the ORH then writes the MNP-ULA formed from the ORH Destination Suffix into the OAL destination. The Bridge then re-encapsulates the carrier packet and forwards it to the ORH L2ADDR. For all other destination cases, the Bridge instead writes the ADM-ULA formed from the ORH SRT/LHS into the OAL destination address and forwards the carrier packet to the ADM-ULA Proxy/Server while invoking NAT traversal procedures the same as for Proxy/Servers if necessary, noting that no direct bubbles are necessary since only the target Client and not the Bridge is behind a NAT.
- o else, if the packet is a carrier packet with a destination that matches a forwarding table entry the Bridge forwards the carrier packet via a secured tunnel to the next hop. (If the destination matches an MSP without matching an MNP, however, the Bridge instead drops the packet and returns an ICMP Destination Unreachable message subject to rate limiting - see: [Section 3.11](#)).
- o else, if the packet is an original IP packet with a destination that matches one of the Bridge's own addresses, the Bridge submits the original IP packet for local delivery to support local applications such as routing protocols.
- o else, the Bridge drops the packet and returns an ICMP Destination Unreachable as above.

As for any IP router, the Bridge decrements the OAL IPv6 header Hop Limit when it forwards the carrier packet and drops the packet if the Hop Limit reaches 0. Therefore, when an OAL header is present only the Hop Limit in the OAL header is decremented and not the TTL/Hop Limit in the original IP packet header. Bridges do not insert OAL/ORH headers themselves; instead, they act as IPv6 routers and forward carrier packets based on their destination addresses.

Bridges forward packets received from a first segment without security encapsulations to the next segment also without including security encapsulations. Bridges forward packets received from a first segment with security encapsulations to the next segment also

including security encapsulations. Bridges use a single IPv6 routing table that always determines the same next hop for a given OAL destination whether or not security encapsulation is included.

3.11. OMNI Interface Error Handling

When an AERO node admits an original IP packet into the OMNI interface, it may receive link-layer or network-layer error indications.

A link-layer error indication is an ICMP error message generated by a router in the INET on the path to the neighbor or by the neighbor itself. The message includes an IP header with the address of the node that generated the error as the source address and with the link-layer address of the AERO node as the destination address.

The IP header is followed by an ICMP header that includes an error Type, Code and Checksum. Valid type values include "Destination Unreachable", "Time Exceeded" and "Parameter Problem" [[RFC0792](#)][RFC4443]. (OMNI interfaces ignore link-layer IPv4 "Fragmentation Needed" and IPv6 "Packet Too Big" messages for carrier packets that are no larger than the minimum/path MPS as discussed in [Section 3.9](#), however these messages may provide useful hints of probe failures during path MPS probing.)

The ICMP header is followed by the leading portion of the carrier packet that generated the error, also known as the "packet-in-error". For ICMPv6, [[RFC4443](#)] specifies that the packet-in-error includes: "As much of invoking packet as possible without the ICMPv6 packet exceeding the minimum IPv6 MTU" (i.e., no more than 1280 bytes). For ICMPv4, [[RFC0792](#)] specifies that the packet-in-error includes: "Internet Header + 64 bits of Original Data Datagram", however [[RFC1812](#)] [Section 4.3.2.3](#) updates this specification by stating: "the ICMP datagram SHOULD contain as much of the original datagram as possible without the length of the ICMP datagram exceeding 576 bytes".

The link-layer error message format is shown in Figure 5 (where, "L2" and "L3" refer to link-layer and network-layer, respectively):

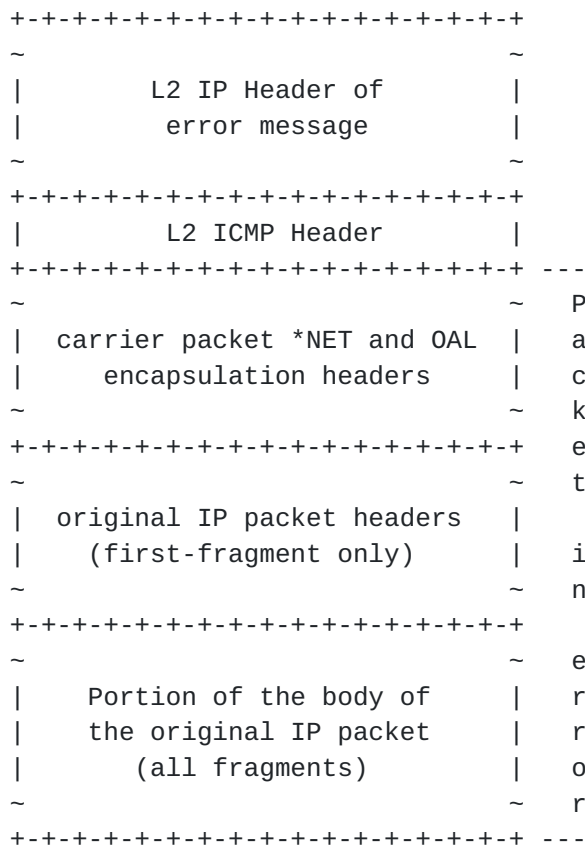


Figure 5: OMNI Interface Link-Layer Error Message Format

The AERO node rules for processing these link-layer error messages are as follows:

- o When an AERO node receives a link-layer Parameter Problem message, it processes the message the same as described as for ordinary ICMP errors in the normative references [[RFC0792](#)][RFC4443].
- o When an AERO node receives persistent link-layer Time Exceeded messages, the IP ID field may be wrapping before earlier fragments awaiting reassembly have been processed. In that case, the node should begin including integrity checks and/or institute rate limits for subsequent packets.
- o When an AERO node receives persistent link-layer Destination Unreachable messages in response to carrier packets that it sends to one of its neighbor correspondents, the node should process the message as an indication that a path may be failing, and optionally initiate NUD over that path. If it receives Destination Unreachable messages over multiple paths, the node should allow future carrier packets destined to the correspondent

to flow through a default route and re-initiate route optimization.

- o When an AERO Client receives persistent link-layer Destination Unreachable messages in response to carrier packets that it sends to one of its neighbor Proxy/Servers, the Client should mark the path as unusable and use another path. If it receives Destination Unreachable messages on many or all paths, the Client should associate with a new Proxy/Server and release its association with the old Proxy/Server as specified in [Section 3.16.5](#).
- o When an AERO Proxy/Server receives persistent link-layer Destination Unreachable messages in response to carrier packets that it sends to one of its neighbor Clients, the Proxy/Server should mark the underlying path as unusable and use another underlying path.
- o When an AERO Proxy/Server receives link-layer Destination Unreachable messages in response to a carrier packet that it sends to one of its permanent neighbors, it treats the messages as an indication that the path to the neighbor may be failing. However, the dynamic routing protocol should soon reconverge and correct the temporary outage.

When an AERO Bridge receives a carrier packet for which the network-layer destination address is covered by an MSP, the Bridge drops the packet if there is no more-specific routing information for the destination and returns a network-layer Destination Unreachable message subject to rate limiting. The Bridge writes the network-layer source address of the original IP packet as the destination address and uses one of its non link-local addresses as the source address of the message.

When an AERO node receives a carrier packet for which reassembly is currently congested, it returns a network-layer Packet Too Big (PTB) message as discussed in [[I-D.templin-6man-omni-interface](#)] (note that the PTB messages could indicate either "hard" or "soft" errors).

[3.12.](#) AERO Router Discovery, Prefix Delegation and Autoconfiguration

AERO Router Discovery, Prefix Delegation and Autoconfiguration are coordinated as discussed in the following Sections.

[3.12.1.](#) AERO Service Model

Each AERO Proxy/Server on the OMNI link is configured to facilitate Client prefix delegation/registration requests. Each Proxy/Server is provisioned with a database of MNP-to-Client ID mappings for all

Clients enrolled in the AERO service, as well as any information necessary to authenticate each Client. The Client database is maintained by a central administrative authority for the OMNI link and securely distributed to all Proxy/Servers, e.g., via the Lightweight Directory Access Protocol (LDAP) [[RFC4511](#)], via static configuration, etc. Clients receive the same service regardless of the Proxy/Servers they select.

AERO Clients and Proxy/Servers use ND messages to maintain neighbor cache entries. AERO Proxy/Servers configure their OMNI interfaces as advertising NBMA interfaces, and therefore send unicast RA messages with a short Router Lifetime value (e.g., ReachableTime seconds) in response to a Client's RS message. Thereafter, Clients send additional RS messages to keep Proxy/Server state alive.

AERO Clients and Proxy/Servers include prefix delegation and/or registration parameters in RS/RA messages (see [[I-D.templin-6man-omni-interface](#)]). The ND messages are exchanged between Client and Proxy/Server according to the prefix management schedule required by the service. If the Client knows its MNP in advance, it can employ prefix registration by including its MNP-LLA as the source address of an RS message and with an OMNI option with valid prefix registration information for the MNP. If the Proxy/Server accepts the Client's MNP assertion, it injects the MNP into the routing system and establishes the necessary neighbor cache state. If the Client does not have a pre-assigned MNP, it can instead employ prefix delegation by including the unspecified address (::) as the source address of an RS message and with an OMNI option with prefix delegation parameters to request an MNP.

The following sections specify the Client and Proxy/Server behavior.

3.12.2. AERO Client Behavior

AERO Clients discover the addresses of Proxy/Servers in a similar manner as described in [[RFC5214](#)]. Discovery methods include static configuration (e.g., from a flat-file map of Proxy/Server addresses and locations), or through an automated means such as Domain Name System (DNS) name resolution [[RFC1035](#)]. Alternatively, the Client can discover Proxy/Server addresses through a layer 2 data link login exchange, or through a unicast RA response to a multicast/anycast RS as described below. In the absence of other information, the Client can resolve the DNS Fully-Qualified Domain Name (FQDN) "linkupnetworks.[domainname]" where "linkupnetworks" is a constant text string and "[domainname]" is a DNS suffix for the OMNI link (e.g., "example.com").

To associate with a Proxy/Server, the Client acts as a requesting router to request MNPs. The Client prepares an RS message with prefix management parameters and includes a Nonce and Timestamp option if the Client needs them to correlate RA replies. If the Client already knows the Proxy/Server's ADM-LLA, it includes the LLA as the network-layer destination address; otherwise, the Client includes the (link-local) All-Routers multicast as the network-layer destination. If the Client already knows its own MNP-LLA, it can use the MNP-LLA as the network-layer source address and include an OMNI option with prefix registration information. Otherwise, the Client uses the unspecified address (::) as the network-layer source address and includes prefix delegation parameters in the OMNI option (see: [\[I-D.templin-6man-omni-interface\]](#)). The Client includes Interface Attributes corresponding to the underlying interface over which it will send the RS message, and MAY include additional Interface Attributes specific to other underlying interfaces.

For INET Clients, the Client must ensure that the RS message is no larger than the minimum/path MPS for the chosen Proxy/Server and must include a security signature that the Proxy/Server can verify. The Client next applies OAL encapsulation such that the entire RS message fits within an OAL First Fragment (i.e., as an atomic fragment) while including an unpredictable OAL Identification number selected per [\[RFC7739\]](#) that will serve as the window start Identification value for future packets it will send/accept with its own MNP-ULA and the Proxy/Server's ADM-ULA as the OAL addresses. (The Proxy/Server in turn caches the Identification number as start value for future packets it will accept/send with its own ADM-ULA and the Client's MNP-ULA as the OAL addresses.)

The Client then sends the RS message (either directly via Direct interfaces, via a VPN for VPNed interfaces, via an access router for ANET interfaces or via INET encapsulation for INET interfaces) while using OAL encapsulation/fragmentation, then waits for an RA message reply (see [Section 3.12.3](#)). The Client retries up to MAX_RTR_SOLICITATIONS times until an RA is received. If the Client receives no RAs, or if it receives an RA with Router Lifetime set to 0, the Client SHOULD abandon attempts through the first Proxy/Server and try another Proxy/Server. Otherwise, the Client processes the prefix information found in the RA message.

When the Client processes an RA, it first performs OAL reassembly and decapsulation then creates a neighbor cache entry with the Proxy/Server's ADM-LLA as the network-layer address and the Proxy/Server's encapsulation and/or link-layer addresses as the link-layer address. The Client next records the RA Router Lifetime field value in the neighbor cache entry as the time for which the Proxy/Server has committed to maintaining the MNP in the routing system via this

underlying interface, and caches the other RA configuration information including Cur Hop Limit, M and O flags, Reachable Time and Retrans Timer. The Client then autoconfigures MNP-LLAs for any delegated MNPs and assigns them to the OMNI interface. The Client also caches any MSPs included in Route Information Options (RIOs) [[RFC4191](#)] as MSPs to associate with the OMNI link, and assigns the MTU value in the MTU option to the underlying interface.

The Client then registers additional underlying interfaces with the Proxy/Server by sending RS messages via each additional interface as described above. The RS messages include the same parameters as for the initial RS/RA exchange, but with destination address set to the Proxy/Server's ADM-LLA. The Client finally sub-delegates the MNPs to its attached EUNs and/or the Client's own internal virtual interfaces as described in [[I-D.templin-v6ops-pdhost](#)] to support the Client's downstream attached "Internet of Things (IoT)". The Client then sends additional RS messages over each underlying interface before the Router Lifetime received for that interface expires.

After the Client registers its underlying interfaces, it may wish to change one or more registrations, e.g., if an interface changes address or becomes unavailable, if QoS preferences change, etc. To do so, the Client prepares an RS message to send over any available underlying interface as above. The RS includes an OMNI option with prefix registration/delegation information, with Interface Attributes specific to the selected underlying interface, and with any additional Interface Attributes specific to other underlying interfaces. When the Client receives the Proxy/Server's RA response, it has assurance that the Proxy/Server has been updated with the new information.

If the Client wishes to discontinue use of a Proxy/Server it issues an RS message over any underlying interface with an OMNI option with a prefix release indication. When the Proxy/Server processes the message, it releases the MNP, sets the neighbor cache entry state for the Client to DEPARTED and returns an RA reply with Router Lifetime set to 0. After a short delay (e.g., 2 seconds), the Proxy/Server withdraws the MNP from the routing system.

3.12.3. AERO Proxy/Server Behavior

AERO Proxy/Servers act as IP routers and support a prefix delegation/registration service for Clients. Proxy/Servers arrange to add their ADM-LLAs to a static map of Proxy/Server addresses for the link and/or the DNS resource records for the FQDN "linkupnetworks.[domainname]" before entering service. Proxy/Server addresses should be geographically and/or topologically referenced, and made available for discovery by Clients on the OMNI link.

When a Proxy/Server receives a prospective Client's RS message on its OMNI interface, it SHOULD return an immediate RA reply with Router Lifetime set to 0 if it is currently too busy or otherwise unable to service the Client. Otherwise, the Proxy/Server performs OAL reassembly and decapsulation, then authenticates the RS message and processes the prefix delegation/registration parameters. The Proxy/Server first determines the correct MNPs to provide to the Client by processing the MNP-LLA prefix parameters and/or the DHCPv6 OMNI sub-option. When the Proxy/Server returns the MNPs, it also creates a forwarding table entry for the MNP-ULA corresponding to each MNP so that the MNPs are propagated into the routing system (see: [Section 3.2.3](#)). For IPv6, the Proxy/Server creates an IPv6 forwarding table entry for each MNP. For IPv4, the Proxy/Server creates an IPv6 forwarding table entry with the IPv4-compatibility MNP-ULA prefix corresponding to the IPv4 address.

The Proxy/Server next creates a neighbor cache entry for the Client using the base MNP-LLA as the network-layer address and with lifetime set to no more than the smallest prefix lifetime. Next, the Proxy/Server updates the neighbor cache entry by recording the information in each Interface Attributes sub-option in the RS OMNI option. The Proxy/Server also records the actual OAL/*NET addresses in the neighbor cache entry. For RS messages encapsulated as carrier packets, the Proxy/Server also records the OAL Identification number as the starting value for the window of future packets it will send/accept with its own ADM-ULA and the Client's MNP-ULA as the OAL addresses. (The Client in turn caches the Identification number as start value for future packets it will accept/send with its own MNP-ULA and the Proxy/Server's ADM-ULA as the OAL addresses.)

Next, the Proxy/Server prepares an RA message using its ADM-LLA as the network-layer source address and the network-layer source address of the RS message as the network-layer destination address. The Proxy/Server sets the Router Lifetime to the time for which it will maintain both this underlying interface individually and the neighbor cache entry as a whole. The Proxy/Server also sets Cur Hop Limit, M and O flags, Reachable Time and Retrans Timer to values appropriate for the OMNI link. The Proxy/Server includes the MNPs, any other prefix management parameters and an OMNI option with no Interface Attributes but with an Origin Indication sub-option per [\[I-D.templin-6man-omni-interface\]](#) with the mapped and obfuscated Port Number and IP address corresponding to the Client's own INET address in the case of INET Clients or to the Proxy/Server's INET-facing address for all other Clients. The Proxy/Server then includes one or more RIOs that encode the MSPs for the OMNI link, plus an MTU option (see [Section 3.9](#)). The Proxy/Server finally forwards the message to the Client using OAL encapsulation/fragmentation as necessary with an OAL Identification value that matches the RS.

After the initial RS/RA exchange, the Proxy/Server maintains a ReachableTime timer for each of the Client's underlying interfaces individually (and for the Client's neighbor cache entry collectively) set to expire after ReachableTime seconds. If the Client (or Proxy) issues additional RS messages, the Proxy/Server sends an RA response and resets ReachableTime. If the Proxy/Server receives an ND message with a prefix release indication it sets the Client's neighbor cache entry to the DEPARTED state and withdraws the MNP from the routing system after a short delay (e.g., 2 seconds). If ReachableTime expires before a new RS is received on an individual underlying interface, the Proxy/Server marks the interface as DOWN. If ReachableTime expires before any new RS is received on any individual underlying interface, the Proxy/Server sets the neighbor cache entry state to STALE and sets a 10 second timer. If the Proxy/Server has not received a new RS or ND message with a prefix release indication before the 10 second timer expires, it deletes the neighbor cache entry and withdraws the MNP from the routing system.

The Proxy/Server processes any ND messages pertaining to the Client and returns an NA/RA reply in response to solicitations. The Proxy/Server may also issue unsolicited RA messages, e.g., with reconfigure parameters to cause the Client to renegotiate its prefix delegation/registrations, with Router Lifetime set to 0 if it can no longer service this Client, etc. Finally, If the neighbor cache entry is in the DEPARTED state, the Proxy/Server deletes the entry after DepartTime expires.

Note: Clients SHOULD notify former Proxy/Servers of their departures, but Proxy/Servers are responsible for expiring neighbor cache entries and withdrawing routes even if no departure notification is received (e.g., if the Client leaves the network unexpectedly). Proxy/Servers SHOULD therefore set Router Lifetime to ReachableTime seconds in solicited RA messages to minimize persistent stale cache information in the absence of Client departure notifications. A short Router Lifetime also ensures that proactive RS/RA messaging between Clients and Proxy/Servers will keep any NAT state alive (see above).

Note: All Proxy/Servers on an OMNI link MUST advertise consistent values in the RA Cur Hop Limit, M and O flags, Reachable Time and Retrans Timer fields the same as for any link, since unpredictable behavior could result if different Proxy/Servers on the same link advertised different values.

3.12.3.1. DHCPv6-Based Prefix Registration

When a Client is not pre-provisioned with an MNP-LLA, it will need for the Proxy/Server to select one or more MNPs on its behalf and set up the correct state in the AERO routing service. (A Client with a

pre-provisioned MNP may also request the Proxy/Server to select additional MNPs.) The DHCPv6 service [[RFC8415](#)] is used to support this requirement.

When a Client needs to have the Proxy/Server select MNPs, it sends an RS message with source address set to the unspecified address (::) and with an OMNI option that includes a DHCPv6 message sub-option with DHCPv6 Prefix Delegation (DHCPv6-PD) parameters. When the Proxy/Server receives the RS message, it extracts the DHCPv6-PD message from the OMNI option.

The Proxy/Server then acts as a "Proxy DHCPv6 Client" in a message exchange with the locally-resident DHCPv6 server, which delegates MNPs and returns a DHCPv6-PD Reply message. (If the Proxy/Server wishes to defer creation of MN state until the DHCPv6-PD Reply is received, it can instead act as a Lightweight DHCPv6 Relay Agent per [[RFC6221](#)] by encapsulating the DHCPv6-PD message in a Relay-forward/reply exchange with Relay Message and Interface ID options.)

When the Proxy/Server receives the DHCPv6-PD Reply, it adds a route to the routing system and creates an MNP-LLA based on the delegated MNP. The Proxy/Server then sends an RA back to the Client with the (newly-created) MNP-LLA as the destination address and with the DHCPv6-PD Reply message coded in the OMNI option. When the Client receives the RA, it creates a default route, assigns the Subnet Router Anycast address and sets its MNP-LLA based on the delegated MNP.

Note: See [[I-D.templin-6man-omni-interface](#)] for an MNP delegation alternative in which the Client can optionally avoid including a DHCPv6 message sub-option. Namely, when the Client requests a single MNP it can set the RS source to the unspecified address (::) and include a Node Identification sub-option and Preflen in the OMNI option (but with no DHCPv6 message sub-option). When the Proxy/Server receives the RS message, it forwards a self-generated DHCPv6 Solicit message to the DHCPv6 server on behalf of the Client. When the Proxy/Server receives the DHCPv6 Reply, it prepares an RA message with an OMNI option with Preflen information (but with no DHCPv6 message sub-option), then places the (newly-created) MNP-LLA in the RA destination address and returns the message to the Client.

3.13. The AERO Proxy Function

Clients connect to the OMNI link via Proxy/Servers, with one Proxy/Server for each underlying interface. Each of the Client's Proxy/Servers must be informed of all of the Client's additional underlying interfaces. For Clients on Direct and VPned underlying interfaces the Proxy/Server "A" for that interface is directly connected, for

Clients on ANET underlying interfaces Proxy/Server "A" is located on the ANET/INET boundary, and for Clients on INET underlying interfaces Proxy/Server "A" is located somewhere in the connected Internetwork. When the Client registers with Proxy/Server "A", it must also report the registration to any other Proxy/Servers for other underlying interfaces "B", "C", "D", etc. for which an underlying interface relationship has already been established. The Proxy/Server satisfies these requirements as follows:

- o when Proxy/Server "A" receives an RS message from a new Client, it first authenticates the message then examines the network-layer destination address. If the destination address is Proxy/Server "A"'s ADM-LLA or (link-local) All-Routers multicast, Proxy/Server "A" creates a proxy neighbor cache entry and caches the Client link-layer addresses along with the OMNI option information and any other identifying information including OAL Identification values, Client Identifiers, Nonce values, etc. If the RS message destination was the ADM-LLA of a different Proxy/Server "B" (or, if the OMNI option included an MS-Register sub-option with the ADM-LLA of a different Proxy/Server "B"), Proxy/Server "A" encapsulates a proxied version of the RS message in an OAL header with source set to Proxy/Server "A"'s ADM-ULA and destination set to Proxy/Server "B"'s ADM-ULA. Proxy/Server "A" also includes an OMNI header with an Interface Attributes option that includes its own INET address plus a unique UDP Port Number for this Client, then forwards the message into the OMNI link spanning tree. (Note: including a unique Port Number allows Proxy/Server "B" to distinguish different Clients located behind the same Proxy/Server "A" at the link-layer, whereas the link-layer addresses would otherwise be indistinguishable.)
- o when the Proxy/Server "B" receives the RS, it authenticates the message then creates or updates a neighbor cache entry for the Client with Proxy/Server "A"'s ADM-ULA, INET address and UDP Port Number as the link-layer address information. Proxy/Server "B" then sends an RA message back to Proxy/Server "A" via the spanning tree.
- o when Proxy/Server "A" receives the RA, it authenticates the message and matches it with the proxy neighbor cache entry created by the RS. Proxy/Server "A" then caches the prefix information as a mapping from the Client's MNPs to the Client's link-layer address, caches the Proxy/Server's advertised Router Lifetime and sets the neighbor cache entry state to REACHABLE. The Proxy/Server then optionally rewrites the Router Lifetime and forwards the (proxied) message to the Client. The Proxy/Server finally includes an MTU option (if necessary) with an MTU to use for the underlying ANET interface.

- o The Client repeats this process with each Proxy/Server "B", "C", "D" for each of its additional underlying interfaces.

After the initial RS/RA exchanges each Proxy/Server forwards any of the Client's carrier packets for which there is no matching neighbor cache entry to a Bridge using OAL encapsulation with its own ADM-ULA as the source and the MNP-ULA corresponding to the Client as the destination. The Proxy/Server instead forwards any carrier packets destined to a neighbor cache target directly to the target according to the OAL/link-layer information - the process of establishing neighbor cache entries is specified in [Section 3.14](#).

While the Client is still associated with each Proxy/Server "A", "A" can send NS, RS and/or unsolicited NA messages to update the neighbor cache entries of other AERO nodes on behalf of the Client and/or to convey QoS updates. This allows for higher-frequency Proxy-initiated RS/RA messaging over well-connected INET infrastructure supplemented by lower-frequency Client-initiated RS/RA messaging over constrained ANET data links.

If any Proxy/Server "B", "C", "D" ceases to send solicited advertisements, Proxy/Server "A" sends unsolicited RAs to the Client with destination set to (link-local) All-Nodes multicast and with Router Lifetime set to zero to inform Clients that a Proxy/Server has failed. Although Proxy/Server "A" can engage in ND exchanges on behalf of the Client, the Client can also send ND messages on its own behalf, e.g., if it is in a better position than "A" to convey QoS changes, etc. The ND messages sent by the Client include the Client's MNP-LLA as the source in order to differentiate them from the ND messages sent by Proxy/Server "A".

If the Client becomes unreachable over an underlying interface, Proxy/Server "A" sets the neighbor cache entry state to DEPARTED and retains the entry for DepartTime seconds. While the state is DEPARTED, Proxy/Server "A" forwards any carrier packets destined to the Client to a Bridge via OAL/ORH encapsulation. When DepartTime expires, Proxy/Server "A" deletes the neighbor cache entry and discards any further carrier packets destined to this (now forgotten) Client.

In some ANETs that employ a Proxy/Server, the Client's MNP can be injected into the ANET routing system. In that case, the Client can send original IP packets without invoking the OAL so that the ANET routing system transports the original IP packets to the Proxy. This can be very beneficial, e.g., if the Client connects to the ANET via low-end data links such as some aviation wireless links.

If the ANET first-hop access router is on the same underlying link as the Client and recognizes the AERO/OMNI protocol, the Client can avoid OAL encapsulation for both its control and data messages. When the Client connects to the link, it can send an unencapsulated RS message with source address set to its own MNP-LLA (or to a Temporary LLA), and with destination address set to the ADM-LLA of the Client's selected Proxy/Server or to (link-local) All-Routers multicast. The Client includes an OMNI option formatted as specified in [\[I-D.templin-6man-omni-interface\]](#). The Client then sends the unencapsulated RS message, which will be intercepted by the AERO-Aware access router.

The ANET access router then performs OAL encapsulation on the RS message and forwards it to a Proxy/Server at the ANET/INET boundary. When the access router and Proxy/Server are one and the same node, the Proxy/Server would share and underlying link with the Client but its message exchanges with outside correspondents would need to pass through a security gateway at the ANET/INET border. The method for deploying access routers and Proxys (i.e. as a single node or multiple nodes) is an ANET-local administrative consideration.

Note: The Proxy/Server can apply packing as discussed in [\[I-D.templin-6man-omni-interface\]](#) if an opportunity arises to concatenate multiple original IP packets that will be destined to the same neighbor.

[3.13.1. Detecting and Responding to Proxy/Server Failures](#)

In environments where fast recovery from Proxy/Server failure is required, Proxy/Server "A" SHOULD use proactive Neighbor Unreachability Detection (NUD) to track peer Proxy/Server "B" reachability in a similar fashion as for Bidirectional Forwarding Detection (BFD) [\[RFC5880\]](#). Proxy/Server "A" can then quickly detect and react to failures so that cached information is re-established through alternate paths. The NUD control messaging is carried only over well-connected ground domain networks (i.e., and not low-end aeronautical radio links) and can therefore be tuned for rapid response.

Proxy/Server "A" performs proactive NUD with peer Proxy/Server "B" for which there are currently active Clients by sending continuous NS messages in rapid succession, e.g., one message per second. Proxy/Server "A" sends the NS message via the spanning tree with its own ADM-LLA as the source and the ADM-LLA of the peer Proxy/Server "B" as the destination. When Proxy/Server "A" is also sending RS messages to the peer Proxy/Server "B" on behalf of ANET Clients, the resulting RA responses can be considered as equivalent hints of forward progress. This means that Proxy/Server "B" need not also send a

periodic NS if it has already sent an RS within the same period. If the peer Proxy/Server "B" fails (i.e., if "A" ceases to receive advertisements), Proxy/Server "A" can quickly inform Clients by sending multicast RA messages on the ANET interface.

Proxy/Server "A" sends RA messages on the ANET interface with source address set to Proxy/Server "B"'s address, destination address set to (link-local) All-Nodes multicast, and Router Lifetime set to 0. Proxy/Server "A" SHOULD send MAX_FINAL_RTR_ADVERTISEMENTS RA messages separated by small delays [[RFC4861](#)]. Any Clients on the ANET that had been using the failed Proxy/Server "B" will receive the RA messages and associate with a new Proxy/Server.

3.13.2. Point-to-Multipoint Proxy/Server Coordination

In environments where Client messaging over ANETs is bandwidth-limited and/or expensive, Clients can enlist the services of Proxy/Server "A" to coordinate with multiple Proxy/Servers "B", "C", "D" etc. in a single RS/RA message exchange. The Client can send a single RS message to (link-local) All-Routers multicast that includes the ID's of multiple Proxy/Servers in MS-Register sub-options of the OMNI option.

When Proxy/Server "A" receives the RS and processes the OMNI option, it sends a separate RS to each MS-Register Proxy/Server ID. When Proxy/Server "A" receives an RA, it can optionally return an immediate "singleton" RA to the Client or record the Proxy/Server's ID for inclusion in a pending "aggregate" RA message. Proxy/Server "A" can then return aggregate RA messages to the Client including multiple Proxy/Server IDs in order to conserve bandwidth. Each RA includes a proper subset of the Proxy/Server IDs from the original RS message, and Proxy/Server "A" must ensure that the message contents of each RA are consistent with the information received from the (aggregated) additional Proxy/Servers.

Clients can thereafter employ efficient point-to-multipoint Proxy/Server coordination under the assistance of Proxy/Server "A" to reduce the number of messages sent over the ANET while enlisting the support of multiple Proxy/Servers for fault tolerance. Clients can further include MS-Release sub-options in IPv6 ND messages to request Proxy/Server "A" to release from former Proxy/Servers via the procedures discussed in [Section 3.16.5](#).

The OMNI interface specification [[I-D.templin-6man-omni-interface](#)] provides further discussion of the RS/RA messaging involved in point-to-multipoint coordination.

3.14. AERO Address Resolution

While carrier packets are flowing between a source and target node, route optimization SHOULD be used. Route optimization is initiated by the first eligible Route Optimization Source (ROS) closest to the source as follows:

- o For Clients on VPned and Direct interfaces, the Proxy/Server is the ROS.
- o For Clients on ANET interfaces, either the Client or the Proxy/Server may be the ROS.
- o For Clients on INET interfaces, the Client itself is the ROS.
- o For correspondent nodes on INET/EUN interfaces serviced by a Relay, the Relay is the ROS.

The route optimization procedure is conducted between the ROS and with the target Proxy/Server/Relay or the target Client itself acting as a Route Optimization Responder (ROR) in the same manner as for IPv6 ND Address Resolution and using the same NS/NA messaging. The target may either be a MNP Client serviced by a Proxy/Server, or a non-MNP correspondent reachable via a Relay.

The procedures are specified in the following sections.

3.14.1. Route Optimization Initiation

When an original IP packet from a source node destined to a target node arrives, the ROS checks for a neighbor cache entry for an MNP-LLA that matches the target destination. If there is a neighbor cache entry in the REACHABLE state, the ROS invokes the OAL and forwards the resulting carrier packets according to the cached state and returns from processing. Otherwise, if there is already a neighbor cache entry in the STALE state the ROS continues, and if there or no neighbor cache entry the ROS creates one in the INCOMPLETE state.

The ROS next places the original IP packet on a short queue then sends an NS message for Address Resolution (NS(AR)) to receive a solicited NA(AR) message from a ROR. The NS(AR) message must be no larger than the minimum/path MPS so that its entire contents will fit in an OAL first fragment (i.e., as an atomic fragment). The ROS prepares an NS(AR) that includes:

- o the LLA of the ROS as the source address.

- o the MNP-LLA corresponding to the original IP packet's destination as the Target Address, e.g., for 2001:db8:1:2::10:2000 the Target Address is fe80::2001:db8:1:2.
- o the Solicited-Node multicast address [[RFC4291](#)] formed from the lower 24 bits of the original IP packet's destination as the destination address, e.g., for 2001:db8:1:2::10:2000 the NS destination address is ff02:0:0:0:0:1:ff10:2000.

The NS(AR) message also includes an OMNI option with an Interface Attributes entry for the sending interface, and with Prefix Length set to the length associated with the ROS's LLA. The ROS then submits the NS(AR) message for OAL encapsulation and fragmentation, with OAL source set to its own ULA and OAL destination set to the ULA corresponding to the target, and with an unpredictable initial Identification value. The source caches the initial Identification value in the (newly-created) neighbor cache entry as the starting sequence number for the "send" window for future carrier packets sent to this target.

The ROS then sends the resulting carrier packet into the spanning tree without decrementing the network-layer TTL/Hop Limit field. (When the ROS is an INET Client, it instead must first sign the NS(AR) message and send the resulting carrier packet to the ADM-ULA of one of its current Proxy/Servers which then verifies the NS(AR) signature and forwards the carrier packet into the spanning tree on behalf of the Client.)

3.14.2. Relaying the NS(AR) *NET Packet(s)

When the Bridge receives the carrier packet containing the RS from the ROS, it discards the *NET headers and determines the next hop by consulting its standard IPv6 forwarding table for the OAL header destination address. The Bridge then decrements the OAL header Hop-Limit, re-encapsulates the carrier packet and forwards it via the spanning tree the same as for any IPv6 router, where it may traverse multiple OMNI link segments. The final-hop Bridge in the spanning tree will deliver the carrier packet via a secured tunnel to a Proxy/Server or Relay that services the target.

3.14.3. Processing the NS(AR) and Sending the NA(AR)

When the target Proxy/Server/Relay receives the carrier packet, it examines the enclosed atomic fragment to determine that it contains an NS(AR) then examines the NS(AR) target to determine whether it has a matching neighbor cache entry and/or non-MNP route. If there is no match, the Proxy/Server/Relay drops the message. Otherwise, the Proxy/Server continues processing as follows:

- o if the NS(AR) target matches a Client neighbor cache entry in the DEPARTED state, the Proxy/Server inserts an ORH with destination prefix set to the lower 64 bits of the Client's MNP-ULA and sets the destination address to the ADM-ULA of the Client's new Proxy/Server. The (old) Proxy/Server then re-encapsulates the carrier packet, forwards it into the spanning tree and returns from processing.
- o If the NS(AR) target matches a Client neighbor cache entry in the REACHABLE state, the Proxy/Server proceeds according to whether the Client requires Proxy services. For "dependent" Clients (e.g., those on low-end ANETs, Direct Links, VPN links, etc.) the Proxy/Server nominates itself as the ROR; otherwise, the Proxy/Server re-encapsulates the carrier packet, includes an authentication signature if necessary, and forwards it to the target Client which will act as an ROR on its own behalf.
- o If the NS(AR) target matches one of its non-MNP routes, the Relay acts the ROR.

The ROR next checks for a neighbor cache entry that matches the NS(AR) source LLA. If there is a neighbor cache entry in the REACHABLE state, the ROR accepts the NS(AR) only if the OAL Identification value is within the "accept" window for this NS(AR) source LLA or if the NS(AR) was forwarded securely. If the NS(AR) is authentic and the OAL Identification is outside of the current "accept", the ROR resets the current "accept" window start to the new OAL Identification value while remembering the old value for a short time in case any carrier packets are still in flight. If there was no neighbor cache entry in the REACHABLE state, the ROR instead creates an entry for the NS(AR) source LLA if necessary with state set to STALE. If the ROR is a Proxy/Server, it next adds a Report List entry to the target Client neighbor cache entry for the NS(AR) source LLA while caching the OAL Identification value in the (newly-created) neighbor cache entry as the starting sequence number for the "accept" window for future carrier packets received from this LLA source.

The ROR then prepares a (solicited) NA(AR) message to send back to the ROS using the same Identification value received in the NS(AR) (unlike the NS(AR), the NA(AR) need not fit in a single OAL fragment). The ROR sets the NA(AR) source address to its own LLA, sets the destination address to the NS(AR) LLA source address and sets the Target Address to the MNP-LLA associated with the target Client. The ROR then includes an OMNI option with Prefix Length set to the length associated with the Target Address. (Note that the NA(AR) Target Address may be truncated in relation to the NS(AR) Target Address. For example, if the NS(AR) Target Address was

fe80::2001:db8:1:2 with implied Prefix Length 128, then the corresponding NA(AR) could include a Target Address of fe80::2001:db8:1:0 and with Prefix Length 112.)

If the NS(AR) target was an MNP Client, the ROR next includes Interface Attributes in the OMNI option for each of the target's underlying interfaces with current information for each interface and includes an authentication signature if necessary. If the ROR is a Proxy/Server/Relay, it then sets the S/T-ifIndex field in the OMNI header set to 0. If the ROR is the Client itself, it instead sets S/T-ifIndex to the index of the underlying interface that will send the NS(AR).

For each Interface Attributes sub-option, the ROR sets the L2ADDR according to the Proxy/Server's INET address for VPNed or Direct interfaces, to the INET address of the Proxy/Server for proxied interfaces or to the Client's INET address for INET interfaces. The ROR then includes the lower 32 bits of the Proxy/Server's ADM-ULA as the LHS, encodes the ADM-ULA prefix length code in the SRT field and sets the FMT code accordingly as specified in [Section 3.3](#).

The ROR then sets the NA(AR) message R flag to 1 (as a router) and S flag to 1 (as a response to a solicitation). If the ROR is the Client itself, it sets the O flag to 1; if the ROR is the Proxy/Server, it instead sets the O flag to 0 (as a proxy). The ROR finally submits the NA(AR) for OAL encapsulation with source set to its own ULA and destination set to the source ULA of the NS(AR) message, then performs OAL fragmentation using the same Identification value that appeared in the NS(AR) and securely forwards the resulting (*NET-encapsulated) carrier packets without decrementing the network-layer TTL/Hop Limit field. (When the ROR is an INET Client, it includes an authentication signature to be verified by its Proxy/Server; when the ROR is a Proxy/Server, it forwards the carrier packets over the secured spanning tree to a Bridge.)

[3.14.4. Relaying the NA\(AR\)](#)

When the Bridge receives the carrier packets from the ROR, it discards the *NET header and determines the next hop by consulting its standard IPv6 forwarding table for the OAL header destination address. The Bridge then decrements the OAL header Hop-Limit, re-encapsulates the carrier packet and forwards it via the spanning tree the same as for any IPv6 router, where it may traverse multiple OMNI link segments. The final-hop Bridge in the spanning tree will deliver the carrier packet via a secured tunnel to a Proxy/Server for the ROS.

3.14.5. Processing the NA(AR)

When the ROS receives the NA(AR) message, it first searches for a neighbor cache entry with an LLA that matches the NA(AR) Target Address. If there is an entry in the INCOMPLETE or STALE state, the ROS matches the OAL Identification value with the value it had included in the corresponding NS(AR). If the values match, the ROS processes the message the same as for standard IPv6 Address Resolution [[RFC4861](#)]. In the process, it caches the LLA corresponding to the Target Address and all information found in the OMNI option in the neighbor cache entry for the target. The ROS finally sets the neighbor cache entry state to REACHABLE and sets its lifetime to ReachableTime seconds. (When the ROS is a Client, the solicited NA(AR) message will first be delivered via the spanning tree to one of its current Proxy/Servers, which then securely forwards the message to the Client. If the Client is on an ANET, ANET physical security and protected spectrum ensures security; if the Client is on the open ANET, the Proxy/Server must include an authentication signature.)

3.14.6. Route Optimization Maintenance

Following route optimization, the ROS forwards future carrier packets with user data destined to the target via the addresses found in the cached link-layer information and with a monotonically-incrementing Identification value for each OAL packet. The route optimization is shared by all sources that send original IP packets to the target via the ROS, i.e., and not just the source on behalf of which the route optimization was initiated. Note that route optimization is performed only for original IP packets that contain user data, and not for those that contain other IPv6 ND control messages.

While the ROS continues to forward additional original IP packets destined to the target, it sends additional NS(AR) messages to the ROR before ReachableTime expires to receive a fresh NA(AR) message the same as described in the previous sections (route optimization refreshment strategies are an implementation matter, with a non-normative example given in [Appendix A.1](#)). The ROS may supply a new unpredictable Identification value if it wishes to reset the neighbor's "accept" Identification window. If the ROS is an INET Client, it must sign the NS(AR) message so that the Proxy/Server can authenticate.

The ROS uses the cached ULA of the ROR (i.e., either the ADM-ULA of the Proxy/Server or the MNP-ULA of the Client itself) as the NS(AR) OAL destination address, and sends up to MAX_MULTICAST_SOLICIT NS(AR) messages separated by 1 second until an NA(AR) is received. If no NA(AR) is received, the ROS assumes that the current ROR has become

unreachable and deletes the target neighbor cache entry. Subsequent original IP packets will trigger a new route optimization event (see: [Section 3.14.1](#)).

If an NA(AR) is received, the ROS then updates the neighbor cache entry to refresh ReachableTime, while (for MNP destinations) the ROR adds or updates the ROS address to the target's Report List and with time set to ReportTime. While no carrier packets are flowing, the ROS instead allows ReachableTime for the neighbor cache entry to expire. When ReachableTime expires, the ROS deletes the neighbor cache entry. Any future carrier packets flowing through the ROS will again trigger a new route optimization.

The ROS may also receive unsolicited NA messages from the ROR at any time (see: [Section 3.16](#)). If there is a neighbor cache entry for the target and the carrier packet(s) containing the unsolicited NA include an Identification value within the current "send" window, the ROS updates the link-layer information but does not update ReachableTime since the receipt of an unsolicited NA does not confirm that any forward paths are working. If there is no neighbor cache entry or the identification value is outside the window, the ROS simply discards the unsolicited NA.

In this arrangement, the ROS holds a neighbor cache entry with only a "send" Identification window value for the target, while the ROR holds a neighbor cache entry with only an "accept" Identification window value for the ROS. The route optimization neighbor relationship is therefore asymmetric and unidirectional. If the target node also has carrier packets to send back to the source node, then a separate route optimization procedure is performed in the reverse direction. But, there is no requirement that the forward and reverse paths be symmetric.

[3.15](#). Neighbor Unreachability Detection (NUD)

AERO nodes perform Neighbor Unreachability Detection (NUD) per [[RFC4861](#)] either reactively in response to persistent link-layer errors (see [Section 3.11](#)) or proactively to confirm reachability and/or establish NAT state. The NUD algorithm is based on periodic control message exchanges. The algorithm may further be seeded by ND hints of forward progress, but care must be taken to avoid inferring reachability based on spoofed information. For example, authentic IPv6 ND message exchanges may be considered as acceptable hints of forward progress, while spurious random packets should not be.

AERO nodes can use standard NS/NA(NUD) exchanges sent over the OMNI link spanning tree to securely test reachability without risk of DoS attacks from nodes pretending to be a neighbor. These NS/NA(NUD)

messages use the unicast LLAs and ULAs of the two parties involved in the NUD test the same as for standard IPv6 ND over the secured spanning tree, however a means for an ROS to test the unsecured target route optimized paths is also necessary.

When an ROR directs an ROS to a target neighbor with one or more link-layer addresses, the ROS can proactively test each such unsecured route optimized path through secured NS(NUD) messages over the spanning tree that invoke an unsecured NA(NUD) reply that travels over the route optimized path. (The NS(NUD) messages must therefore include Identification values (and optionally Nonce and Timestamp options) that will be echoed in the unsecured NA(NUD) replies.) While testing the paths, the ROS can optionally continue to send carrier packets via the spanning tree, maintain a small queue of carrier packets until target reachability is confirmed, or (optimistically) allow carrier packets to flow via the route optimized paths.

When the ROS sends an NS(NUD) message, it sets the IPv6 source to its own LLA, sets the destination to the LLA of the ROR, and sets the LLA corresponding to the target as the Target Address. The ROS also includes an OMNI option with a single Interface Attributes sub-option with the SRT, FMT, LHS and L2ADDR information for its own underlying interface it wishes to test, but sets the S/T-ifIndex field to the index for target's underlying interface to be tested. The ROS includes an Identification value with the current "send" window (and optionally Nonce and Timestamp options), then encapsulates the message in OAL/INET headers with its own ULA as the source and the ULA of the ROR as the destination. The ROS then forwards the NS(NUD) message toward the target via a Proxy/Server or Bridge.

When the ROR receives the NS(NUD) message, it creates an NA(NUD) by reversing the OAL and IPv6 addresses and including an Interface Attributes sub-option with attributes for its own interface identified by the NS(NUD) S/T-ifIndex. The target sets the NA(NUD) S/T-ifIndex to the index of the ROS, sets the Target Address to the same value that was in the NS(NUD), and returns the message using its own underlying interface identified by S/T-ifIndex and destined to the ROS's interface identified by the original Interface Attributes sub-option.

When the ROS receives the NA(NUD) message, it can determine from the Identification value and Target Address (and optionally the Nonce and Timestamp) that the message matched its NS(NUD) and that it transited the direct path from the ROR using the selected underlying interface pair. The ROS marks route optimization target paths that pass these NUD tests as "reachable", and those that do not as "unreachable".

These markings inform the OMNI interface forwarding algorithm specified in [Section 3.10](#).

Note: If the target determines that the OMNI option Interface Attributes in the NS(NUD) is located in a different OMNI link segment than its own interface named in the S/T-ifIndex, it instead returns the NA(NUD) via the spanning tree while including an ORH and setting the OAL destination address to the Subnet Router Anycast address used by Bridges on the ROS segment. When a Bridge on the ROS segment receives the NA(NUD), it replaces the Interface Attributes with information for its own interface while using the ifIndex value specific to the target.

3.16. Mobility Management and Quality of Service (QoS)

AERO is a Distributed Mobility Management (DMM) service. Each Proxy/Server is responsible for only a subset of the Clients on the OMNI link, as opposed to a Centralized Mobility Management (CMM) service where there is a single network mobility collective entity for all Clients. Clients coordinate with their associated Proxy/Servers via RS/RA exchanges to maintain the DMM profile, and the AERO routing system tracks all current Client/Proxy/Server peering relationships.

Proxy/Servers provide default routing and mobility/multilink services for their dependent Clients. Clients are responsible for maintaining neighbor relationships with their Proxy/Servers through periodic RS/RA exchanges, which also serves to confirm neighbor reachability. When a Client's underlying interface address and/or QoS information changes, the Client is responsible for updating the Proxy/Server with this new information. Note that when there is a Proxy/Server in the path, the Proxy function can also perform some RS/RA exchanges on the Client's behalf.

Mobility management messaging is based on the transmission and reception of unsolicited Neighbor Advertisement (uNA) messages. Each uNA message sets the IPv6 destination address to (link-local) All-Nodes multicast to convey a general update of Interface Attributes to (possibly) multiple recipients, or to a specific unicast LLA to announce a departure event to a specific recipient. Implementations must therefore examine the destination address to determine the nature of the mobility event (i.e., update vs departure).

Mobility management considerations are specified in the following sections.

3.16.1. Mobility Update Messaging

RORs accommodate Client mobility, multilink and/or QoS change events by sending unsolicited NA (uNA) messages to each ROS in the target Client's Report List. When an ROR sends a uNA message, it sets the IPv6 source address to the its own LLA, sets the destination address to (link-local) All-Nodes multicast and sets the Target Address to the Client's MNP-LLA. The ROR also includes an OMNI option with Prefix Length set to the length associated with the Client's MNP-LLA, with Interface Attributes for the target Client's underlying interfaces and with the OMNI header S/T-ifIndex set to 0. The ROR then sets the NA R flag to 1, the S flag to 0 and the O flag to 1, then encapsulates the message in an OAL header with source set to its own ULA and destination set to the ULA of the ROS and sends the message into the spanning tree.

As discussed in [Section 7.2.6 of \[RFC4861\]](#), the transmission and reception of uNA messages is unreliable but provides a useful optimization. In well-connected Internetworks with robust data links uNA messages will be delivered with high probability, but in any case the Proxy/Server can optionally send up to MAX_NEIGHBOR_ADVERTISEMENT uNAs to each ROS to increase the likelihood that at least one will be received.

When the ROS receives a uNA message prepared as above, it ignores the message if there is no existing neighbor cache entry for the target Client. Otherwise, it uses the included OMNI option information to update the neighbor cache entry, but does not reset ReachableTime since the receipt of an unsolicited NA message from the ROR does not provide confirmation that any forward paths to the target Client are working.

If uNA messages are lost, the ROS may be left with stale address and/or QoS information for the Client for up to ReachableTime seconds. During this time, the ROS can continue sending carrier packets according to its stale neighbor cache information. When ReachableTime is close to expiring, the ROS will re-initiate route optimization and receive fresh link-layer address information.

In addition to sending uNA messages to the current set of ROSs for the Client, the ROR also sends uNAs to the MNP-ULA associated with the link-layer address for any underlying interface for which the link-layer address has changed. These uNA messages update an old Proxy/Server that cannot easily detect (e.g., without active probing) when a formerly-active Client has departed. When the ROR sends the uNA, it sets the IPv6 source address to its LLA, sets the destination address to the old Proxy/Server's ADM-LLA, and sets the Target Address to the Client's MNP-LLA. The ROR also includes an OMNI

option with Prefix Length set to the length associated with the Client's MNP-LLA, with Interface Attributes for the changed underlying interface, and with the OMNI header S/T-ifIndex set to its own omIndex if the ROR is a Client or 0 if the ROR is a Proxy/Server. The ROR then sets the NA R flag to 1, the S flag to 0 and the O flag to 1, then encapsulates the message in an OAL header with source set to its own ULA and destination set to the ADM-ULA of the old Proxy/Server and sends the message into the spanning tree.

3.16.2. Announcing Link-Layer Address and/or QoS Preference Changes

When a Client needs to change its underlying interface addresses and/or QoS preferences (e.g., due to a mobility event), the Client requests one of its Proxy/Servers to send RS messages to all of its other Proxy/Servers via the spanning tree with an OMNI option that includes Interface attributes with the new link quality and address information.

Up to MAX_RTR_SOLICITATIONS RS messages MAY be sent in parallel with sending carrier packets containing user data in case one or more RAs are lost. If all RAs are lost, the Client SHOULD re-associate with a new Proxy/Server.

When the Proxy/Server receives the Client's changes, it sends uNA messages to all nodes in the Report List the same as described in the previous section.

3.16.3. Bringing New Links Into Service

When a Client needs to bring new underlying interfaces into service (e.g., when it activates a new data link), it sends an RS message to the Proxy/Server via the underlying interface with an OMNI option that includes Interface Attributes with appropriate link quality values and with link-layer address information for the new link.

3.16.4. Deactivating Existing Links

When a Client needs to deactivate an existing underlying interface, it sends an RS or uNA message to its Proxy/Server with an OMNI option with appropriate Interface Attribute values - in particular, the link quality value 0 assures that neighbors will cease to use the link.

If the Client needs to send RS/uNA messages over an underlying interface other than the one being deactivated, it MUST include Interface Attributes with appropriate link quality values for any underlying interfaces being deactivated.

Note that when a Client deactivates an underlying interface, neighbors that have received the RS/uNA messages need not purge all references for the underlying interface from their neighbor cache entries. The Client may reactivate or reuse the underlying interface and/or its ifIndex at a later point in time, when it will send RS/uNA messages with fresh Interface Attributes to update any neighbors.

3.16.5. Moving Between Proxy/Servers

The Client performs the procedures specified in [Section 3.12.2](#) when it first associates with a new Proxy/Server or renews its association with an existing Proxy/Server. The Client also includes MS-Release identifiers in the RS message OMNI option per [\[I-D.templin-6man-omni-interface\]](#) if it wants the new Proxy/Server to notify any old Proxy/Servers from which the Client is departing.

When the new Proxy/Server receives the Client's RS message, it returns an RA as specified in [Section 3.12.3](#) and sends up to MAX_NEIGHBOR_ADVERTISEMENT uNA messages to any old Proxy/Servers listed in OMNI option MS-Release identifiers. When the new Proxy/Server sends a uNA message, it sets the IPv6 source address to the Client's MNP-LLA, sets the destination address to the old Proxy/Server's ADM-LLA, and sets the Target Address to the Client's LLA. The new Proxy/Server also includes an OMNI option with Prefix Length set to the length associated with the Client's MNP-LLA, with Interface Attributes for its own underlying interface, and with the OMNI header S/T-ifIndex set to 0. The new Proxy/Server then sets the NA R flag to 1, the S flag to 0 and the O flag to 1, then encapsulates the message in an OAL header with source set to its own ADM-ULA and destination set to the ADM-ULA of the old Proxy/Server and sends the message into the spanning tree.

When an old Proxy/Server receives the uNA, it changes the Client's neighbor cache entry state to DEPARTED, sets the link-layer address of the Client to the new Proxy/Server's ADM-ULA, and resets DepartTime. After a short delay (e.g., 2 seconds) the old Proxy/Server withdraws the Client's MNP from the routing system. After DepartTime expires, the old Proxy/Server deletes the Client's neighbor cache entry.

The old Proxy/Server also iteratively forwards a copy of the uNA message to each ROS in the Client's Report List by changing the OAL destination address to the ULA of the ROS while leaving all other fields of the message unmodified. When the ROS receives the uNA, it examines the Target address to determine the correct neighbor cache entry and verifies that the IPv6 destination address matches the old Proxy/Server. The ROS then caches the IPv6 source address as the new Proxy/Server for the existing neighbor cache entry and marks the

entry as STALE. While in the STALE state, the ROS allows new carrier packets to flow according to any existing cached link-layer information and sends new NS(AR) messages using its own ULA as the OAL source and the ADM-ULA of the new Proxy/Server as the OAL destination address to elicit NA messages that reset the neighbor cache entry state to REACHABLE. If no new NA message is received for 10 seconds while in the STALE state, the ROS deletes the neighbor cache entry.

Clients SHOULD NOT move rapidly between Proxy/Servers in order to avoid causing excessive oscillations in the AERO routing system. Examples of when a Client might wish to change to a different Proxy/Server include a Proxy/Server that has gone unreachable, topological movements of significant distance, movement to a new geographic region, movement to a new OMNI link segment, etc.

When a Client moves to a new Proxy/Server, some of the fragments of a multiple fragment OAL packet may have already arrived at the old Proxy/Server while others are en route to the new Proxy/Server, however no special attention in the reassembly algorithm is necessary since all fragments will eventually be delivered to the Client which can then reassemble.

3.17. Multicast

The AERO Client provides an IGMP (IPv4) [[RFC2236](#)] or MLD (IPv6) [[RFC3810](#)] proxy service for its EUNs and/or hosted applications [[RFC4605](#)]. The Client forwards IGMP/MLD messages over any of its underlying interfaces for which group membership is required. The IGMP/MLD messages may be further forwarded by a first-hop ANET access router acting as an IGMP/MLD-snooping switch [[RFC4541](#)], then ultimately delivered to an AERO Proxy/Server acting as a Protocol Independent Multicast - Sparse-Mode (PIM-SM, or simply "PIM") Designated Router (DR) [[RFC7761](#)]. AERO Relays also act as PIM routers (i.e., the same as AERO Proxys/Servers) on behalf of nodes on INET/EUN networks. The behaviors identified in the following sections correspond to Source-Specific Multicast (SSM) and Any-Source Multicast (ASM) operational modes.

3.17.1. Source-Specific Multicast (SSM)

When an ROS (i.e., an AERO Proxy/Server/Relay) "X" acting as PIM router receives a Join/Prune message from a node on its downstream interfaces containing one or more ((S)ource, (G)roup) pairs, it updates its Multicast Routing Information Base (MRIB) accordingly. For each S belonging to a prefix reachable via X's non-OMNI interfaces, X then forwards the (S, G) Join/Prune to any PIM routers on those interfaces per [[RFC7761](#)].

For each S belonging to a prefix reachable via X's OMNI interface, X originates a separate copy of the Join/Prune for each (S,G) in the message using its own LLA as the source address and ALL-PIM-ROUTERS as the destination address. X then encapsulates each message in an OAL header with source address set to the ULA of X and destination address set to S then forwards the message into the spanning tree, which delivers it to AERO Proxy/Server/Relay "Y" that services S. At the same time, if the message was a Join, X sends a route-optimization NS message toward each S the same as discussed in [Section 3.14](#). The resulting NAs will return the LLA for the prefix that matches S as the network-layer source address and with an OMNI option with the ULA corresponding to any underlying interfaces that are currently servicing S.

When Y processes the Join/Prune message, if S located behind any INET, Direct, or VPNed interfaces Y acts as a PIM router and updates its MRIB to list X as the next hop in the reverse path. If S is located behind any Proxys "Z"*, Y also forwards the message to each Z* over the spanning tree while continuing to use the LLA of X as the source address. Each Z* then updates its MRIB accordingly and maintains the LLA of X as the next hop in the reverse path. Since the Bridges do not examine network layer control messages, this means that the (reverse) multicast tree path is simply from each Z* (and/or Y) to X with no other multicast-aware routers in the path. If any Z* (and/or Y) is located on the same OMNI link segment as X, the multicast data traffic sent to X directly using OAL/INET encapsulation instead of via a Bridge.

Following the initial Join/Prune and NS/NA messaging, X maintains a neighbor cache entry for each S the same as if X was sending unicast data traffic to S. In particular, X performs additional NS/NA exchanges to keep the neighbor cache entry alive for up to t_periodic seconds [[RFC7761](#)]. If no new Joins are received within t_periodic seconds, X allows the neighbor cache entry to expire. Finally, if X receives any additional Join/Prune messages for (S,G) it forwards the messages to each Y and Z* in the neighbor cache entry over the spanning tree.

At some later time, Client C that holds an MNP for source S may depart from a first Proxy/Server Z1 and/or connect via a new Proxy/Server Z2. In that case, Y sends an unsolicited NA message to X the same as specified for unicast mobility in [Section 3.16](#). When X receives the unsolicited NA message, it updates its neighbor cache entry for the LLA for source S and sends new Join messages to any new Proxys Z2. There is no requirement to send any Prune messages to old Proxy/Server Z1 since source S will no longer source any multicast data traffic via Z1. Instead, the multicast state for (S,G) in Proxy/Server Z1 will soon time out since no new Joins will arrive.

After some later time, C may move to a new Proxy/Server Y2 and depart from old Sever Y1. In that case, Y1 sends Join messages for any of C's active (S,G) groups to Y2 while including its own LLA as the source address. This causes Y2 to include Y1 in the multicast forwarding tree during the interim time that Y1's neighbor cache entry for C is in the DEPARTED state. At the same time, Y1 sends an unsolicited NA message to X with an OMNI option with S/T-ifIndex in the header set to 0 and a release indication to cause X to release its neighbor cache entry. X then sends a new Join message to S via the spanning tree and re-initiates route optimization the same as if it were receiving a fresh Join message from a node on a downstream link.

3.17.2. Any-Source Multicast (ASM)

When an ROS X acting as a PIM router receives a Join/Prune from a node on its downstream interfaces containing one or more (*,G) pairs, it updates its Multicast Routing Information Base (MRIB) accordingly. X then forwards a copy of the message to the Rendezvous Point (RP) R for each G over the spanning tree. X uses its own LLA as the source address and ALL-PIM-ROUTERS as the destination address, then encapsulates each message in an OAL header with source address set to the ULA of X and destination address set to R, then sends the message into the spanning tree. At the same time, if the message was a Join X initiates NS/NA route optimization the same as for the SSM case discussed in [Section 3.17.1](#).

For each source S that sends multicast traffic to group G via R, the Proxy/Server Z* for the Client that aggregates S encapsulates the original IP packets in PIM Register messages and forwards them to R via the spanning tree, which may then elect to send a PIM Join to Z*. This will result in an (S,G) tree rooted at Z* with R as the next hop so that R will begin to receive two copies of the original IP packet; one native copy from the (S, G) tree and a second copy from the pre-existing (*, G) tree that still uses PIM Register encapsulation. R can then issue a PIM Register-stop message to suppress the Register-encapsulated stream. At some later time, if C moves to a new Proxy/Server Z*, it resumes sending original IP packets via PIM Register encapsulation via the new Z*.

At the same time, as multicast listeners discover individual S's for a given G, they can initiate an (S,G) Join for each S under the same procedures discussed in [Section 3.17.1](#). Once the (S,G) tree is established, the listeners can send (S, G) Prune messages to R so that multicast original IP packets for group G sourced by S will only be delivered via the (S, G) tree and not from the (*, G) tree rooted at R. All mobility considerations discussed for SSM apply.

3.17.3. Bi-Directional PIM (BIDIR-PIM)

Bi-Directional PIM (BIDIR-PIM) [[RFC5015](#)] provides an alternate approach to ASM that treats the Rendezvous Point (RP) as a Designated Forwarder (DF). Further considerations for BIDIR-PIM are out of scope.

3.18. Operation over Multiple OMNI Links

An AERO Client can connect to multiple OMNI links the same as for any data link service. In that case, the Client maintains a distinct OMNI interface for each link, e.g., 'omni0' for the first link, 'omni1' for the second, 'omni2' for the third, etc. Each OMNI link would include its own distinct set of Bridges and Proxy/Servers, thereby providing redundancy in case of failures.

Each OMNI link could utilize the same or different ANET connections. The links can be distinguished at the link-layer via the SRT prefix in a similar fashion as for Virtual Local Area Network (VLAN) tagging (e.g., IEEE 802.1Q) and/or through assignment of distinct sets of MSPs on each link. This gives rise to the opportunity for supporting multiple redundant networked paths, with each VLAN distinguished by a different SRT "color" (see: [Section 3.2.5](#)).

The Client's IP layer can select the outgoing OMNI interface appropriate for a given traffic profile while (in the reverse direction) correspondent nodes must have some way of steering their original IP packets destined to a target via the correct OMNI link.

In a first alternative, if each OMNI link services different MSPs, then the Client can receive a distinct MNP from each of the links. IP routing will therefore assure that the correct OMNI link is used for both outbound and inbound traffic. This can be accomplished using existing technologies and approaches, and without requiring any special supporting code in correspondent nodes or Bridges.

In a second alternative, if each OMNI link services the same MSP(s) then each link could assign a distinct "OMNI link Anycast" address that is configured by all Bridges on the link. Correspondent nodes can then perform Segment Routing to select the correct SRT, which will then direct the original IP packet over multiple hops to the target.

3.19. DNS Considerations

AERO Client MNs and INET correspondent nodes consult the Domain Name System (DNS) the same as for any Internetworking node. When correspondent nodes and Client MNs use different IP protocol versions

(e.g., IPv4 correspondents and IPv6 MNs), the INET DNS must maintain A records for IPv4 address mappings to MNs which must then be populated in Relay NAT64 mapping caches. In that way, an IPv4 correspondent node can send original IPv4 packets to the IPv4 address mapping of the target MN, and the Relay will translate the IPv4 header and destination address into an IPv6 header and IPv6 destination address of the MN.

When an AERO Client registers with an AERO Proxy/Server, the Proxy/Server can return the address(es) of DNS servers in RDNS options [[RFC6106](#)]. The DNS server provides the IP addresses of other MNs and correspondent nodes in AAAA records for IPv6 or A records for IPv4.

3.20. Transition/Coexistence Considerations

OAL encapsulation ensures that dissimilar INET partitions can be joined into a single unified OMNI link, even though the partitions themselves may have differing protocol versions and/or incompatible addressing plans. However, a commonality can be achieved by incrementally distributing globally routable (i.e., native) IP prefixes to eventually reach all nodes (both mobile and fixed) in all OMNI link segments. This can be accomplished by incrementally deploying AERO Bridges on each INET partition, with each Bridge distributing its MNPs and/or discovering non-MNP IP GUA prefixes on its INET links.

This gives rise to the opportunity to eventually distribute native IP addresses to all nodes, and to present a unified OMNI link view even if the INET partitions remain in their current protocol and addressing plans. In that way, the OMNI link can serve the dual purpose of providing a mobility/multilink service and a transition/coexistence service. Or, if an INET partition is transitioned to a native IP protocol version and addressing scheme that is compatible with the OMNI link MNP-based addressing scheme, the partition and OMNI link can be joined by Bridges.

Relays that connect INETs/EUNs with dissimilar IP protocol versions may need to employ a network address and protocol translation function such as NAT64 [[RFC6146](#)].

3.21. Detecting and Reacting to Proxy/Server and Bridge Failures

In environments where rapid failure recovery is required, Proxy/Servers and Bridges SHOULD use Bidirectional Forwarding Detection (BFD) [[RFC5880](#)]. Nodes that use BFD can quickly detect and react to failures so that cached information is re-established through alternate nodes. BFD control messaging is carried only over well-

connected ground domain networks (i.e., and not low-end radio links) and can therefore be tuned for rapid response.

Proxy/Servers and Bridges maintain BFD sessions in parallel with their BGP peerings. If a Proxy/Server or Bridge fails, BGP peers will quickly re-establish routes through alternate paths the same as for common BGP deployments. Similarly, Proxys maintain BFD sessions with their associated Bridges even though they do not establish BGP peerings with them.

3.22. AERO Clients on the Open Internet

AERO Clients that connect to the open Internet via INET interfaces can establish a VPN or direct link to securely connect to a Proxy/Server in a "tethered" arrangement with all of the Client's traffic transiting the Proxy/Server. Alternatively, the Client can associate with an INET Proxy/Server using UDP/IP encapsulation and control message securing services as discussed in the following sections.

When a Client's OMNI interface enables an INET underlying interface, it first determines whether the interface is likely to be behind a NAT. For IPv4, the Client assumes it is on the open Internet if the INET address is not a special-use IPv4 address per [[RFC3330](#)]. Similarly for IPv6, the Client assumes it is on the open Internet if the INET address is a Global Unicast Address (GUA) [[RFC4291](#)]. Otherwise, the Client assumes it may be behind one or several NATs.

The Client then prepares an RS message with IPv6 source address set to its MNP-LLA, with IPv6 destination set to (link-local) All-Routers multicast and with an OMNI option with underlying interface attributes. If the Client believes that it is on the open Internet, it SHOULD include an L2ADDR in the Interface Attributes sub-option corresponding to the underlying interface; otherwise, it MAY omit L2ADDR. If the underlying address is IPv4, the Client includes the Port Number and IPv4 address written in obfuscated form [[RFC4380](#)] as discussed in [Section 3.3](#). If the underlying interface address is IPv6, the Client instead includes the Port Number and IPv6 address in obfuscated form. The Client finally includes an authentication signature sub-option in the OMNI option [[I-D.templin-6man-omni-interface](#)] to provide message authentication and submits the RS for OAL encapsulation as an atomic fragment using an unpredictable Identification value to establish the start of the "send/accept" window for this Proxy/Server. The Client then encapsulates the OAL fragment in UDP/IP headers to form a carrier packet, sets the UDP/IP source to its INET address and UDP port, sets the UDP/IP destination to the Proxy/Server's INET address and the AERO service port number (8060), then sends the carrier packet to the Proxy/Server.

When the Proxy/Server receives the RS, it discards the OAL encapsulation, authenticates the RS message, creates a neighbor cache entry and registers the Client's MNP, Identification and INET interface information according to the OMNI option parameters. If the RS message OMNI option includes Interface Attributes with an L2ADDR, the Proxy/Server compares the encapsulation IP address and UDP port number with the (unobfuscated) values. If the values are the same, the Proxy/Server caches the Client's information as "INET" addresses meaning that the Client is likely to accept direct messages without requiring NAT traversal exchanges. If the values are different (or, if the OMNI option did not include an L2ADDR) the Proxy/Server instead caches the Client's information as "mapped" addresses meaning that NAT traversal exchanges may be necessary.

The Proxy/Server then prepares an RA message with IPv6 source and destination set corresponding to the addresses in the RS, and with an OMNI option with an Origin Indication sub-option per [\[I-D.templin-6man-omni-interface\]](#) with the mapped and obfuscated Port Number and IP address observed in the encapsulation headers. The Proxy/Server also includes an authentication signature sub-option per [\[I-D.templin-6man-omni-interface\]](#) that contains an acknowledgement of the update sent by the Client. The Proxy/Server then performs OAL encapsulation and fragmentation if necessary using the same Identification value that appeared in the RS, and encapsulates each fragment in UDP/IP headers with addresses set per the L2ADDR information in the neighbor cache entry for the Client.

When the Client receives the RA message, it verifies the OAL Identification value, performs OAL reassembly if necessary, authenticates the message, then compares the mapped Port Number and IP address from the Origin Indication sub-option with its own address. If the addresses are the same, the Client assumes the open Internet / Cone NAT principle; if the addresses are different, the Client instead assumes that further qualification procedures are necessary to detect the type of NAT and proceeds according to standard procedures [\[RFC6081\]](#)[\[RFC4380\]](#).

After the Client has registered its INET interfaces in such RS/RA exchanges it sends periodic RS messages to receive fresh RA messages before the Router Lifetime received on each INET interface expires. The Client also maintains default routes via its Proxy/Servers, i.e., the same as described in earlier sections.

When the Client sends messages to target IP addresses, it also invokes route optimization per [Section 3.14](#) using IPv6 ND address resolution messaging. The Client first creates a neighbor cache entry for the target in the INCOMPLETE state, then sends the NS(AR) message to the Proxy/Server with an OMNI option with an

authentication signature sub-option. The Client sets the NS source address to its own MNP-LLA, destination address to the target solicited node multicast address and target address to the LLA of the target. The Client then wraps the NS message in OAL headers (i.e., as an atomic fragment) with an unpredictable Identification value to establish the "send" window for this target, with source address set to its own MNP-ULA and destination address set to the target's MNP-ULA. The Client then wraps the atomic fragment in a UDP/IP header and sends the resulting carrier packet to the Proxy/Server.

When the Client's Proxy/Server receives the OAL-encapsulated NS, it authenticates the message by processing the authentication signature sub-option and forwards the message over the spanning tree on behalf of the Client. When the ROR receives the NS(AR), it creates a neighbor cache entry for the ROS in the STALE state and caches the Identification value as the start of the "accept" window for packets originating from this ROS (if the ROR is a Proxy/Server, it also creates a Report List entry for this ROS in the target Client's neighbor cache entry). The ROR then returns an NA(AR) with OMNI option information for the target including all of the target's Interface Attributes.

The ROR sets the NA(AR) source address to its own LLA, sets the destination address to the ROS LLA and sets the target address to the LLA of the target. The ROR then performs OAL encapsulation using the same Identification value that appeared in the NS(AR), then sets the OAL source address to the ROR's ULA and destination address to ULA source of the NS(AR). If the ROR is an INET Client, it includes an authentication signature and sends the NA(AR) to its Proxy/Server which verifies the authentication signature and forwards the NA(AR) into the secured spanning tree. If the ROR is an ANET Client or a Proxy/Server, it simply forwards the NA(AR) into the secured spanning tree.

When the Proxy/Server for the ROS Client receives the NA(AR) message contained in one or more carrier packets, it verifies the OAL Identification matches the same value that was used in the NS(AR) then reassembles if necessary. When reassembly is complete, the Proxy/Server includes an authentication signature and forwards the NA(AR) to the ROS Client. The ROS Client then verifies the authentication signature and changes the neighbor cache entry state for this target to REACHABLE.

Following route optimization for targets in the same OMNI link segment, if the target's L2ADDR is on the open INET, the Client forwards carrier packets directly to the target INET address. If the target is behind a NAT, the Client first establishes NAT state for the L2ADDR using the "direct bubble" and NUD mechanisms discussed in

[Section 3.10.1](#). The Client continues to send carrier packets via its Proxy/Server until NAT state is populated, then begins forwarding carrier packets via the direct path through the NAT to the target. For targets in different OMNI link segments, the Client uses OAL/ORH encapsulation and forwards carrier packets to the Bridge that returned the NA message.

The ROR may return uNAs via the ROS Proxy/Server if the target moves, and the Proxy/Server will send corresponding uNAs to the Client with an OMNI authentication sub-option. The Client can also send NUD messages to test forward path reachability even though there is no security association between the Client and the target.

The Client can send original IP packets to route-optimized neighbors in the same OMNI link segment no larger than the minimum/path MPS in one piece and with OAL encapsulation but without fragmentation. For larger original IP packets, the Client applies OAL encapsulation and fragmentation if necessary according to [Section 3.9](#), with OAL header with source set to its own MNP-ULA and destination set to the MNP-ULA of the target. The Client then encapsulates each original IP packet or OAL fragment in UDP/IP *NET headers and sends them to the next hop.

Note: The NAT traversal procedures specified in this document are applicable for Cone, Address-Restricted and Port-Restricted NATs only. While future updates to this document may specify procedures for other NAT variations (e.g., hairpinning and various forms of Symmetric NATs), it should be noted that continuous communications are always possible through forwarding via a Proxy/Server even if NAT traversal is not employed.

[3.23. Time-Varying MNPs](#)

In some use cases, it is desirable, beneficial and efficient for the Client to receive a constant MNP that travels with the Client wherever it moves. For example, this would allow air traffic controllers to easily track aircraft, etc. In other cases, however (e.g., intelligent transportation systems), the MN may be willing to sacrifice a modicum of efficiency in order to have time-varying MNPs that can be changed every so often to defeat adversarial tracking.

The DHCPV6 service offers a way for Clients that desire time-varying MNPs to obtain short-lived prefixes (e.g., on the order of a small number of minutes). In that case, the identity of the Client would not be bound to the MNP but rather to a Node Identification value (see: [[I-D.templin-6man-omni-interface](#)]) to be used as the Client ID seed for MNP prefix delegation. The Client would then be obligated to renumber its internal networks whenever its MNP (and therefore

also its MNP-LLA) changes. This should not present a challenge for Clients with automated network renumbering services, however presents limits for the durations of ongoing sessions that would prefer to use a constant address.

4. Implementation Status

An early AERO implementation based on OpenVPN (<https://openvpn.net/>) was announced on the v6ops mailing list on January 10, 2018 and an initial public release of the AERO proof-of-concept source code was announced on the intarea mailing list on August 21, 2015.

AERO Release-3.0.2 was tagged on October 15, 2020, and is undergoing internal testing. Additional internal releases expected within the coming months, with first public release expected end of 1H2021.

5. IANA Considerations

The IANA is instructed to assign a new type value TBD1 in the IPv6 Routing Types registry.

The IANA has assigned the UDP port number "8060" for an earlier experimental first version of AERO [[RFC6706](#)]. This document obsoletes [[RFC6706](#)], and together with [[I-D.templin-6man-omni-interface](#)] reclaims the UDP port number "8060" for 'aero' as the service port for UDP/IP encapsulation. (Note that, although [[RFC6706](#)] was not widely implemented or deployed, any messages coded to that specification can be easily distinguished and ignored since they use the invalid ICMPv6 message type number '0'.) This document makes no request of IANA, since [[I-D.templin-6man-omni-interface](#)] already provides instructions.

No further IANA actions are required.

6. Security Considerations

AERO Bridges configure secured tunnels with AERO Proxy/Server/Relays within their local OMNI link segments. Applicable secured tunnel alternatives include IPsec [[RFC4301](#)], TLS/SSL [[RFC8446](#)], DTLS [[RFC6347](#)], WireGuard [[WG](#)], etc. The AERO Bridges of all OMNI link segments in turn configure secured tunnels for their neighboring AERO Bridges in a spanning tree topology. Therefore, control messages exchanged between any pair of OMNI link neighbors on the spanning tree are already secured.

AERO nodes acting as Route Optimization Responders (RORs) may also receive packets directly from arbitrary nodes in INET partitions instead of via the secured spanning tree. For INET partitions that

apply effective ingress filtering to defeat source address spoofing, the simple data origin authentication procedures in [Section 3.8](#) can be applied.

For INET partitions that require strong security in the data plane, two options for securing communications include 1) disable route optimization so that all traffic is conveyed over secured tunnels, or 2) enable on-demand secure tunnel creation between INET partition neighbors. Option 1) would result in longer routes than necessary and traffic concentration on critical infrastructure elements. Option 2) could be coordinated by establishing a secured tunnel on-demand instead of performing an NS/NA exchange in the route optimization procedures.

AERO Clients that connect to secured ANETs need not apply security to their ND messages, since the messages will be intercepted by a perimeter Proxy/Server that applies security on its INET-facing interface as part of the spanning tree (see above). AERO Clients connected to the open INET can use network and/or transport layer security services such as VPNs or can by some other means establish a direct link to a Proxy/Server. When a VPN or direct link may be impractical, however, INET Clients and Proxy/Servers SHOULD include and verify authentication signatures for their IPV6 ND messages as specified in [[I-D.templin-6man-omni-interface](#)].

Application endpoints SHOULD use application-layer security services such as TLS/SSL, DTLS or SSH [[RFC4251](#)] to assure the same level of protection as for critical secured Internet services. AERO Clients that require host-based VPN services SHOULD use network and/or transport layer security services such as IPsec, TLS/SSL, DTLS, etc. AERO Proxys and Proxy/Servers can also provide a network-based VPN service on behalf of the Client, e.g., if the Client is located within a secured enclave and cannot establish a VPN on its own behalf.

AERO Proxy/Servers and Bridges present targets for traffic amplification Denial of Service (DoS) attacks. This concern is no different than for widely-deployed VPN security gateways in the Internet, where attackers could send spoofed packets to the gateways at high data rates. This can be mitigated by connecting Proxy/Servers and Bridges over dedicated links with no connections to the Internet and/or when connections to the Internet are only permitted through well-managed firewalls. Traffic amplification DoS attacks can also target an AERO Client's low data rate links. This is a concern not only for Clients located on the open Internet but also for Clients in secured enclaves. AERO Proxy/Servers and Proxys can institute rate limits that protect Clients from receiving packet floods that could DoS low data rate links.

AERO Relays must implement ingress filtering to avoid a spoofing attack in which spurious messages with ULA addresses are injected into an OMNI link from an outside attacker. AERO Clients MUST ensure that their connectivity is not used by unauthorized nodes on their EUNs to gain access to a protected network, i.e., AERO Clients that act as routers MUST NOT provide routing services for unauthorized nodes. (This concern is no different than for ordinary hosts that receive an IP address delegation but then "share" the address with other nodes via some form of Internet connection sharing such as tethering.)

The MAP list MUST be well-managed and secured from unauthorized tampering, even though the list contains only public information. The MAP list can be conveyed to the Client in a similar fashion as in [[RFC5214](#)] (e.g., through layer 2 data link login messaging, secure upload of a static file, DNS lookups, etc.).

SRH authentication facilities are specified in [[RFC8754](#)].

Security considerations for accepting link-layer ICMP messages and reflected packets are discussed throughout the document.

Security considerations for IPv6 fragmentation and reassembly are discussed in [[I-D.templin-6man-omni-interface](#)].

7. Acknowledgements

Discussions in the IETF, aviation standards communities and private exchanges helped shape some of the concepts in this work. Individuals who contributed insights include Mikael Abrahamsson, Mark Andrews, Fred Baker, Bob Braden, Stewart Bryant, Brian Carpenter, Wojciech Dec, Pavel Drasil, Ralph Droms, Adrian Farrel, Nick Green, Sri Gundavelli, Brian Haberman, Bernhard Haindl, Joel Halpern, Tom Herbert, Sascha Hlusiak, Lee Howard, Zdenek Jaron, Andre Kostur, Hubert Kuenig, Ted Lemon, Andy Malis, Satoru Matsushima, Tomek Mrugalski, Madhu Niraula, Alexandru Petrescu, Behcet Saikaya, Michal Skorepa, Joe Touch, Bernie Volz, Ryuji Wakikawa, Tony Whyman, Lloyd Wood and James Woodyatt. Members of the IESG also provided valuable input during their review process that greatly improved the document. Special thanks go to Stewart Bryant, Joel Halpern and Brian Haberman for their shepherding guidance during the publication of the AERO first edition.

This work has further been encouraged and supported by Boeing colleagues including Kyle Bae, M. Wayne Benson, Dave Bernhardt, Cam Brodie, John Bush, Balaguruna Chidambaram, Irene Chin, Bruce Cornish, Claudiu Danilov, Don Dillenburg, Joe Dudkowski, Wen Fang, Samad Farooqui, Anthony Gregory, Jeff Holland, Seth Jahne, Brian Jaury,

Greg Kimberly, Ed King, Madhuri Madhava Badgandi, Laurel Matthew, Gene MacLean III, Rob Muszkiewicz, Sean O'Sullivan, Vijay Rajagopalan, Greg Saccone, Rod Santiago, Kent Shuey, Brian Skeen, Mike Slane, Carrie Spiker, Katie Tran, Brendan Williams, Amelia Wilson, Julie Wulff, Yueli Yang, Eric Yeh and other members of the Boeing mobility, networking and autonomy teams. Kyle Bae, Wayne Benson, Katie Tran and Eric Yeh are especially acknowledged for implementing the AERO functions as extensions to the public domain OpenVPN distribution.

Earlier works on NBMA tunneling approaches are found in [[RFC2529](#)][RFC5214][[RFC5569](#)].

Many of the constructs presented in this second edition of AERO are based on the author's earlier works, including:

- o The Internet Routing Overlay Network (IRON) [[RFC6179](#)][I-D.templin-ironbis]
- o Virtual Enterprise Traversal (VET) [[RFC5558](#)][I-D.templin-intarea-vet]
- o The Subnetwork Encapsulation and Adaptation Layer (SEAL) [[RFC5320](#)][I-D.templin-intarea-seal]
- o AERO, First Edition [[RFC6706](#)]

Note that these works cite numerous earlier efforts that are not also cited here due to space limitations. The authors of those earlier works are acknowledged for their insights.

This work is aligned with the NASA Safe Autonomous Systems Operation (SASO) program under NASA contract number NNA16BD84C.

This work is aligned with the FAA as per the SE2025 contract number DTFWA-15-D-00030.

This work is aligned with the Boeing Commercial Airplanes (BCA) Internet of Things (IoT) and autonomy programs.

This work is aligned with the Boeing Information Technology (BIT) MobileNet program.

8. References

8.1. Normative References

- [I-D.templin-6man-omni-interface]
Templin, F. and T. Whyman, "Transmission of IP Packets over Overlay Multilink Network (OMNI) Interfaces", [draft-templin-6man-omni-interface-69](#) (work in progress), January 2021.
- [RFC0791] Postel, J., "Internet Protocol", STD 5, [RFC 791](#), DOI 10.17487/RFC0791, September 1981, <<https://www.rfc-editor.org/info/rfc791>>.
- [RFC0792] Postel, J., "Internet Control Message Protocol", STD 5, [RFC 792](#), DOI 10.17487/RFC0792, September 1981, <<https://www.rfc-editor.org/info/rfc792>>.
- [RFC2119] Bradner, S., "Key words for use in RFCs to Indicate Requirement Levels", [BCP 14](#), [RFC 2119](#), DOI 10.17487/RFC2119, March 1997, <<https://www.rfc-editor.org/info/rfc2119>>.
- [RFC2473] Conta, A. and S. Deering, "Generic Packet Tunneling in IPv6 Specification", [RFC 2473](#), DOI 10.17487/RFC2473, December 1998, <<https://www.rfc-editor.org/info/rfc2473>>.
- [RFC3971] Arkko, J., Ed., Kempf, J., Zill, B., and P. Nikander, "SEcure Neighbor Discovery (SEND)", [RFC 3971](#), DOI 10.17487/RFC3971, March 2005, <<https://www.rfc-editor.org/info/rfc3971>>.
- [RFC3972] Aura, T., "Cryptographically Generated Addresses (CGA)", [RFC 3972](#), DOI 10.17487/RFC3972, March 2005, <<https://www.rfc-editor.org/info/rfc3972>>.
- [RFC4191] Draves, R. and D. Thaler, "Default Router Preferences and More-Specific Routes", [RFC 4191](#), DOI 10.17487/RFC4191, November 2005, <<https://www.rfc-editor.org/info/rfc4191>>.
- [RFC4193] Hinden, R. and B. Haberman, "Unique Local IPv6 Unicast Addresses", [RFC 4193](#), DOI 10.17487/RFC4193, October 2005, <<https://www.rfc-editor.org/info/rfc4193>>.
- [RFC4380] Huitema, C., "Teredo: Tunneling IPv6 over UDP through Network Address Translations (NATs)", [RFC 4380](#), DOI 10.17487/RFC4380, February 2006, <<https://www.rfc-editor.org/info/rfc4380>>.

- [RFC4861] Narten, T., Nordmark, E., Simpson, W., and H. Soliman, "Neighbor Discovery for IP version 6 (IPv6)", [RFC 4861](#), DOI 10.17487/RFC4861, September 2007, <<https://www.rfc-editor.org/info/rfc4861>>.
- [RFC4862] Thomson, S., Narten, T., and T. Jinmei, "IPv6 Stateless Address Autoconfiguration", [RFC 4862](#), DOI 10.17487/RFC4862, September 2007, <<https://www.rfc-editor.org/info/rfc4862>>.
- [RFC6081] Thaler, D., "Teredo Extensions", [RFC 6081](#), DOI 10.17487/RFC6081, January 2011, <<https://www.rfc-editor.org/info/rfc6081>>.
- [RFC7401] Moskowitz, R., Ed., Heer, T., Jokela, P., and T. Henderson, "Host Identity Protocol Version 2 (HIPv2)", [RFC 7401](#), DOI 10.17487/RFC7401, April 2015, <<https://www.rfc-editor.org/info/rfc7401>>.
- [RFC7739] Gont, F., "Security Implications of Predictable Fragment Identification Values", [RFC 7739](#), DOI 10.17487/RFC7739, February 2016, <<https://www.rfc-editor.org/info/rfc7739>>.
- [RFC8174] Leiba, B., "Ambiguity of Uppercase vs Lowercase in [RFC 2119](#) Key Words", [BCP 14](#), [RFC 8174](#), DOI 10.17487/RFC8174, May 2017, <<https://www.rfc-editor.org/info/rfc8174>>.
- [RFC8200] Deering, S. and R. Hinden, "Internet Protocol, Version 6 (IPv6) Specification", STD 86, [RFC 8200](#), DOI 10.17487/RFC8200, July 2017, <<https://www.rfc-editor.org/info/rfc8200>>.
- [RFC8415] Mrugalski, T., Siodelski, M., Volz, B., Yourtchenko, A., Richardson, M., Jiang, S., Lemon, T., and T. Winters, "Dynamic Host Configuration Protocol for IPv6 (DHCPv6)", [RFC 8415](#), DOI 10.17487/RFC8415, November 2018, <<https://www.rfc-editor.org/info/rfc8415>>.

[8.2.](#) Informative References

- [BGP] Huston, G., "BGP in 2015, <http://potaroo.net>", January 2016.
- [I-D.bonica-6man-comp-rtg-hdr] Bonica, R., Kamite, Y., Alston, A., Henriques, D., and L. Jalil, "The IPv6 Compact Routing Header (CRH)", [draft-bonica-6man-comp-rtg-hdr-24](#) (work in progress), January 2021.

[I-D.bonica-6man-crh-helper-opt]

Li, X., Bao, C., Ruan, E., and R. Bonica, "Compressed Routing Header (CRH) Helper Option", [draft-bonica-6man-crh-helper-opt-02](#) (work in progress), October 2020.

[I-D.ietf-intarea-frag-fragile]

Bonica, R., Baker, F., Huston, G., Hinden, R., Troan, O., and F. Gont, "IP Fragmentation Considered Fragile", [draft-ietf-intarea-frag-fragile-17](#) (work in progress), September 2019.

[I-D.ietf-intarea-tunnels]

Touch, J. and M. Townsley, "IP Tunnels in the Internet Architecture", [draft-ietf-intarea-tunnels-10](#) (work in progress), September 2019.

[I-D.ietf-ipwave-vehicular-networking]

Jeong, J., "IPv6 Wireless Access in Vehicular Environments (IPWAVE): Problem Statement and Use Cases", [draft-ietf-ipwave-vehicular-networking-19](#) (work in progress), July 2020.

[I-D.ietf-rtgwg-atn-bgp]

Templin, F., Saccone, G., Dawra, G., Lindem, A., and V. Moreno, "A Simple BGP-based Mobile Routing System for the Aeronautical Telecommunications Network", [draft-ietf-rtgwg-atn-bgp-10](#) (work in progress), January 2021.

[I-D.templin-6man-dhcpv6-ndopt]

Templin, F., "A Unified Stateful/Stateless Configuration Service for IPv6", [draft-templin-6man-dhcpv6-ndopt-11](#) (work in progress), January 2021.

[I-D.templin-intarea-seal]

Templin, F., "The Subnetwork Encapsulation and Adaptation Layer (SEAL)", [draft-templin-intarea-seal-68](#) (work in progress), January 2014.

[I-D.templin-intarea-vet]

Templin, F., "Virtual Enterprise Traversal (VET)", [draft-templin-intarea-vet-40](#) (work in progress), May 2013.

[I-D.templin-ipwave-uam-its]

Templin, F., "Urban Air Mobility Implications for Intelligent Transportation Systems", [draft-templin-ipwave-uam-its-04](#) (work in progress), January 2021.

[I-D.templin-ironbis]

Templin, F., "The Interior Routing Overlay Network (IRON)", [draft-templin-ironbis-16](#) (work in progress), March 2014.

[I-D.templin-v6ops-pdhost]

Templin, F., "IPv6 Prefix Delegation and Multi-Addressing Models", [draft-templin-v6ops-pdhost-27](#) (work in progress), January 2021.

[OVPN] OpenVPN, O., "http://openvpn.net", October 2016.

[RFC1035] Mockapetris, P., "Domain names - implementation and specification", STD 13, [RFC 1035](#), DOI 10.17487/RFC1035, November 1987, <<https://www.rfc-editor.org/info/rfc1035>>.

[RFC1812] Baker, F., Ed., "Requirements for IP Version 4 Routers", [RFC 1812](#), DOI 10.17487/RFC1812, June 1995, <<https://www.rfc-editor.org/info/rfc1812>>.

[RFC2003] Perkins, C., "IP Encapsulation within IP", [RFC 2003](#), DOI 10.17487/RFC2003, October 1996, <<https://www.rfc-editor.org/info/rfc2003>>.

[RFC2004] Perkins, C., "Minimal Encapsulation within IP", [RFC 2004](#), DOI 10.17487/RFC2004, October 1996, <<https://www.rfc-editor.org/info/rfc2004>>.

[RFC2236] Fenner, W., "Internet Group Management Protocol, Version 2", [RFC 2236](#), DOI 10.17487/RFC2236, November 1997, <<https://www.rfc-editor.org/info/rfc2236>>.

[RFC2464] Crawford, M., "Transmission of IPv6 Packets over Ethernet Networks", [RFC 2464](#), DOI 10.17487/RFC2464, December 1998, <<https://www.rfc-editor.org/info/rfc2464>>.

[RFC2529] Carpenter, B. and C. Jung, "Transmission of IPv6 over IPv4 Domains without Explicit Tunnels", [RFC 2529](#), DOI 10.17487/RFC2529, March 1999, <<https://www.rfc-editor.org/info/rfc2529>>.

[RFC2983] Black, D., "Differentiated Services and Tunnels", [RFC 2983](#), DOI 10.17487/RFC2983, October 2000, <<https://www.rfc-editor.org/info/rfc2983>>.

- [RFC3168] Ramakrishnan, K., Floyd, S., and D. Black, "The Addition of Explicit Congestion Notification (ECN) to IP", [RFC 3168](#), DOI 10.17487/RFC3168, September 2001, <<https://www.rfc-editor.org/info/rfc3168>>.
- [RFC3330] IANA, "Special-Use IPv4 Addresses", [RFC 3330](#), DOI 10.17487/RFC3330, September 2002, <<https://www.rfc-editor.org/info/rfc3330>>.
- [RFC3810] Vida, R., Ed. and L. Costa, Ed., "Multicast Listener Discovery Version 2 (MLDv2) for IPv6", [RFC 3810](#), DOI 10.17487/RFC3810, June 2004, <<https://www.rfc-editor.org/info/rfc3810>>.
- [RFC4122] Leach, P., Mealling, M., and R. Salz, "A Universally Unique IDentifier (UUID) URN Namespace", [RFC 4122](#), DOI 10.17487/RFC4122, July 2005, <<https://www.rfc-editor.org/info/rfc4122>>.
- [RFC4251] Ylonen, T. and C. Lonvick, Ed., "The Secure Shell (SSH) Protocol Architecture", [RFC 4251](#), DOI 10.17487/RFC4251, January 2006, <<https://www.rfc-editor.org/info/rfc4251>>.
- [RFC4271] Rekhter, Y., Ed., Li, T., Ed., and S. Hares, Ed., "A Border Gateway Protocol 4 (BGP-4)", [RFC 4271](#), DOI 10.17487/RFC4271, January 2006, <<https://www.rfc-editor.org/info/rfc4271>>.
- [RFC4291] Hinden, R. and S. Deering, "IP Version 6 Addressing Architecture", [RFC 4291](#), DOI 10.17487/RFC4291, February 2006, <<https://www.rfc-editor.org/info/rfc4291>>.
- [RFC4301] Kent, S. and K. Seo, "Security Architecture for the Internet Protocol", [RFC 4301](#), DOI 10.17487/RFC4301, December 2005, <<https://www.rfc-editor.org/info/rfc4301>>.
- [RFC4389] Thaler, D., Talwar, M., and C. Patel, "Neighbor Discovery Proxies (ND Proxy)", [RFC 4389](#), DOI 10.17487/RFC4389, April 2006, <<https://www.rfc-editor.org/info/rfc4389>>.
- [RFC4443] Conta, A., Deering, S., and M. Gupta, Ed., "Internet Control Message Protocol (ICMPv6) for the Internet Protocol Version 6 (IPv6) Specification", STD 89, [RFC 4443](#), DOI 10.17487/RFC4443, March 2006, <<https://www.rfc-editor.org/info/rfc4443>>.

- [RFC4511] Sermersheim, J., Ed., "Lightweight Directory Access Protocol (LDAP): The Protocol", [RFC 4511](#), DOI 10.17487/RFC4511, June 2006, <<https://www.rfc-editor.org/info/rfc4511>>.
- [RFC4541] Christensen, M., Kimball, K., and F. Solensky, "Considerations for Internet Group Management Protocol (IGMP) and Multicast Listener Discovery (MLD) Snooping Switches", [RFC 4541](#), DOI 10.17487/RFC4541, May 2006, <<https://www.rfc-editor.org/info/rfc4541>>.
- [RFC4605] Fenner, B., He, H., Haberman, B., and H. Sandick, "Internet Group Management Protocol (IGMP) / Multicast Listener Discovery (MLD)-Based Multicast Forwarding ("IGMP/MLD Proxying")", [RFC 4605](#), DOI 10.17487/RFC4605, August 2006, <<https://www.rfc-editor.org/info/rfc4605>>.
- [RFC4982] Bagnulo, M. and J. Arkko, "Support for Multiple Hash Algorithms in Cryptographically Generated Addresses (CGAs)", [RFC 4982](#), DOI 10.17487/RFC4982, July 2007, <<https://www.rfc-editor.org/info/rfc4982>>.
- [RFC5015] Handley, M., Kouvelas, I., Speakman, T., and L. Vicisano, "Bidirectional Protocol Independent Multicast (BIDIR-PIM)", [RFC 5015](#), DOI 10.17487/RFC5015, October 2007, <<https://www.rfc-editor.org/info/rfc5015>>.
- [RFC5214] Templin, F., Gleeson, T., and D. Thaler, "Intra-Site Automatic Tunnel Addressing Protocol (ISATAP)", [RFC 5214](#), DOI 10.17487/RFC5214, March 2008, <<https://www.rfc-editor.org/info/rfc5214>>.
- [RFC5320] Templin, F., Ed., "The Subnetwork Encapsulation and Adaptation Layer (SEAL)", [RFC 5320](#), DOI 10.17487/RFC5320, February 2010, <<https://www.rfc-editor.org/info/rfc5320>>.
- [RFC5522] Eddy, W., Ivancic, W., and T. Davis, "Network Mobility Route Optimization Requirements for Operational Use in Aeronautics and Space Exploration Mobile Networks", [RFC 5522](#), DOI 10.17487/RFC5522, October 2009, <<https://www.rfc-editor.org/info/rfc5522>>.
- [RFC5558] Templin, F., Ed., "Virtual Enterprise Traversal (VET)", [RFC 5558](#), DOI 10.17487/RFC5558, February 2010, <<https://www.rfc-editor.org/info/rfc5558>>.

- [RFC5569] Despres, R., "IPv6 Rapid Deployment on IPv4 Infrastructures (6rd)", [RFC 5569](#), DOI 10.17487/RFC5569, January 2010, <<https://www.rfc-editor.org/info/rfc5569>>.
- [RFC5880] Katz, D. and D. Ward, "Bidirectional Forwarding Detection (BFD)", [RFC 5880](#), DOI 10.17487/RFC5880, June 2010, <<https://www.rfc-editor.org/info/rfc5880>>.
- [RFC6106] Jeong, J., Park, S., Beloeil, L., and S. Madanapalli, "IPv6 Router Advertisement Options for DNS Configuration", [RFC 6106](#), DOI 10.17487/RFC6106, November 2010, <<https://www.rfc-editor.org/info/rfc6106>>.
- [RFC6146] Bagnulo, M., Matthews, P., and I. van Beijnum, "Stateful NAT64: Network Address and Protocol Translation from IPv6 Clients to IPv4 Servers", [RFC 6146](#), DOI 10.17487/RFC6146, April 2011, <<https://www.rfc-editor.org/info/rfc6146>>.
- [RFC6179] Templin, F., Ed., "The Internet Routing Overlay Network (IRON)", [RFC 6179](#), DOI 10.17487/RFC6179, March 2011, <<https://www.rfc-editor.org/info/rfc6179>>.
- [RFC6221] Miles, D., Ed., Ooghe, S., Dec, W., Krishnan, S., and A. Kavanagh, "Lightweight DHCPv6 Relay Agent", [RFC 6221](#), DOI 10.17487/RFC6221, May 2011, <<https://www.rfc-editor.org/info/rfc6221>>.
- [RFC6273] Kukec, A., Krishnan, S., and S. Jiang, "The Secure Neighbor Discovery (SEND) Hash Threat Analysis", [RFC 6273](#), DOI 10.17487/RFC6273, June 2011, <<https://www.rfc-editor.org/info/rfc6273>>.
- [RFC6347] Rescorla, E. and N. Modadugu, "Datagram Transport Layer Security Version 1.2", [RFC 6347](#), DOI 10.17487/RFC6347, January 2012, <<https://www.rfc-editor.org/info/rfc6347>>.
- [RFC6355] Narten, T. and J. Johnson, "Definition of the UUID-Based DHCPv6 Unique Identifier (DUID-UUID)", [RFC 6355](#), DOI 10.17487/RFC6355, August 2011, <<https://www.rfc-editor.org/info/rfc6355>>.
- [RFC6438] Carpenter, B. and S. Amante, "Using the IPv6 Flow Label for Equal Cost Multipath Routing and Link Aggregation in Tunnels", [RFC 6438](#), DOI 10.17487/RFC6438, November 2011, <<https://www.rfc-editor.org/info/rfc6438>>.

- [RFC6706] Templin, F., Ed., "Asymmetric Extended Route Optimization (AERO)", [RFC 6706](#), DOI 10.17487/RFC6706, August 2012, <<https://www.rfc-editor.org/info/rfc6706>>.
- [RFC6935] Eubanks, M., Chimento, P., and M. Westerlund, "IPv6 and UDP Checksums for Tunneled Packets", [RFC 6935](#), DOI 10.17487/RFC6935, April 2013, <<https://www.rfc-editor.org/info/rfc6935>>.
- [RFC6936] Fairhurst, G. and M. Westerlund, "Applicability Statement for the Use of IPv6 UDP Datagrams with Zero Checksums", [RFC 6936](#), DOI 10.17487/RFC6936, April 2013, <<https://www.rfc-editor.org/info/rfc6936>>.
- [RFC7333] Chan, H., Ed., Liu, D., Seite, P., Yokota, H., and J. Korhonen, "Requirements for Distributed Mobility Management", [RFC 7333](#), DOI 10.17487/RFC7333, August 2014, <<https://www.rfc-editor.org/info/rfc7333>>.
- [RFC7761] Fenner, B., Handley, M., Holbrook, H., Kouvelas, I., Parekh, R., Zhang, Z., and L. Zheng, "Protocol Independent Multicast - Sparse Mode (PIM-SM): Protocol Specification (Revised)", STD 83, [RFC 7761](#), DOI 10.17487/RFC7761, March 2016, <<https://www.rfc-editor.org/info/rfc7761>>.
- [RFC8402] Filsfils, C., Ed., Previdi, S., Ed., Ginsberg, L., Decraene, B., Litkowski, S., and R. Shakir, "Segment Routing Architecture", [RFC 8402](#), DOI 10.17487/RFC8402, July 2018, <<https://www.rfc-editor.org/info/rfc8402>>.
- [RFC8446] Rescorla, E., "The Transport Layer Security (TLS) Protocol Version 1.3", [RFC 8446](#), DOI 10.17487/RFC8446, August 2018, <<https://www.rfc-editor.org/info/rfc8446>>.
- [RFC8754] Filsfils, C., Ed., Dukes, D., Ed., Previdi, S., Leddy, J., Matsushima, S., and D. Voyer, "IPv6 Segment Routing Header (SRH)", [RFC 8754](#), DOI 10.17487/RFC8754, March 2020, <<https://www.rfc-editor.org/info/rfc8754>>.
- [WG] Wireguard, "Wireguard, <https://www.wireguard.com>", August 2020.

[Appendix A](#). Non-Normative Considerations

AERO can be applied to a multitude of Internetworking scenarios, with each having its own adaptations. The following considerations are provided as non-normative guidance:

A.1. Implementation Strategies for Route Optimization

Route optimization as discussed in [Section 3.14](#) results in the route optimization source (ROS) creating a neighbor cache entry for the target neighbor. The neighbor cache entry is maintained for at most ReachableTime seconds and then deleted unless updated. In order to refresh the neighbor cache entry lifetime before the ReachableTime timer expires, the specification requires implementations to issue a new NS/NA exchange to reset ReachableTime while data packets are still flowing. However, the decision of when to initiate a new NS/NA exchange and to perpetuate the process is left as an implementation detail.

One possible strategy may be to monitor the neighbor cache entry watching for data packets for (ReachableTime - 5) seconds. If any data packets have been sent to the neighbor within this timeframe, then send an NS to receive a new NA. If no data packets have been sent, wait for 5 additional seconds and send an immediate NS if any data packets are sent within this "expiration pending" 5 second window. If no additional data packets are sent within the 5 second window, delete the neighbor cache entry.

The monitoring of the neighbor data packet traffic therefore becomes an asymmetric ongoing process during the neighbor cache entry lifetime. If the neighbor cache entry expires, future data packets will trigger a new NS/NA exchange while the packets themselves are delivered over a longer path until route optimization state is re-established.

A.2. Implicit Mobility Management

OMNI interface neighbors MAY provide a configuration option that allows them to perform implicit mobility management in which no ND messaging is used. In that case, the Client only transmits packets over a single interface at a time, and the neighbor always observes packets arriving from the Client from the same link-layer source address.

If the Client's underlying interface address changes (either due to a readdressing of the original interface or switching to a new interface) the neighbor immediately updates the neighbor cache entry for the Client and begins accepting and sending packets according to the Client's new address. This implicit mobility method applies to use cases such as cellphones with both WiFi and Cellular interfaces where only one of the interfaces is active at a given time, and the Client automatically switches over to the backup interface if the primary interface fails.

A.3. Direct Underlying Interfaces

When a Client's OMNI interface is configured over a Direct interface, the neighbor at the other end of the Direct link can receive packets without any encapsulation. In that case, the Client sends packets over the Direct link according to QoS preferences. If the Direct interface has the highest QoS preference, then the Client's IP packets are transmitted directly to the peer without going through an ANET/INET. If other interfaces have higher QoS preferences, then the Client's IP packets are transmitted via a different interface, which may result in the inclusion of Proxys, Proxy/Servers and Bridges in the communications path. Direct interfaces must be tested periodically for reachability, e.g., via NUD.

A.4. AERO Critical Infrastructure Considerations

AERO Bridges can be either Commercial off-the Shelf (COTS) standard IP routers or virtual machines in the cloud. Bridges must be provisioned, supported and managed by the INET administrative authority, and connected to the Bridges of other INETs via inter-domain peerings. Cost for purchasing, configuring and managing Bridges is nominal even for very large OMNI links.

AERO Proxy/Servers can be standard dedicated server platforms, but most often will be deployed as virtual machines in the cloud. The only requirements for Proxy/Servers are that they can run the AERO user-level code and have at least one network interface connection to the INET. As with Bridges, Proxy/Servers must be provisioned, supported and managed by the INET administrative authority. Cost for purchasing, configuring and managing Proxy/Servers is nominal especially for virtual Proxy/Servers hosted in the cloud.

AERO Proxys are most often standard dedicated server platforms with one network interface connected to the ANET and a second interface connected to an INET. As with Proxy/Servers, the only requirements are that they can run the AERO user-level code and have at least one interface connection to the INET. Proxys must be provisioned, supported and managed by the ANET administrative authority. Cost for purchasing, configuring and managing Proxys is nominal, and borne by the ANET administrative authority.

AERO Relays can be any dedicated server or COTS router platform connected to INETs and/or EUNs. The Relay connects to the OMNI link and engages in eBGP peering with one or more Bridges as a stub AS. The Relay then injects its MNPs and/or non-MNP prefixes into the BGP routing system, and provisions the prefixes to its downstream-attached networks. The Relay can perform ROS/ROR services the same

as for any Proxy/Server, and can route between the MNP and non-MNP address spaces.

A.5. AERO Server Failure Implications

AERO Proxy/Servers may appear as a single point of failure in the architecture, but such is not the case since all Proxy/Servers on the link provide identical services and loss of a Proxy/Server does not imply immediate and/or comprehensive communication failures. Although Clients typically associate with a single Proxy/Server at a time, Proxy/Server failure is quickly detected and conveyed by Bidirectional Forward Detection (BFD) and/or proactive NUD allowing Clients to migrate to new Proxy/Servers.

If a Proxy/Server fails, ongoing packet forwarding to Clients will continue by virtue of the neighbor cache entries that have already been established in route optimization sources (ROs). If a Client also experiences mobility events at roughly the same time the Proxy/Server fails, unsolicited NA messages may be lost but proxy neighbor cache entries in the DEPARTED state will ensure that packet forwarding to the Client's new locations will continue for up to DepartTime seconds.

If a Client is left without a Proxy/Server for an extended timeframe (e.g., greater than ReachableTime seconds) then existing neighbor cache entries will eventually expire and both ongoing and new communications will fail. The original source will continue to retransmit until the Client has established a new Proxy/Server relationship, after which time continuous communications will resume.

Therefore, providing many Proxy/Servers on the link with high availability profiles provides resilience against loss of individual Proxy/Servers and assurance that Clients can establish new Proxy/Server relationships quickly in event of a Proxy/Server failure.

A.6. AERO Client / Server Architecture

The AERO architectural model is client / server in the control plane, with route optimization in the data plane. The same as for common Internet services, the AERO Client discovers the addresses of AERO Proxy/Servers and selects one Proxy/Server to connect to. The AERO service is analogous to common Internet services such as google.com, yahoo.com, cnn.com, etc. However, there is only one AERO service for the link and all Proxy/Servers provide identical services.

Common Internet services provide differing strategies for advertising server addresses to clients. The strategy is conveyed through the DNS resource records returned in response to name resolution queries.

As of January 2020 Internet-based 'nslookup' services were used to determine the following:

- o When a client resolves the domainname "google.com", the DNS always returns one A record (i.e., an IPv4 address) and one AAAA record (i.e., an IPv6 address). The client receives the same addresses each time it resolves the domainname via the same DNS resolver, but may receive different addresses when it resolves the domainname via different DNS resolvers. But, in each case, exactly one A and one AAAA record are returned.
- o When a client resolves the domainname "ietf.org", the DNS always returns one A record and one AAAA record with the same addresses regardless of which DNS resolver is used.
- o When a client resolves the domainname "yahoo.com", the DNS always returns a list of 4 A records and 4 AAAA records. Each time the client resolves the domainname via the same DNS resolver, the same list of addresses are returned but in randomized order (i.e., consistent with a DNS round-robin strategy). But, interestingly, the same addresses are returned (albeit in randomized order) when the domainname is resolved via different DNS resolvers.
- o When a client resolves the domainname "amazon.com", the DNS always returns a list of 3 A records and no AAAA records. As with "yahoo.com", the same three A records are returned from any worldwide Internet connection point in randomized order.

The above example strategies show differing approaches to Internet resilience and service distribution offered by major Internet services. The Google approach exposes only a single IPv4 and a single IPv6 address to clients. Clients can then select whichever IP protocol version offers the best response, but will always use the same IP address according to the current Internet connection point. This means that the IP address offered by the network must lead to a highly-available server and/or service distribution point. In other words, resilience is predicated on high availability within the network and with no client-initiated failovers expected (i.e., it is all-or-nothing from the client's perspective). However, Google does provide for worldwide distributed service distribution by virtue of the fact that each Internet connection point responds with a different IPv6 and IPv4 address. The IETF approach is like google (all-or-nothing from the client's perspective), but provides only a single IPv4 or IPv6 address on a worldwide basis. This means that the addresses must be made highly-available at the network level with no client failover possibility, and if there is any worldwide service distribution it would need to be conducted by a network element that is reached via the IP address acting as a service distribution point.

In contrast to the Google and IETF philosophies, Yahoo and Amazon both provide clients with a (short) list of IP addresses with Yahoo providing both IP protocol versions and Amazon as IPv4-only. The order of the list is randomized with each name service query response, with the effect of round-robin load balancing for service distribution. With a short list of addresses, there is still expectation that the network will implement high availability for each address but in case any single address fails the client can switch over to using a different address. The balance then becomes one of function in the network vs function in the end system.

The same implications observed for common highly-available services in the Internet apply also to the AERO client/server architecture. When an AERO Client connects to one or more ANETs, it discovers one or more AERO Proxy/Server addresses through the mechanisms discussed in earlier sections. Each Proxy/Server address presumably leads to a fault-tolerant clustering arrangement such as supported by Linux-HA, Extended Virtual Synchrony or Paxos. Such an arrangement has precedence in common Internet service deployments in lightweight virtual machines without requiring expensive hardware deployment. Similarly, common Internet service deployments set service IP addresses on service distribution points that may relay requests to many different servers.

For AERO, the expectation is that a combination of the Google/IETF and Yahoo/Amazon philosophies would be employed. The AERO Client connects to different ANET access points and can receive 1-2 Proxy/Server ADM-LLAs at each point. It then selects one AERO Proxy/Server address, and engages in RS/RA exchanges with the same Proxy/Server from all ANET connections. The Client remains with this Proxy/Server unless or until the Proxy/Server fails, in which case it can switch over to an alternate Proxy/Server. The Client can likewise switch over to a different Proxy/Server at any time if there is some reason for it to do so. So, the AERO expectation is for a balance of function in the network and end system, with fault tolerance and resilience at both levels.

Appendix B. Change Log

<< RFC Editor - remove prior to publication >>

Changes from earlier versions to [draft-templin-6man-aero-00](#):

- o Established working baseline reference.

Author's Address

Fred L. Templin (editor)
Boeing Research & Technology
P.O. Box 3707
Seattle, WA 98124
USA

Email: fltemplin@acm.org