



1200 G Street, NW
Suite 500
Washington, DC 20005

P: +1 202-628-6380
W: www.atis.org

August 6, 2015

Alissa Cooper
IETF ecrit and geopriv
alissa@cooperw.in

Re: Emergency Location Standardization Effort at ATIS

Dear Ms. Cooper:

On November 14, 2014, a Roadmap for improving location accuracy for emergency calls in the US was developed and signed by APCO, NENA, AT&T, Sprint, T-Mobile, and Verizon Wireless. This Roadmap was submitted to the FCC in response to an FCC initiative (proceeding 07-114)¹. The FCC then issued its Report and Order² establishing the US regulations in this area that incorporates most of the points in the Roadmap on February 3, 2015.

In response to the Roadmap, the Alliance for Telecommunication Industry Solutions (ATIS) formed the ATIS Emergency Location (ELOC) Task Force (TF) to address the North American-specific aspects for improving emergency location capabilities and services such as location accuracy and operating environments. The ATIS ELOC TF is developing architectures and related procedures and protocols to improve the determination, acquisition, and conveyance of indoor and outdoor emergency location. It is in the process of defining standards, identifying candidate standards, and identifying gaps in existing standards in support of this effort. Consistent with the FCC order and the Roadmap, the ATIS ELOC TF is targeting completion of this activity by May 2016.

The Attachment shows two example architectures that the ATIS ELOC TF has identified that can be used for the determination, acquisition, and conveyance of indoor and outdoor location. The first figure shows an architecture in the control plane for LTE access and the second figure shows an architecture in the user plane for LTE access. These are preliminary and have the potential to change.

One of the goals of the ATIS ELOC TF is to coordinate with other Standards Development Organizations. The ATIS ELOC TF is interested in any standards or plans for standards your organization may have relating to indoor and outdoor location determination, acquisition, and conveyance.

¹ <http://apps.fcc.gov/ecfs/document/view?id=60000988441>

² https://apps.fcc.gov/edocs_public/attachmatch/FCC-15-9A1.pdf

ATIS ELOC TF requests feedback regarding work being undertaken in IETF ecrit and geopriv that may relate to this effort. The next meetings of the ATIS ELOC TF are as follows:

- September 23, 2015 (Chicago, IL)
- November 3, 2015 (Overland Park, KS)

As this work progresses, the ATIS ELOC TF expects to communicate with you any further details that may emerge during the development of ATIS standards that may have some significant interdependence with your activity.

Please feel free to contact us should you have any questions.

Sincerely,

Peter Musgrove, ATIS ELOC TF Co-Chair (CM8655@att.com)

Christian Militeau, ATIS ELOC TF Co-Chair (Christian.Militeau@intrado.com)

cc: Steve Barclay, ATIS Director, Global Standards Development (sbarclay@atis.org)
Jackie Voss, ATIS Manager, Global Standards Development (jvoss@atis.org)

Attachment

The following figure illustrates a potential architecture to provide heightened indoor location accuracy in the control plane. New network elements such as the National Emergency Address Database (NEAD) and the National Emergency Address Manager (NEAM) are shown in green.

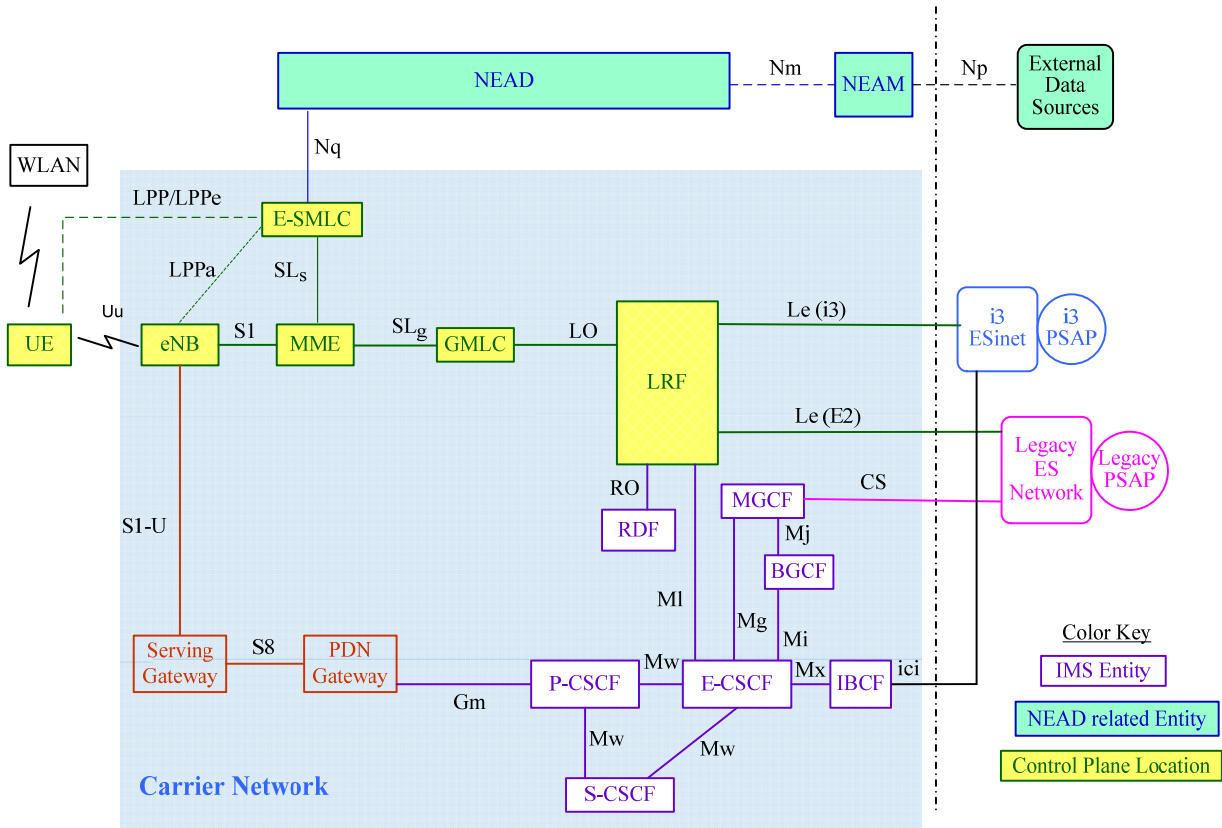


Figure 1 - Architecture for Heightened Accuracy Location with LTE Access and Control Plane Location

The following figure illustrates a potential architecture to provide heightened indoor location accuracy in the user plane.

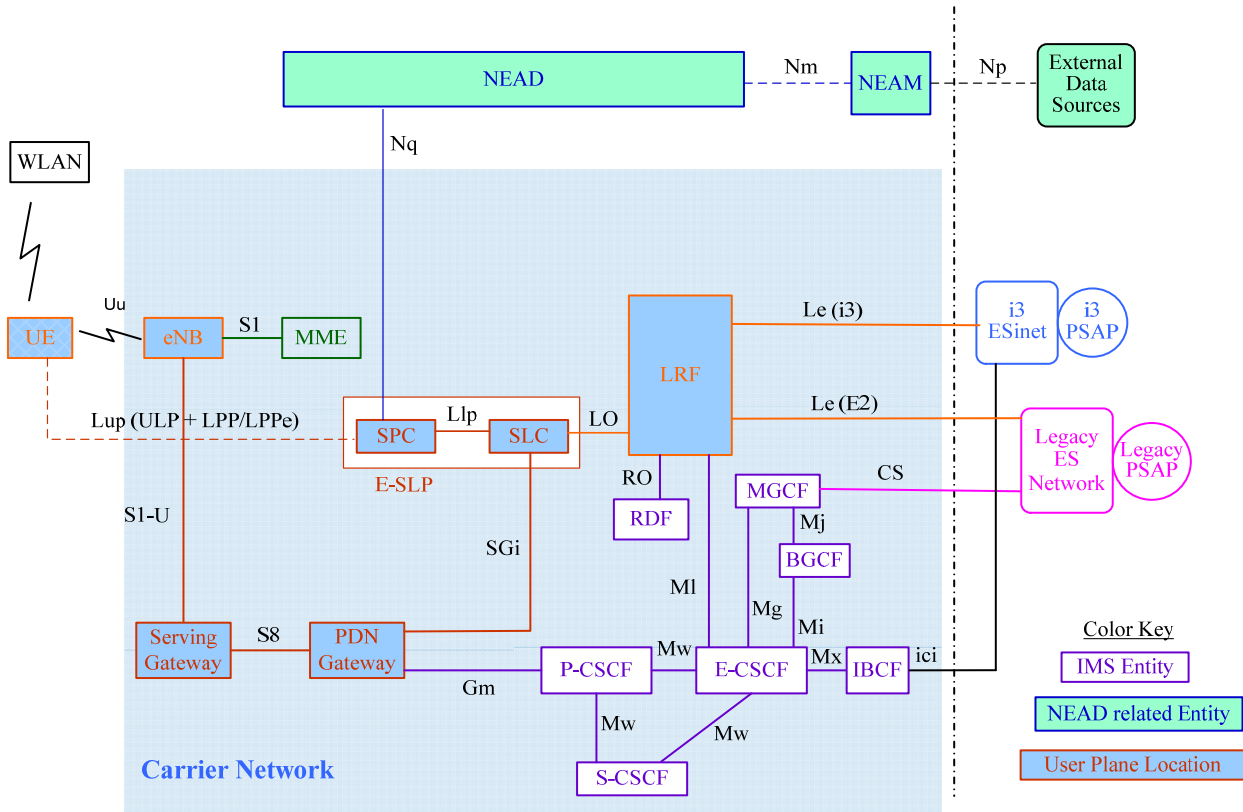


Figure 2 - Architecture for Heightened Accuracy Location with LTE Access and User Plane Location