

draft-lemon-vxlan-gpe-gbp

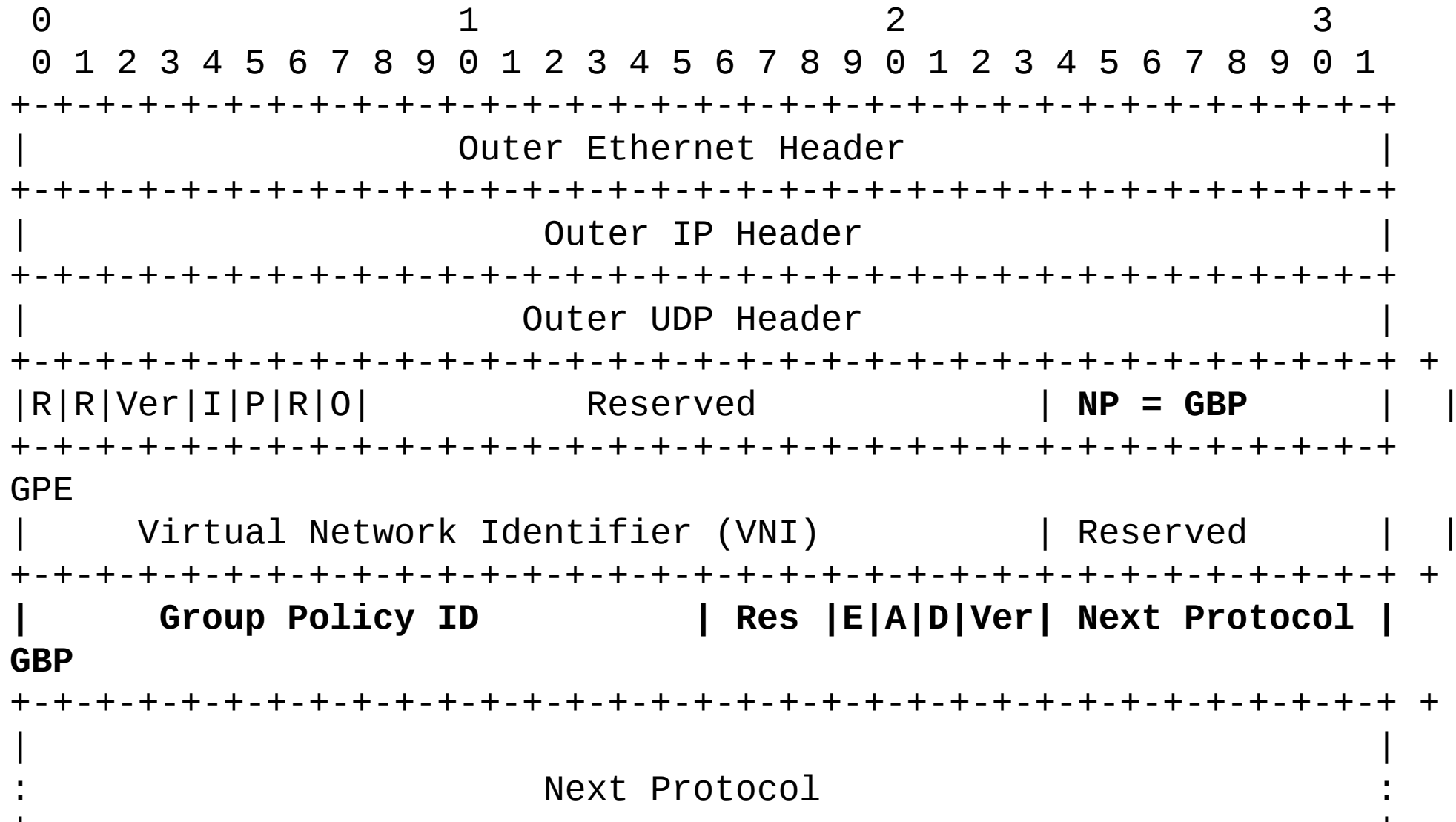
John Lemon, Broadcom

john.lemon@broadcom.com

Desired Use of VXLAN-GPE

- Using what is already defined by draft:
 - Carrying multiple simultaneous protocols
- Add the following next protocol to the draft:
 - Carrying group-based policy (GBP)

Example Usage



Different from draft-smith-vxlan-group-policy

- draft-smith-vxlan-group-policy extends VXLAN to carry just GBP
- draft-lemon-vxlan-gpe-gbp extends VXLAN-GPE to carry GBP
 - Simultaneously with IOAM and/or other protocols

Status of I-Ds

- draft-lemon-vxlan-gpe-gbp-00
 - Initial proposal
 - Reviewed so far by only co-authors
- draft-ietf-nvo3-vxlan-gpe-05
 - Contains code point for GBP, based on this proposal
- draft-smith-vxlan-group-policy-04
 - Serves as reference for GBP concepts

Request

- Provide comments on current draft
- Support IANA code point request in draft-ietf-nvo3-vxlan-gpe-05
- WG adoption of draft-lemon-vxlan-gpe-gbp