

## IETF 101 – CCAMP WG

Optical interface parameters for an external transponder in a WDM network: LMP and Yang

### draft-dharinigert-ccamp-dwdm-if-imp-06

**Editors:**

|                            |  |
|----------------------------|--|
| <b>Dharini Hiremagalur</b> | <a href="mailto:dharinih@juniper.net">dharinih@juniper.net</a>       |
| <b>Gert Grammel</b>        | <a href="mailto:ggrammel@juniper.net">ggrammel@juniper.net</a>       |
| <b>Gabriele Galimberti</b> | <a href="mailto:ggalimbe@cisco.com">ggalimbe@cisco.com</a>           |
| <b>Ruediger Kunze</b>      | <a href="mailto:RKunze@telekom.de">RKunze@telekom.de</a>             |
| <b>Dieter Beller</b>       | <a href="mailto:Dieter.Beller@nokia.com">Dieter.Beller@nokia.com</a> |

### draft-dharini-ccamp-dwdm-if-param-yang-04

|                                   |  |
|-----------------------------------|--|
| <b><u>Ruediger Kunze</u></b>      | <a href="mailto:RKunze@telekom.de">RKunze@telekom.de</a>       |
| <b><u>Gabriele Galimberti</u></b> | <a href="mailto:ggalimbe@cisco.com">ggalimbe@cisco.com</a>     |
| <b><u>Dharini Hiremagalur</u></b> | <a href="mailto:dharinih@juniper.net">dharinih@juniper.net</a> |
| <b><u>Gert Grammel</u></b>        | <a href="mailto:ggrammel@juniper.net">ggrammel@juniper.net</a> |

# LMP Considerations

- LMP covers the discovery/parameter-negotiation use case
- LMP is not used for configuration or provisioning and there is no mentioning of configuration or provisioning in these drafts
- Discovery determines the limitations of the single channel interface to a WDM line system

# Changes from the previous versions

draft-dharinigert-ccamp-dwdm-if-Imp-06

– updated reference documents

# Data Plane Reference Model

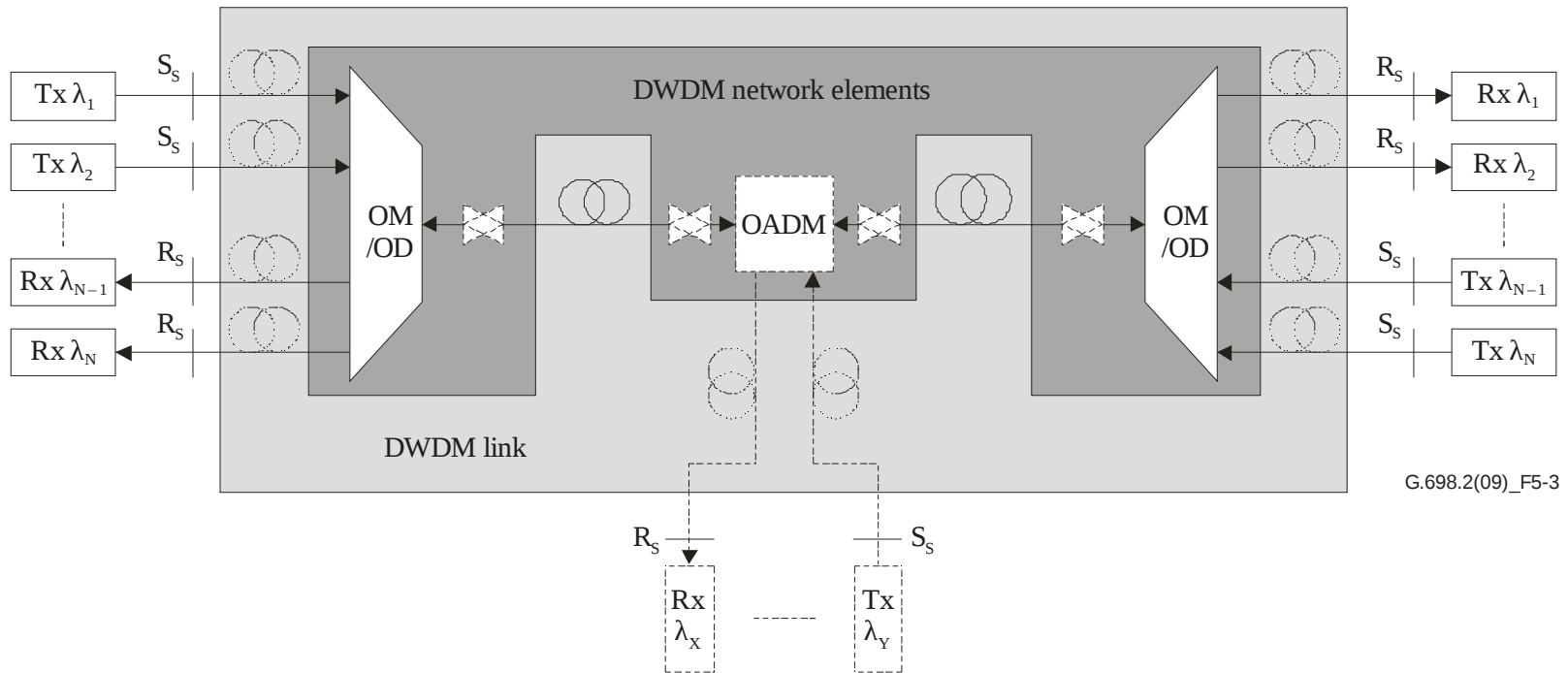


Figure 5-3 – Linear "black link" approach for bidirectional applications

# draft-dharinigert-ccamp-dwdm-if-Imp-06

What is defined here:

- Extension to the Link Management Protocol (LMP/DWDM -rfc4209) for Dense Wavelength Division Multiplexing (DWDM) Optical Line Systems to manage the application code of optical interface parameters in DWDM application
- Output Power
- Current Input Power
- Input power range

# Next Steps

draft-dharinigert-ccamp-dwdm-if-Imp-06

- Solicit feedback/comments from the group.
- Go to WG document request

Keep in mind: LMP is not for configuration!

# Changes from the previous version

- draft-dharini-ccamp-dwdm-if-param-yang-04
  - No changes

## Next Steps

draft-dharini-ccamp-dwdm-if-param-yang-04

- Keep alignment with related effort in CCAMP
- Keep focus on operational aspects
- Address feedbacks



# Thank You!