

SCHC over Sigfox

draft-zuniga-lpwan-schc-over-sigfox-02

Authors:

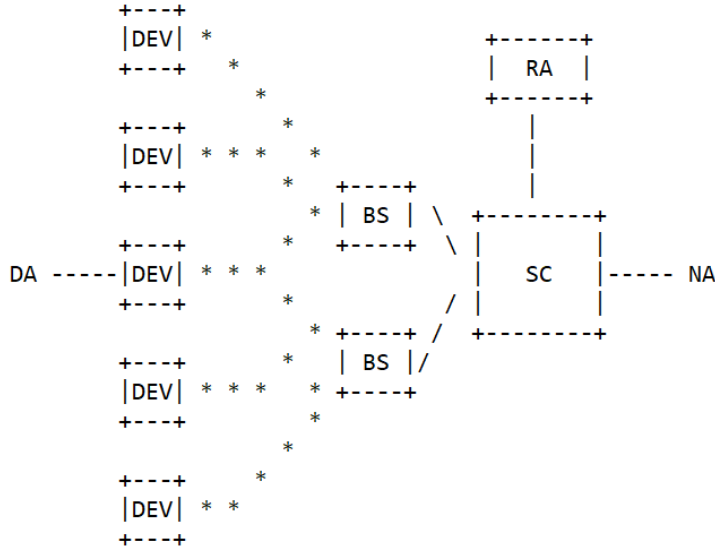
Juan Carlos Zuniga <juancarlos.zuniga@sigfox.com>
Carles Gomez Montenegro <carlesgo@entel.upc.edu>
Laurent Toutain <laurent.toutain@imt-atlantique.fr>

draft-zuniga-lpwan-schc-over-sigfox-02

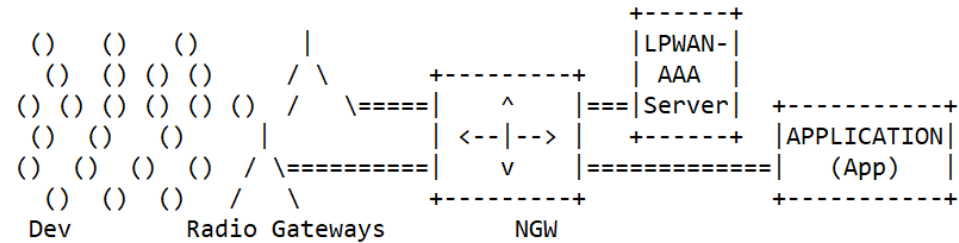
Early draft describing open SCHC parameters that need to be defined for technology-specific implementations

- Network architecture
 - Equivalences
- SCHC Rules
 - Parameters and usage
- Fragmentation
 - Preferred modes of operation
 - Parameters
 - Timers

Architecture



Sigfox network architecture



LPWAN Architecture

On-going work (post-Hackathon-IETF101)

SCHC number of rules being optimized for most common Sigfox-LPWAN applications

Fragmentation parameters being optimized for

- 12-byte UL payload size
- 8-byte DL payload size (UL triggered)

Padding being optimized for UL and DL