

MVPN using Segment Routing and BIER for High Reachability Multicast Deployment

draft-geng-bier-sr-multicast-deployment-00

**Liang Geng @China Mobile
Lei Wang @China Mobile
Jingrong Xie @Huawei
Mike McBride @Huawei
Mach Chen @Huawei**

Problem Statement

- PIM has a high reachability.
 - Only require the Multicast source address is reachable.
- mLDP has a high reachability.
 - Only require the mLDP Root IP address is reachable.
- BIER has a poor reachability.
 - Segmented MVPN introduces per-flow states on boundary routers.
 - It has a limited scope for IGP to advertise the BIER information.
 - Sending to many Sets (SIs) is something like Ingress Replication + BIER.
 - Considering a highly reachable SR(IR) + BIER for Un-Segmented MVPN.

Solution overview

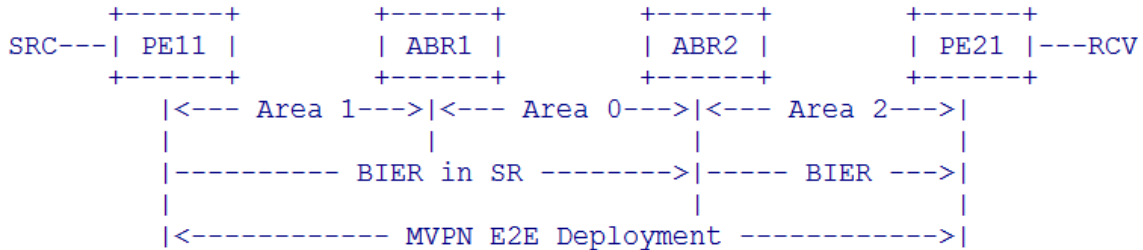


Figure 1: MVPN using BIER and SR for E2E deployment

- SR for high reachability, stateless.
- BIER for bandwidth saving, stateless too.
- A hybrid P2MP tunnel ----SR+BIER, or BIER over SR+hop-by-hop.
- MVPN is deployed end-to-end.

Solution overview: another diagram

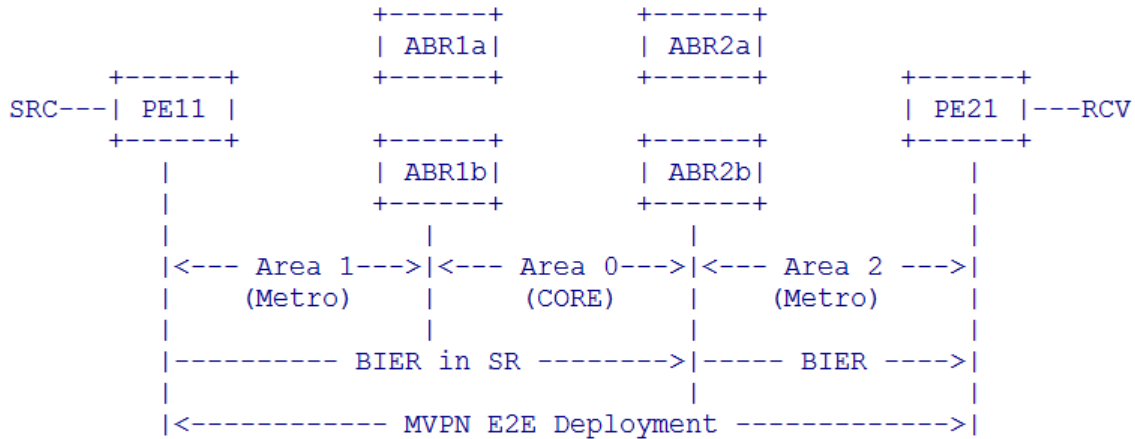
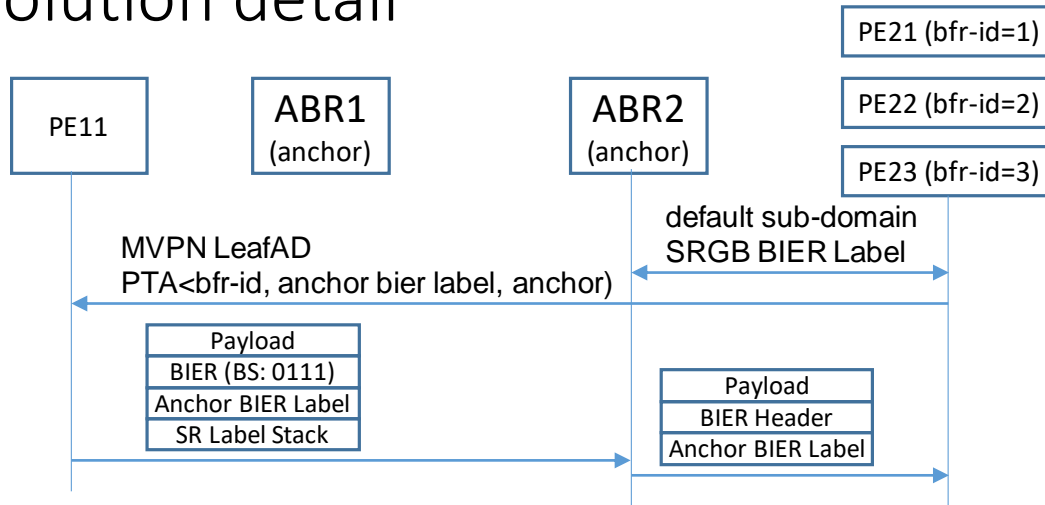


Figure 2: MVPN using BIER and SR for E2E deployment and protection

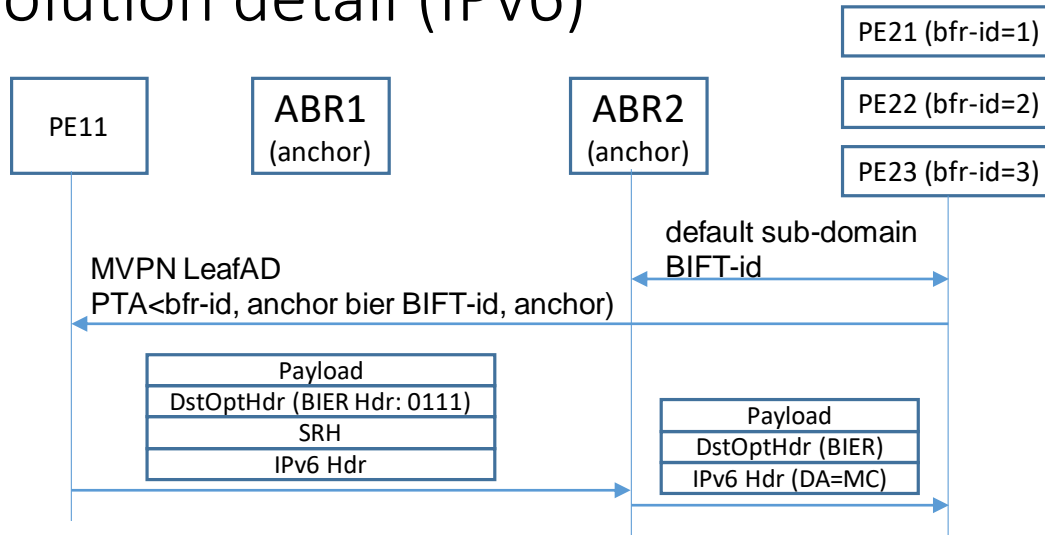
- ABR2a and ABR2b are expected to use the same BIER Label.
- So Use SRGB Label for BIER forwarding in Area2.

Solution detail



- Use SRGB label for BIFT building.
 - ‘static’ config the ‘anchor bier label’ on PE21/PE22/PE23 for adv LeafAD.
 - Anycast BIER label for two anchors per-subdomain (next page).
- Forwarding Plane view: BIER over SR + BIER hop-by-hop.

Solution detail (IPv6)



- Use Domain-wide BIFT-ID for BIFT building.
 - 'static' config the 'anchor bier BIFT-id' on PE21/PE22/PE23 for adv LeafAD.
 - Anycast BIER BIFT-id for two anchors per-subdomain. e.g, ABR2a/ABR2b.
- Data Plane : BIER IPv6 over SRH + BIER IPv6 hop-by-hop.

comments and suggestions are welcome

Thank you !