

draft-ietf-mptcp-rfc6824bis
Update

v10 -> v11

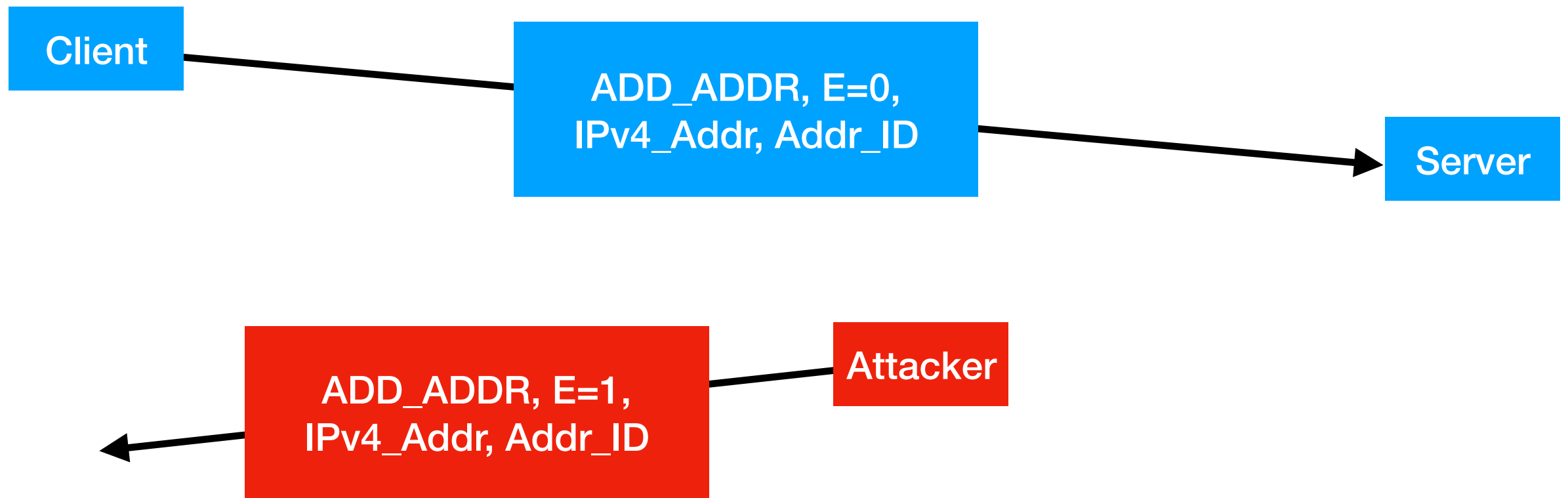
Removing/Moving dependencies on experimental parts

- Removed Section 3.7. MPTCP Experimental Option
- Moved Section 3.11. TCP Fast Open to the Appendix

WGGLC comments

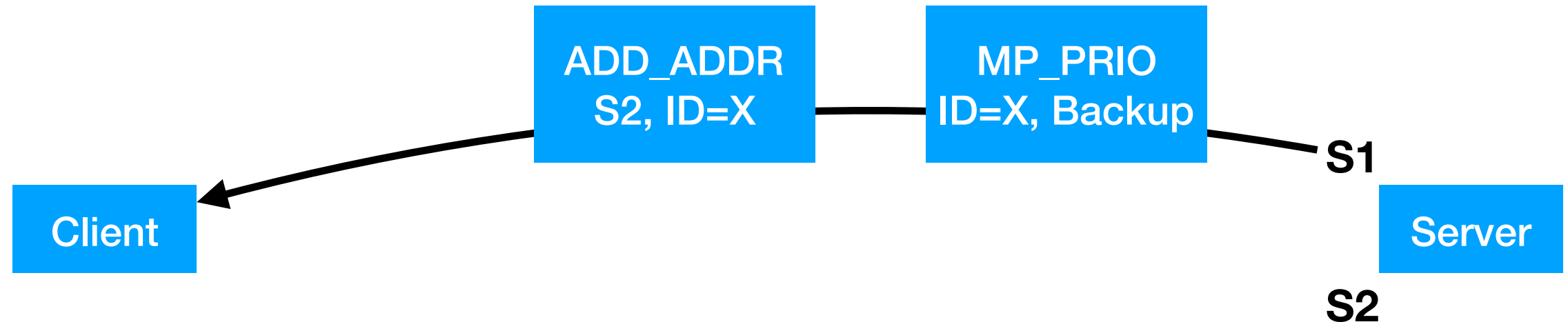
ADD_ADDR Echo-flag

- Can an attacker echo the ADD_ADDR to indicate successful delivery?



WGGLC comments

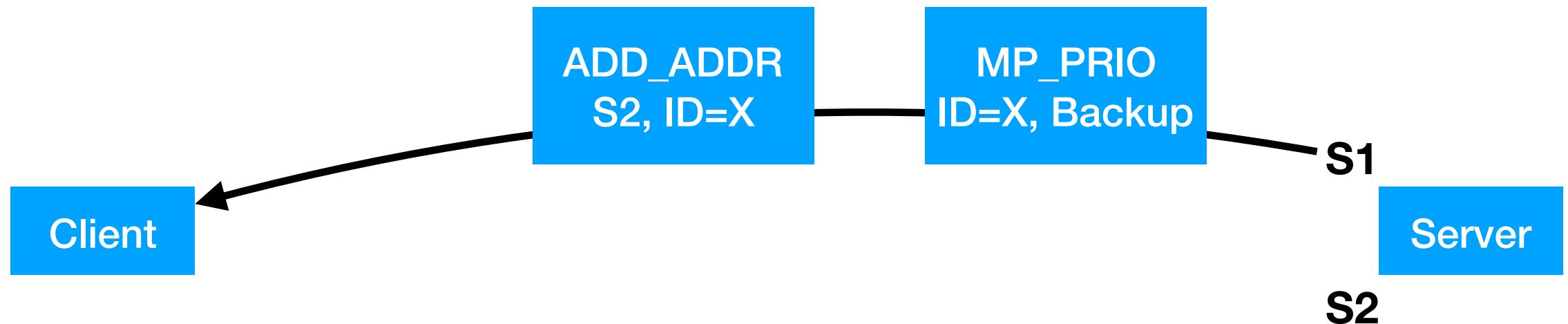
Adding backup-bit to ADD_ADDR?



- v9 removed the address-ID from MP_PRIO (protect against attacker injecting MP_PRIO for other paths)

WGLC comments

Adding backup-bit to ADD_ADDR?



- v9 removed the address-ID from MP_PRIO (protect against attacker injecting MP_PRIO for other paths)

