

# Constrained join proxy

`draft-vanderstok-anima-constrained-join-proxy-01`

Michael Richardson, Peter van der Stok, Panos Kampanakis

IETF 104 - ANIMA Working Group

# Constrained join proxy

BRSKI uses HTTP and TLS

This draft proposes

- Replacement of circuit proxy, using
- CoAP and DTLS to support connection between  
pledge and Domain Registrar

Based on kumar-dice-dtls-relay

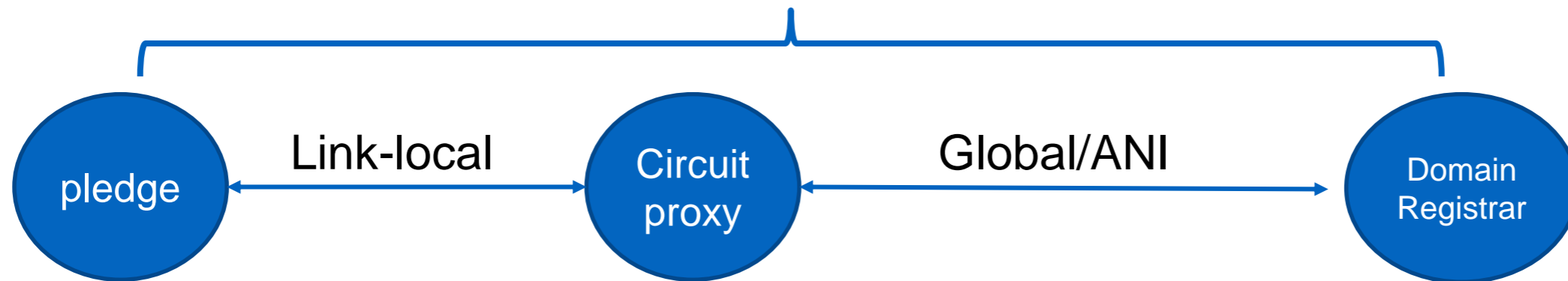
EST: Enrollment over Secure Transport (RFC7030)

BRSKI: Bootstrapping of Remote Secure Key Infrastructures

# Graphic explanation

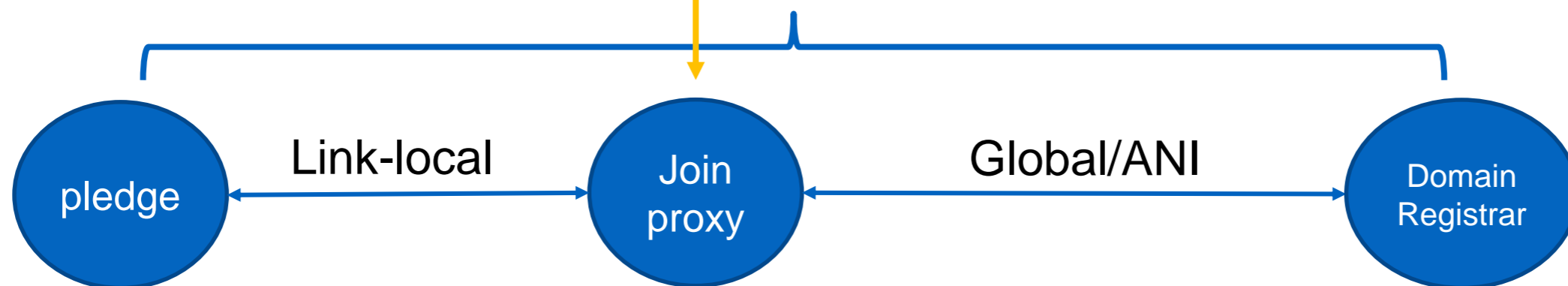
BRSKI-19

HTTP TLS



Constrained devices

COAP DTLS



# State-full <-> State-less



Latest draft version adds state-full mode

## **State-full:**

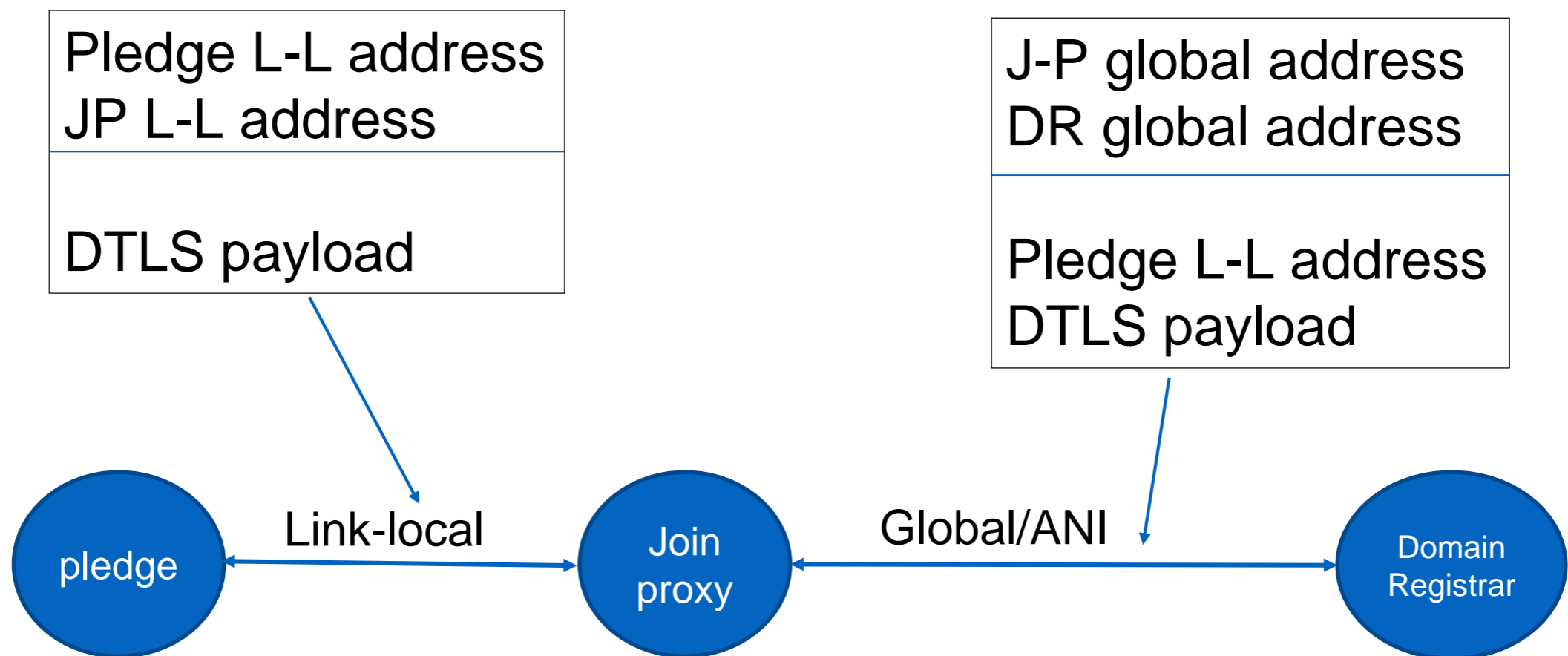
Join-proxy stores link-local address and port of pledge  
(a form of NAT66)

## **State-less:**

Link-local address and port of pledge stored in network

# Current discussion

What is the format of the state-less packet between join-proxy and Domain Registrar



# Draft relations

Draft	WG	uses	extends
BRSKI	ANIMA	HTTP/TLS EST CMS	EST with Voucher requests MASA Circuit proxy
EST-coaps	ACE	CoAP/DTLS EST	EST with coap/dtls
Voucher	ANIMA	YANG/JSON CMS	BRSKI with voucher spec
Constrained voucher	ANIMA	YANG/CBOR Voucher COSE/CMS/CBOR	Voucher with 2 fields BRSKI with COSE/CBOR and SID BRSKI with CMS/CBOR and SID
Constrained Join-proxy	ANIMA?	CBOR multipart-ct draft ?	BRSKI with constrained join proxy and EST-coaps

# TODO

- Update example payloads
- Improve/extend discovery text
- Hope for comments

# Question

Interesting to ANIMA?