

BIER OSPFv3 Extensions
draft-psenak-bier-ospfv3-extensions

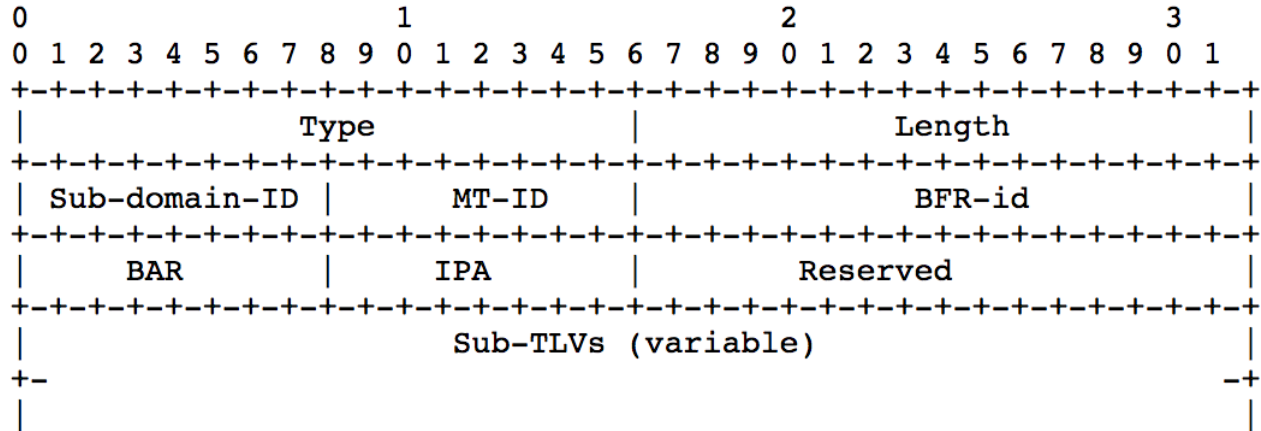
IETF 104, Prague, CZ

Peter Psenak
Nagendra Kumar Nainar
Ijsbrand Wijnands

OSPFv3 Extensions

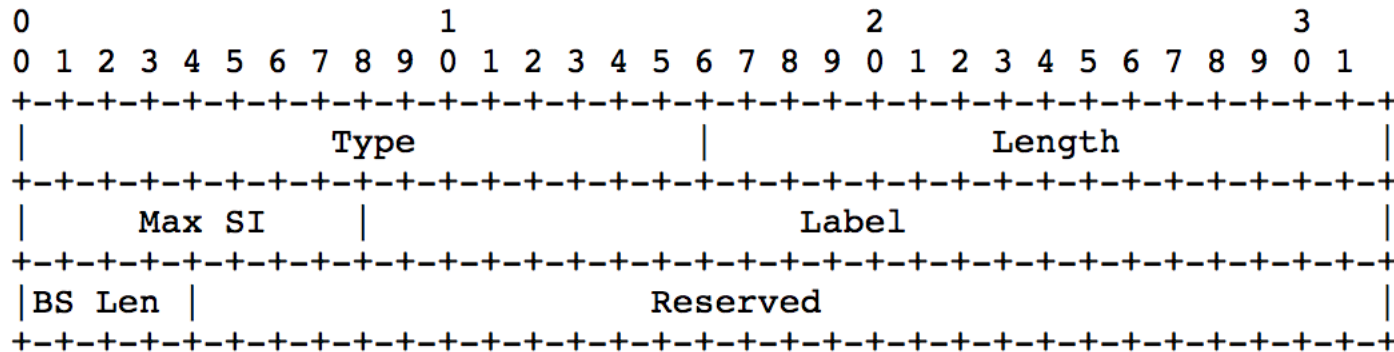
- RFC 8444 describes the OSPFv2 protocol extension for BIER with MPLS Encapsulation.
- **draft-psenak-bier-ospfv3-extensions** describes OSPFv3 protocol extension for BIER.
- Flooding scope and other machinery is same as OSPFv2 (defined in RFC8444)

BIER Sub-TLV



- Proposes a new Sub-TLV for Prefix TLV
 - Carries BIER specific Information
 - Carried in the below Prefix TLVs:
 - Intra Area Prefix TLV
 - Inter Area Prefix TLV

BIER MPLS Sub-TLV



- Sub-TLV carried in BIER Sub-TLV ^ㄟ
 - Carries MPLS encapsulation specific Information
 - BIER-MPLS Label for each BS Length & Sub-domain ID
 - Specifies a range of label (label, label+MAX_SI)

Next Steps

- Review Comments
- Work Group Adoption Request

Thank you!

Questions/Comments?