

LSoE

Link State over Ether

draft-ietf-lsvr-lsoe-01.txt

LSVR WG

2019.03.28

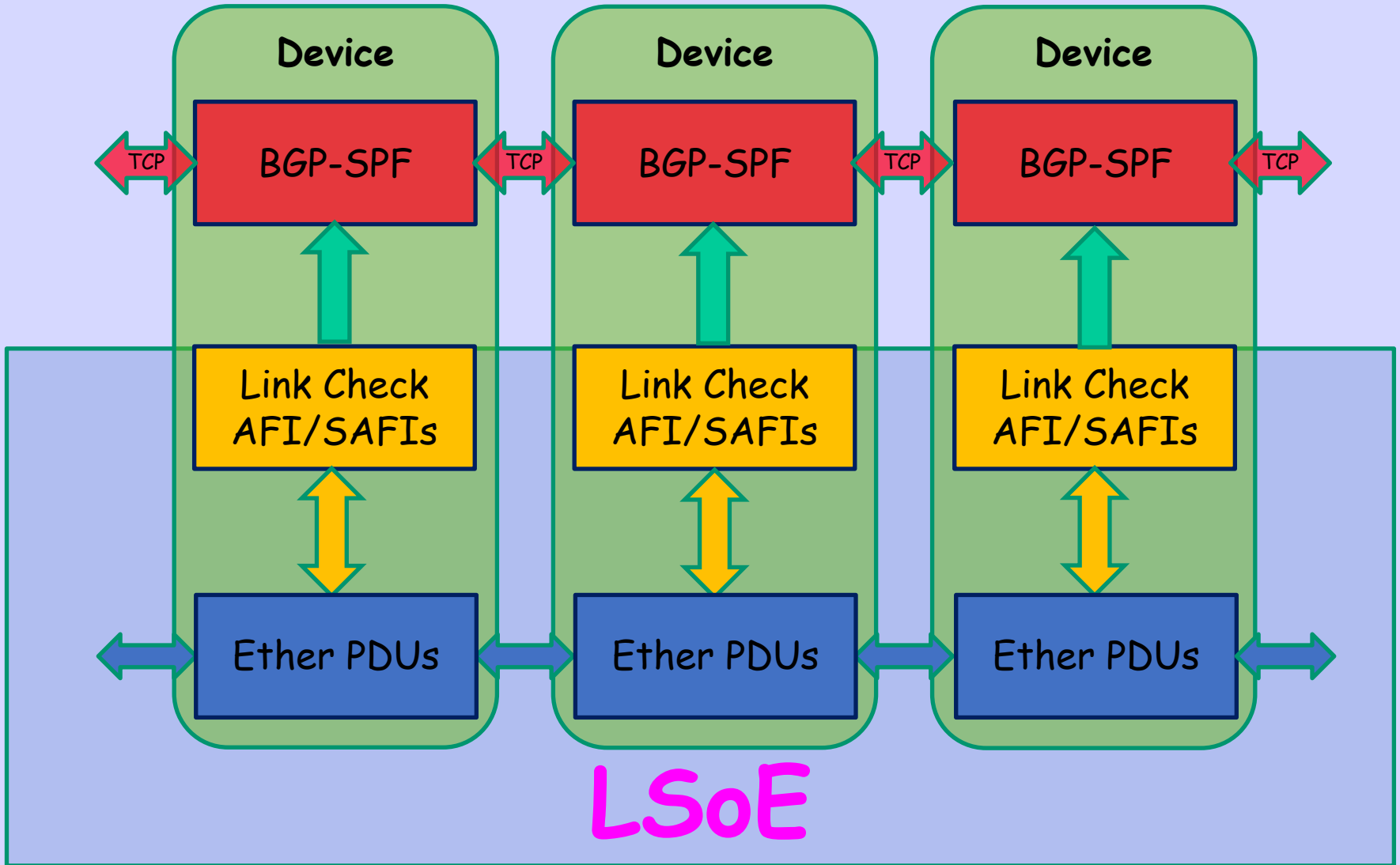
randy@psg.com, sra@hactrn.net, keyur@arrcus.com

Thanks to
John Scudder, Rob Austein,
Neeraj Malhotra, Larry
Kreeger, Paul Congdon,
and others, it is now much
more mature

Remember the Goal

Link-Layer Topology
Discovery and Liveless
for LSVR / BGP-SPF

Just a Reminder



You Read the Draft

So What's New?

Neeraj has Extended it



Always a Good Sign

draft-malhotra-bess-evpn-lsoe-00.txt

Devil is in the Details



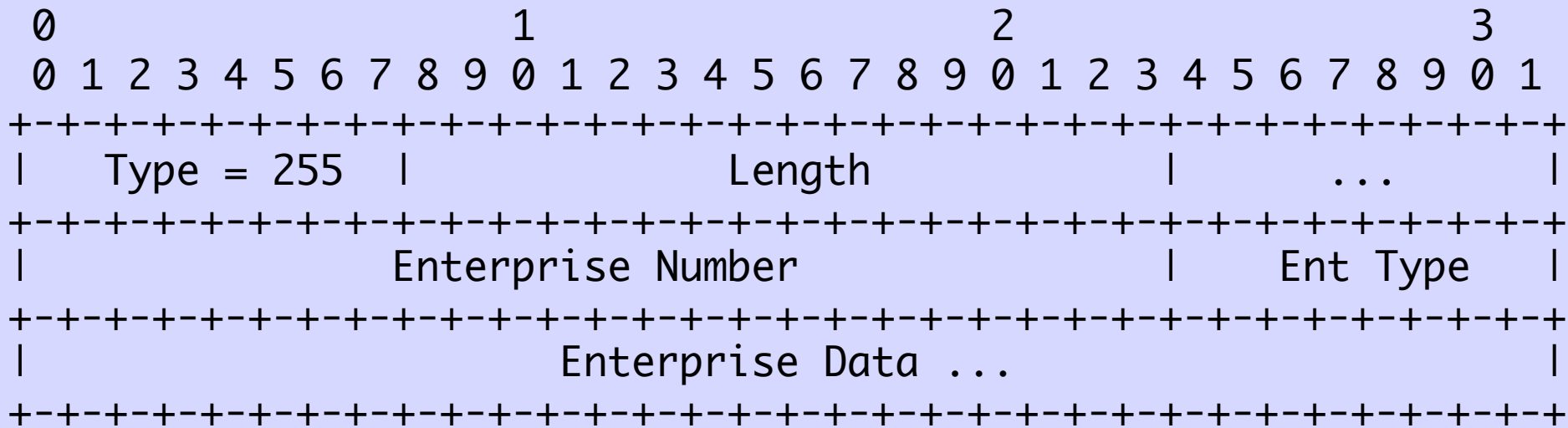
Transport Layer to handle
64k octet PDUs is now
Clearly Delineated.

We could raise this limit
evpn-Isoc is using in
the extension for EVPNs

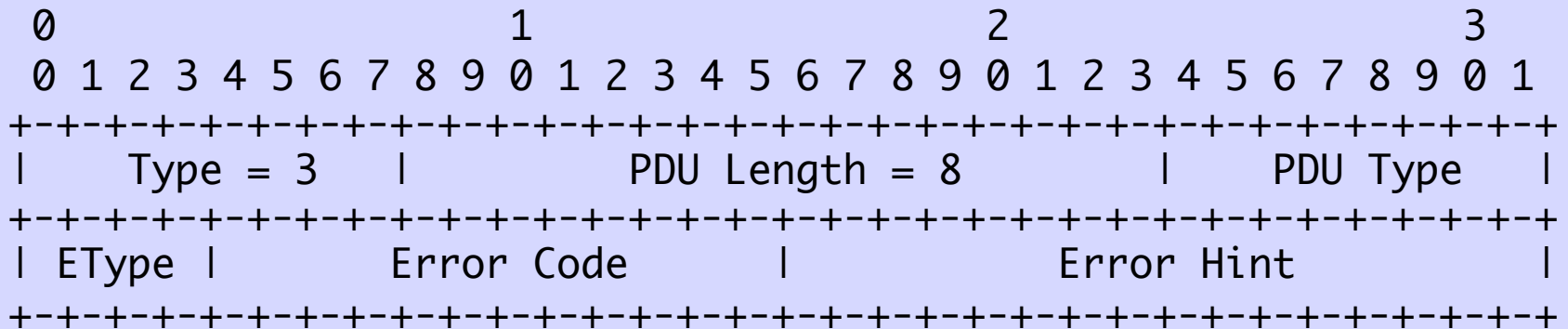
Duplicate Frame and PDU Detection

Retransmission
on Timeout for ACK

Vendor Extension



Explicit ACK/ERROR



EType, Error Code, Error Hint = 0 /* no error, just an ACK */

HELLO and KEEPALIVE
are still separate

UniCast vs MultiCast
& Separate Timers

Do we add some nice
short signature
(80 bits or so)
to each PDU, validate,
and raise an error?

The Law of Ethernet
says MACs are unique
and per interface
They seem not to be!
Need to accommodate?



jgs asked for a
state machine

sra wrote one in

Python 3 😊

same length as the spec

You wanted

denotational semantics?



we're waiting for
Keyur's OK to
open source it

DRAFT NEEDS REVIEW

Would prefer to get
volunteer reviewers
without having to
WGLC it