



Applicability of BIER Multicast Overlay for Adaptive Streaming Services

<https://tools.ietf.org/html/draft-ietf-bier-multicast-http-response-01>

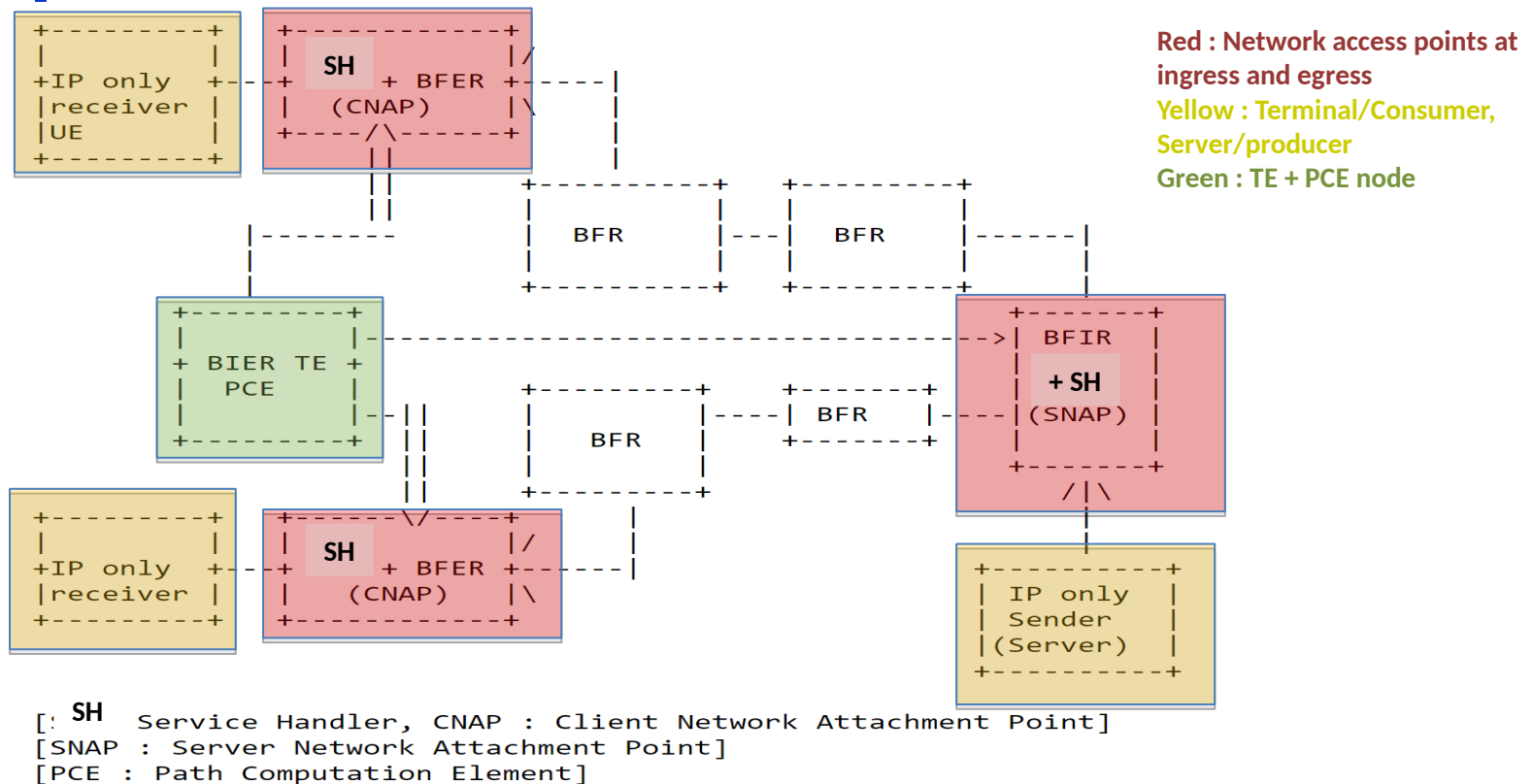
Dirk Trossen, Akbar Rahman, Chonggang Wang, Toerless Eckert

IETF-105, BIER WG, July 2019

Recap : BIER Multicast Overlay for HTTP Response

- Presented this WG Document's v00 in IETF 104
- Example realization of the use case (<https://tools.ietf.org/html/draft-ietf-bier-use-cases-06#section-3.10>)
- Reference Architecture and Realization of the “multicast overlay” over IPMC and BIER was described
- Pros and Cons for both were considered
- For realization over BIER, operational details including functional elements such as PCE, Service Handler were described

Recap : Reference Architecture over BIER



- The multicast overlay is formed by the BFIR and BFER of the BIER layer and the additional SH (Service Handler) and PCE (Path Computation Element) elements

Details Added

- Extended “3. Use Cases” to two categories
 - 3.1. HTTP-based Streaming (from v00)
 - Included description of DASH.
 - 3.2. HTTP-based Software Updates (newly added in v01)
- Enhanced “6. Security Considerations”
 - Added description of HTTPS-based exchanges.

Next Steps

- Request for a WG Last Call