

In-situ Flow Information (iFIT)

[draft-song-opsawg-ifit-framework-07](#)

Haoyu Song (Futurewei)

Fengwei Qin (China Mobile)

Huanan Chen (China Telecom)

Jongyoon Shin (SK Telecom)

Jaewhan Jin (LG U+)

Motivation

- Clarify the terms and underlying techniques for data plane on-path telemetry
- Spell out key deployment challenges, especially in carrier networks
- Propose a high level architectural framework with a few key components aiming to solve the challenges
- Present the potential to apply such a framework to realize closed-loop telemetry application
- Identify gaps and directions for related standard development
- Out of scope: component/interface specification and implementation

On-path Data Plane Telemetry

Passive

Hybrid

Active

Passport

Postcard

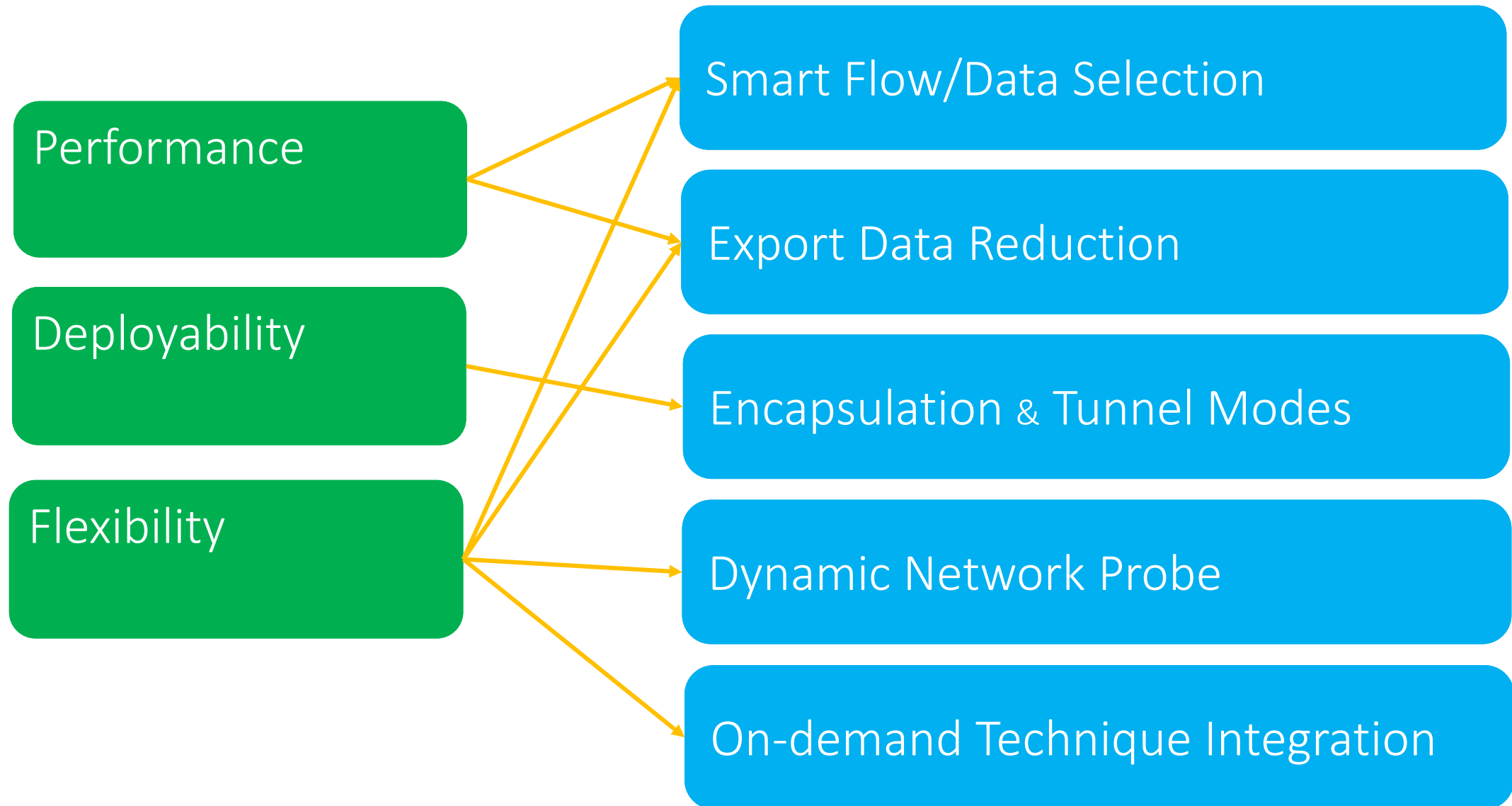
IOAM Trace
IOAM E2E
IFA
HTS
EAM

IOAM DEX
PBT-M

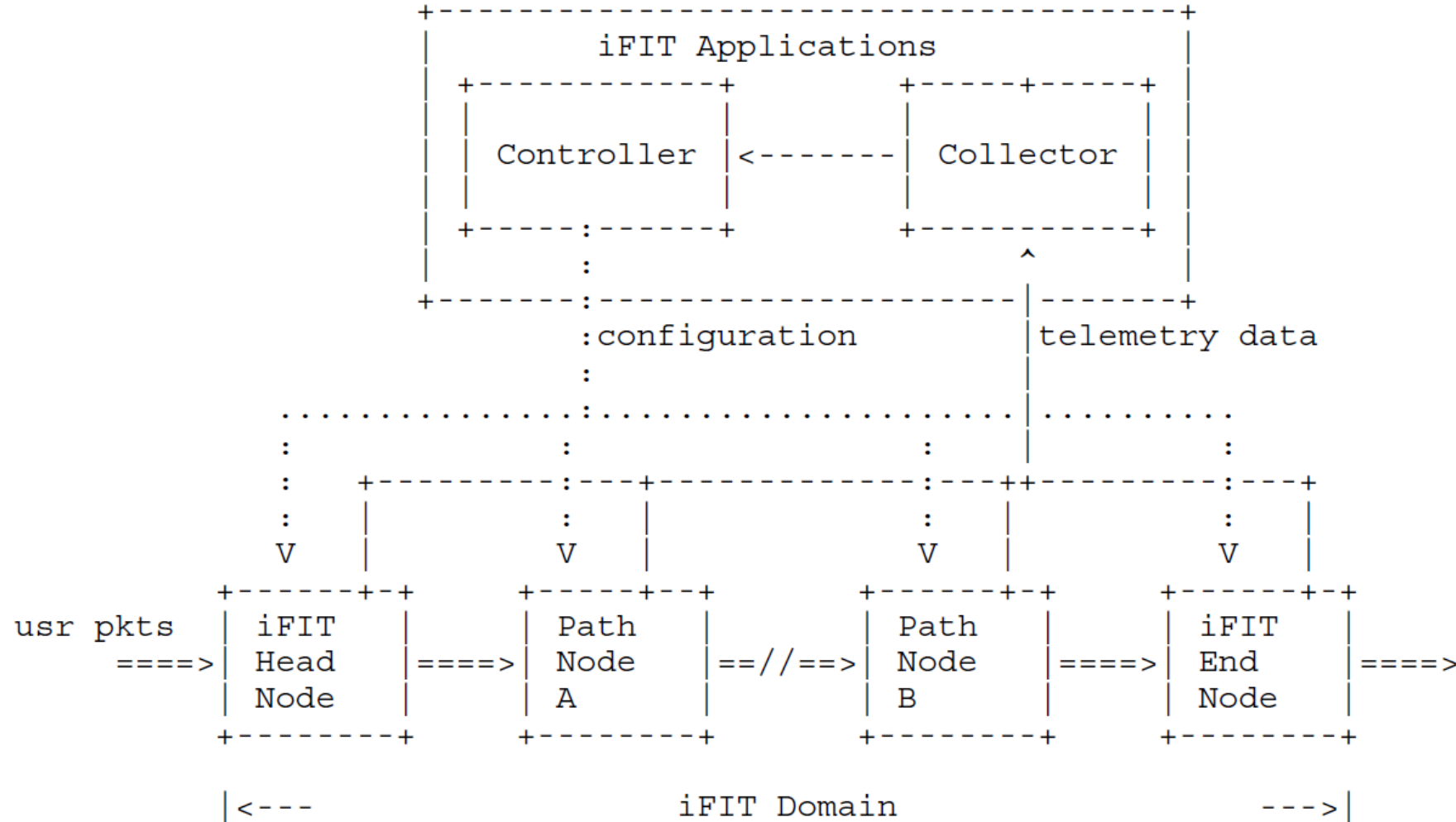
Challenges for Deployment in Carrier Networks

- Performance
 - Forwarding impact due to packet processing
 - Bandwidth and server overload due to exported data
- Limited data flexibility and extensibility
- Deployment issues
 - Encapsulation
 - Tunnel
- Primitives, models, API for telemetry applications (not covered in this draft)

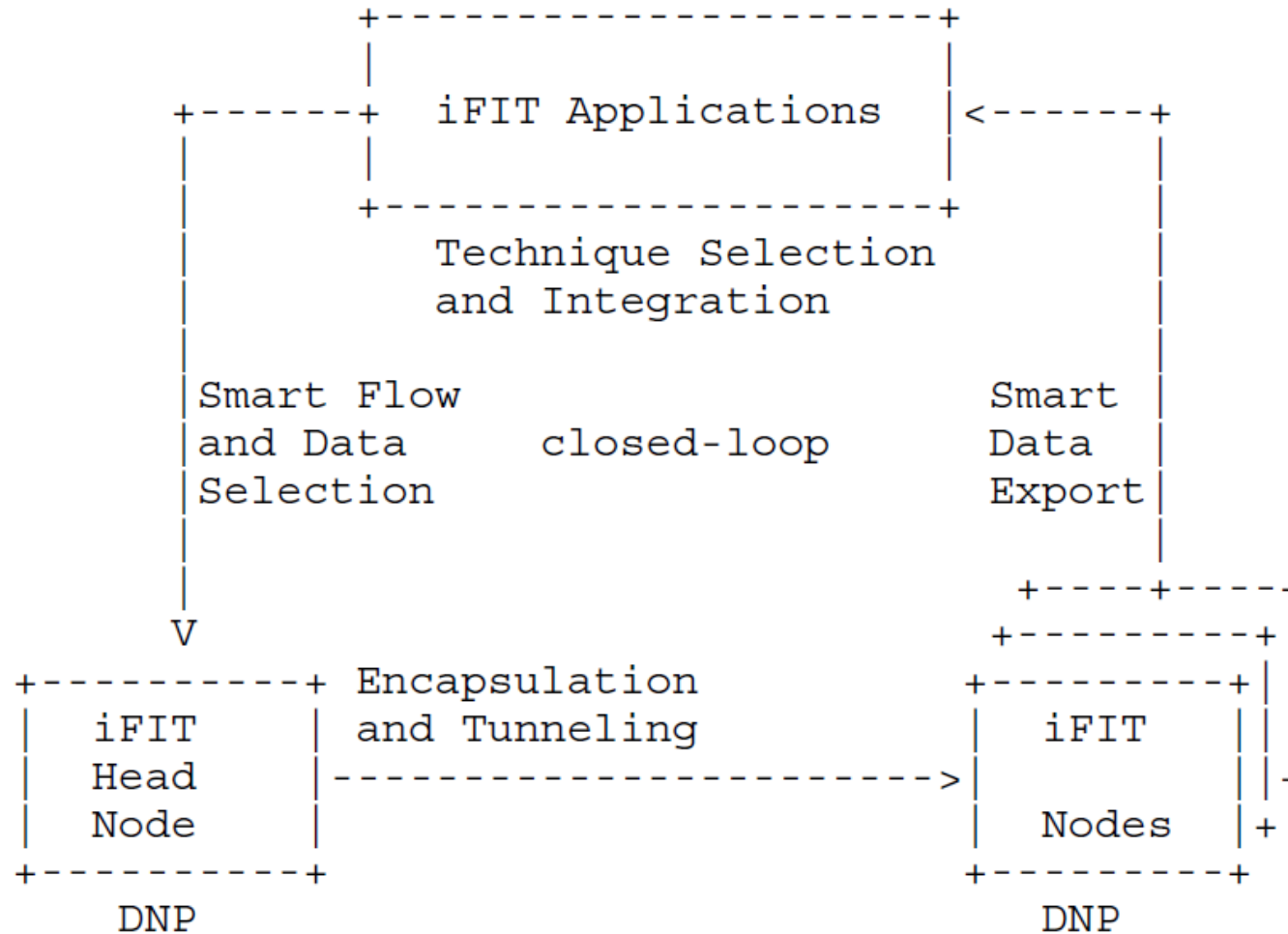
Key Components Addressing the Challenges



iFIT Architectural Framework



Closed-Loop Architecture for Telemetry Applications



Examples

- Smart Flow and Data Selection
 - Sketch-guided Elephant Flow Selection
 - Adaptive Packet Sampling
- Smart Data Export
 - On-demand Anomaly Monitor

Discussion & Next Steps

- Main contribution
 - Challenges and requirements
 - High level framework
- Collect feedbacks
- Request for WG adoption
- Future work
 - Analysis on standard gaps for interfaces
 - ???