

SRv6 Path Egress Protection

draft-hu-rtgwg-srv6-egress-protection-03

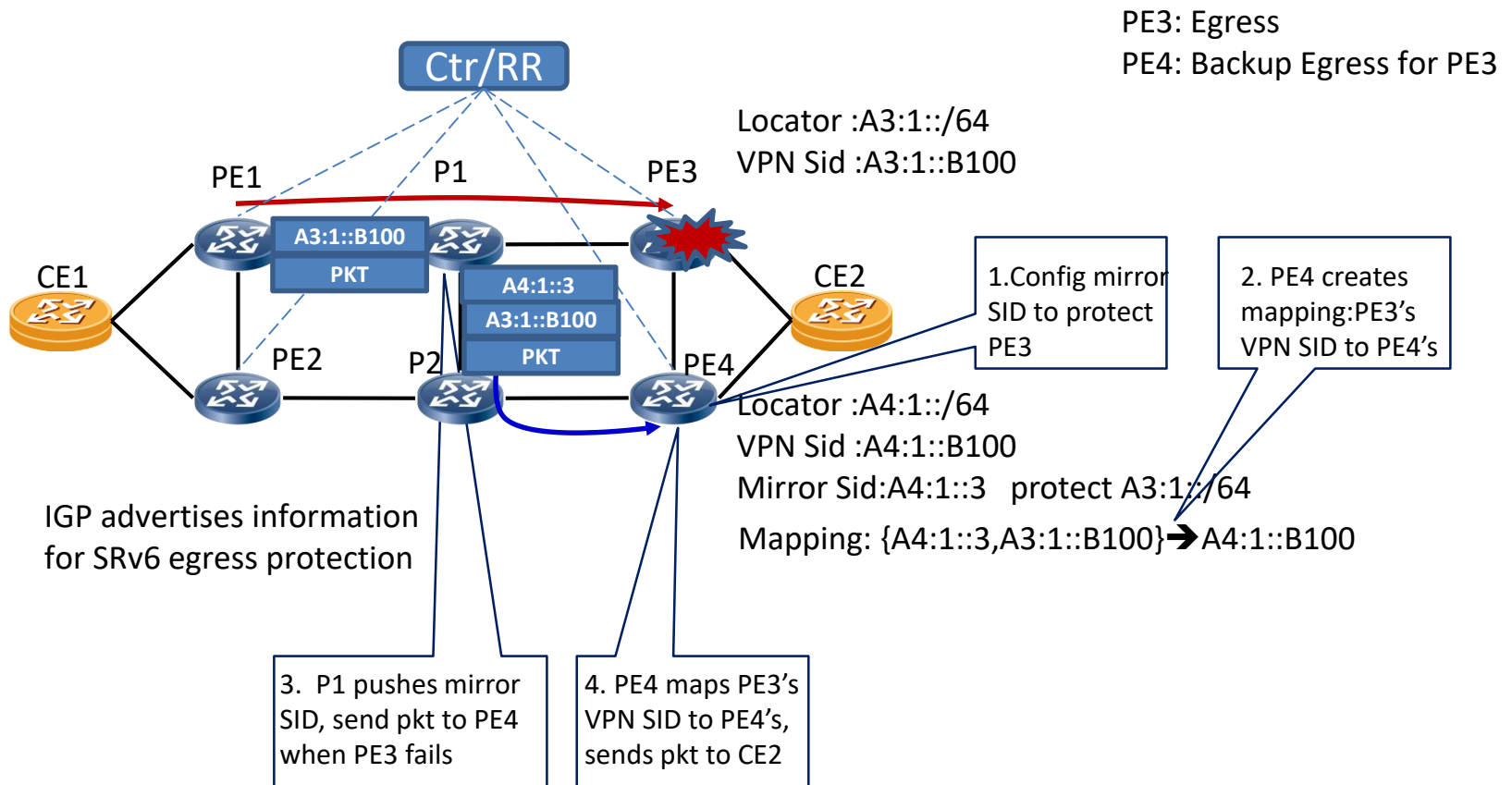
Zhibo Hu
Huaimo Chen
Huanan Chen
Peng Wu

IETF 106

Overview

Existing SR path FRR for transit nodes

Proposal for FRR for egress of SRv6 path



Updates to Previous Versions

- Added Sections “Security Considerations” and “IANA Considerations”
- Updated References
- Some Editorial Changes

Next Steps

- Welcome comments
- Request for Adoption