

L3DL

Layer 3 Discovery & Liveness

draft-ietf-lsvr-l3dl-06

LSVR WG

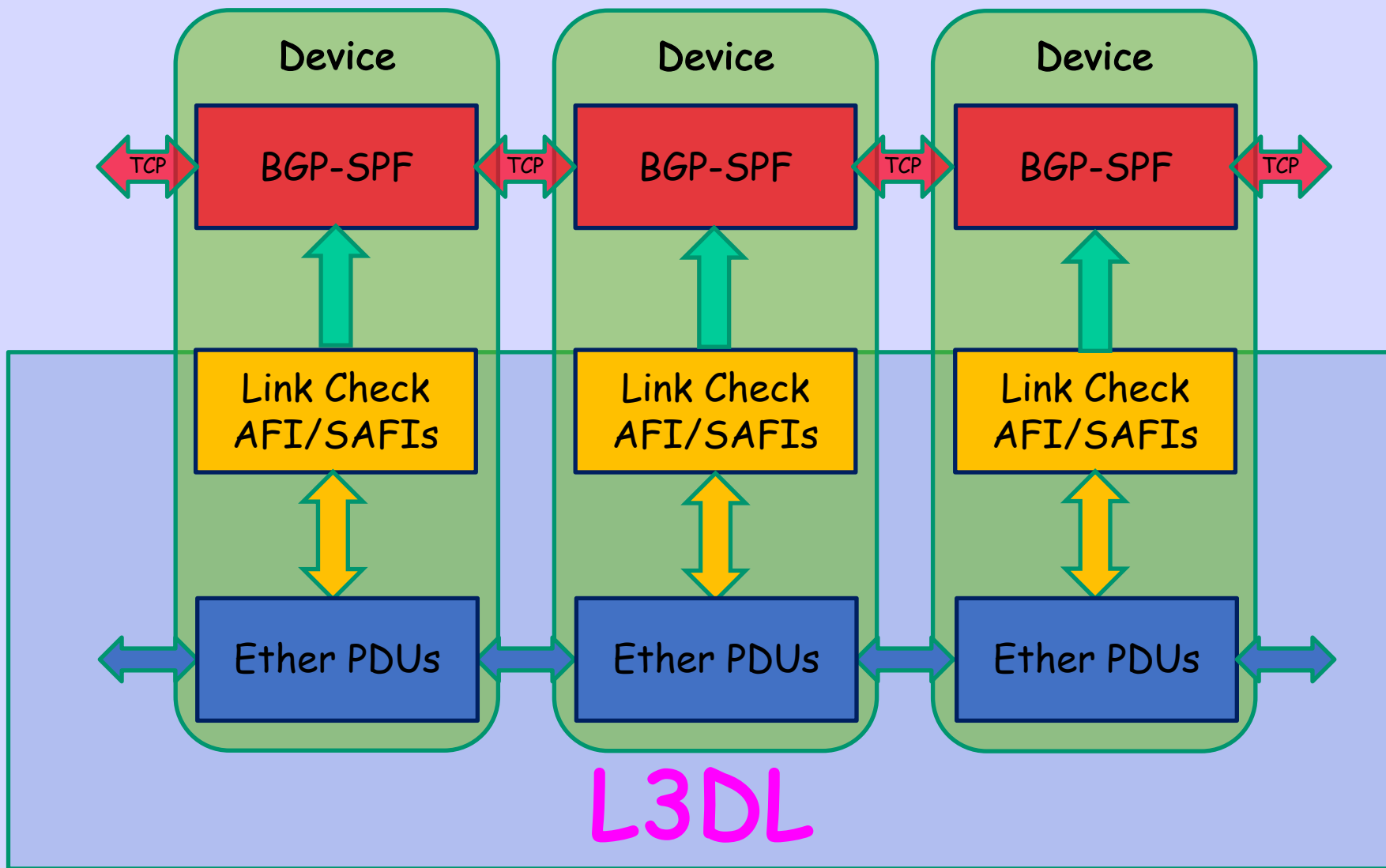
2020.07.30

randy@psg.com, sra@hactrn.net, keyur@arrcus.com

Primary Goal

Layer 3 Topology
Discovery and Liveless
for LSVR / BGP-SPF

Just a Reminder



This is NOT a
Routing Protocol

Discovers the
Layer 3 Addresses
on a PointToPoint Link

Jörg Ott did a
Very Helpful
Transport Directorate
Early Review

You Read the Draft

Then why did you not
report the bugs Rob
did yesterday?

-06 Published
No Significant Change

We have Two
Implementations
One Python3 (LSOE)
One in Golang

L3DL-Signing

Layer 3 Discovery and Liveness
Signing

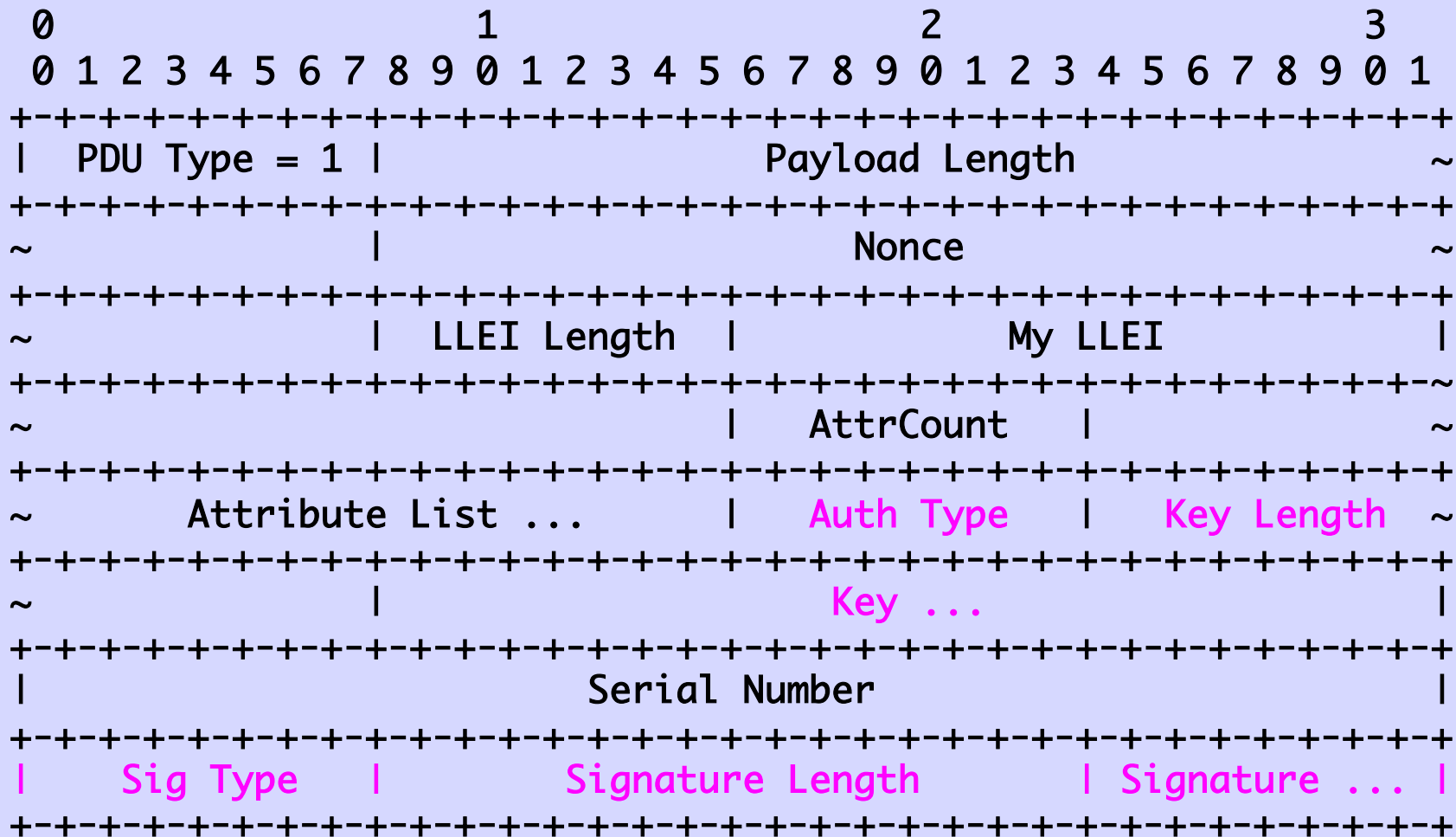
draft-ietf-lsvr-l3dl-signing

LSVR WG

2020.07.30

randy@psg.com, sra@hactrn.net, keyur@arrcus.com

OPEN PDU



PDU Sender Signing

- The Key in the OPEN PDU SHOULD be the public key of an asymmetric key pair.
- The sender signs with the private key, of course.
- The device sending the OPEN may use one key for all links, a different key for each link, or some aggregation(s) thereof

Trust on First Use (TOFU)

- The OPEN key is generated on the sending device
- It is believed without question by the receiver
- Used to verify all subsequent PDUs from the same sender with the same Key Type.

PKI-Based Keying

- An enrollment step is performed.
- The public key is put into a certificate, which is signed by the the operational environment's trust anchor.
- The relying party can be confident that the public key is under control of the identified L3DL protocol entity.

Do Not Be Afraid



This is NOT X.509

- These need not be X.509 certificates
- X.509 is much more complicated than we need
- They are just signatures of one key (the session key supplied in the Key field of the OPEN PDU) by another key (the trust anchor)
- Every device must have TA burned in

Verify is the Same

- The two methods are indistinguishable
- The key provided in the OPEN PDU is used to verify the signatures of subsequent PDUs.
- The difference that PKI-based keys may be verified against the trust anchor when the OPEN PDU is received.

The Choice of Which Keying is Left to the Operator

WG Last Call
was Requested
Datatracker
does not show WGLC

L3DL-ULPC

Upper Layer Protocol Configuration

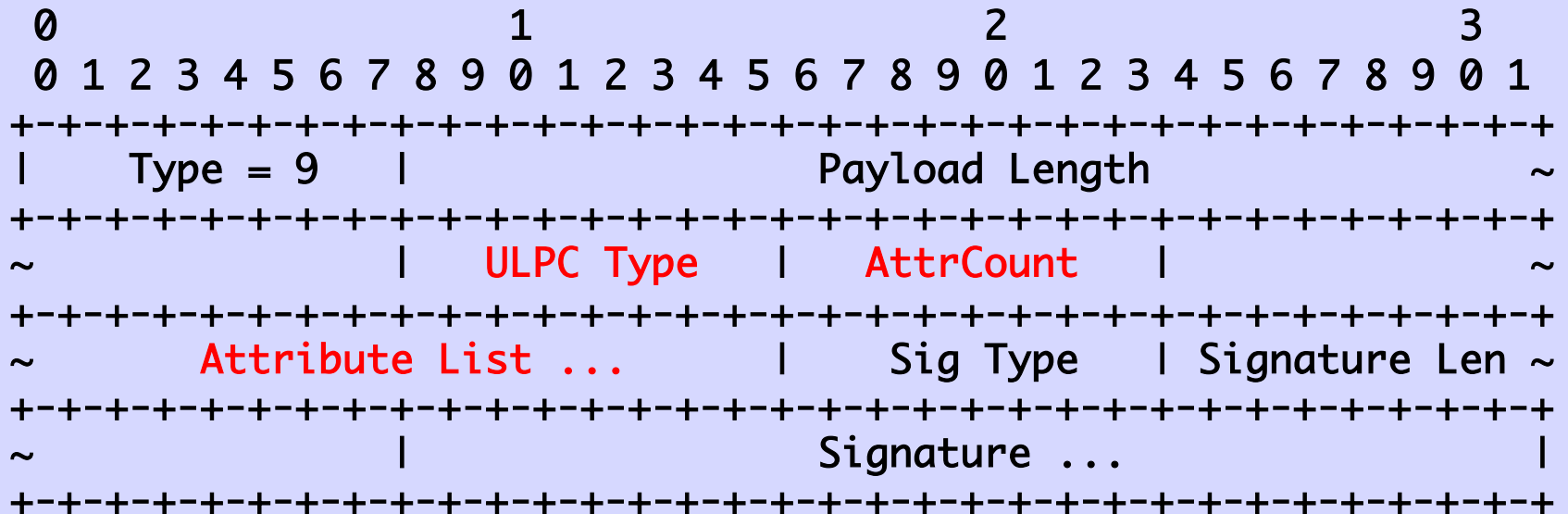
draft-ietf-lsvr-l3dl-ulpc-00

LSVR WG

2020.07.30

randy@psg.com, sra@hactrn.net, keyur@arrcus.com

L3DL PDU for ULPC



Provide the minimal set
of configuration
parameters for BGP
OPEN to succeed

Not to replace or
conflict with data
exchanged by
BGP OPEN

Multiple sources of truth
are a recipe for
complexity and pain

ULPC for BGP

```
  0                               1                               2                               3
  0 1 2 3 4 5 6 7 8 9 0 1 2 3 4 5 6 7 8 9 0 1 2 3 4 5 6 7 8 9 0 1
+---+---+---+---+---+---+---+---+---+---+---+---+---+---+---+---+---+---+---+---+---+---+---+---+---+
| Attr Type = 1 | Attr Len = 48 |                               My ASN                               ~
+---+---+---+---+---+---+---+---+---+---+---+---+---+---+---+---+---+---+---+---+---+---+---+---+---+
~
+---+---+---+---+---+---+---+---+---+---+---+---+---+---+---+---+---+---+---+---+---+---+---+---+---+
```

```
  0                               1                               2                               3
  0 1 2 3 4 5 6 7 8 9 0 1 2 3 4 5 6 7 8 9 0 1 2 3 4 5 6 7 8 9 0 1
+---+---+---+---+---+---+---+---+---+---+---+---+---+---+---+---+---+---+---+---+---+---+---+---+---+
| Attr Type = 2 | Attr Len = 56 |       My IPv4 Peering Address       ~
+---+---+---+---+---+---+---+---+---+---+---+---+---+---+---+---+---+---+---+---+---+---+---+---+---+
~
+---+---+---+---+---+---+---+---+---+---+---+---+---+---+---+---+---+---+---+---+---+---+---+---+---+
|       Prefix Len       |
+---+---+---+---+---+---+---+---+---+---+---+---+---+---+---+---+---+---+---+---+---+---+---+---+---+
```

```
  0                               1                               2                               3
  0 1 2 3 4 5 6 7 8 9 0 1 2 3 4 5 6 7 8 9 0 1 2 3 4 5 6 7 8 9 0 1
+---+---+---+---+---+---+---+---+---+---+---+---+---+---+---+---+---+---+---+---+---+---+---+---+---+
| Attr Type = 4 |     Attr Len     |                               ~
+---+---+---+---+---+---+---+---+---+---+---+---+---+---+---+---+---+---+---+---+---+---+---+---+---+
~
+---+---+---+---+---+---+---+---+---+---+---+---+---+---+---+---+---+---+---+---+---+---+---+---+---+
|       BGP Authentication Data ...       ~
+---+---+---+---+---+---+---+---+---+---+---+---+---+---+---+---+---+---+---+---+---+---+---+---+---+
```


Yes, there is one
for IPv6 😊

Requested WGLC
DataTracker
does not show it

And For Dessert

An Ops Hack
(not a draft)
At Layer 3
With L3DL