

# BGP Flowspec Extensions for Tunneled Traffic

draft-ietf-idr-flowspec-nvo3-10

Donald E. Eastlake, 3<sup>rd</sup> [d3e3e3@gmail.com](mailto:d3e3e3@gmail.com),

Weiguo Hao, Donald Eastlake, Shunwan Zhuang,

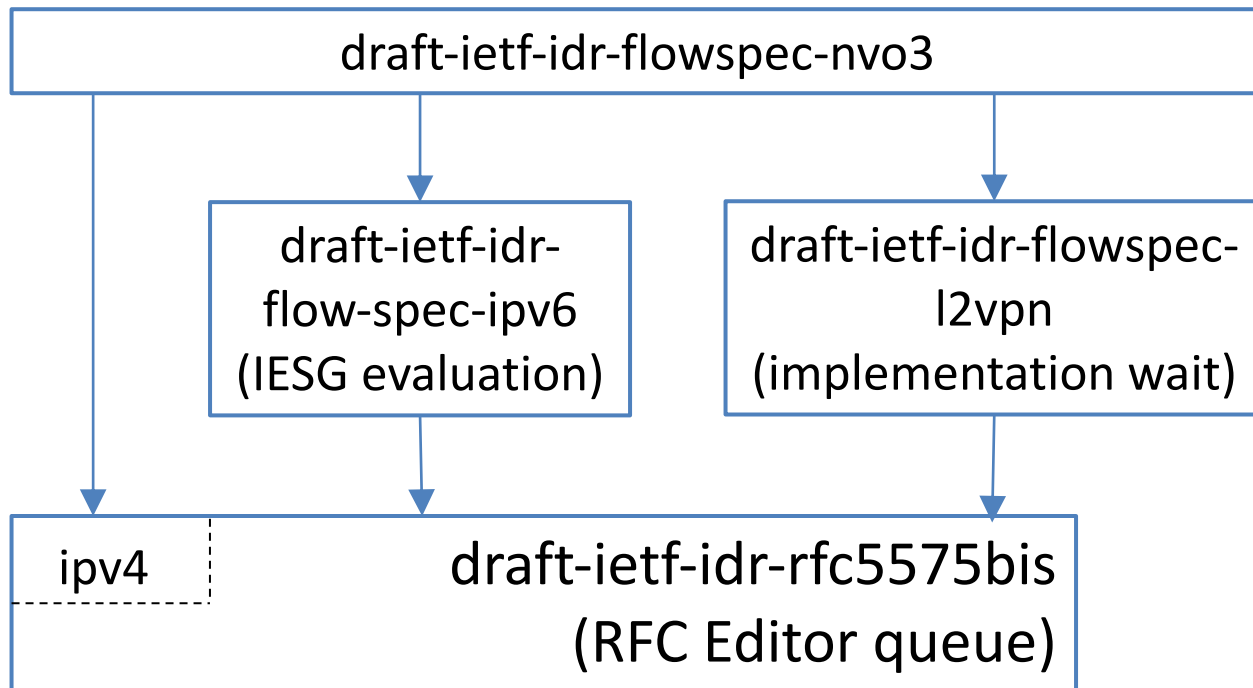
Zhenbin Li, Rong Gu

# draft-ietf-idr-flowspec-nvo3-10

- Despite the file name, covers many tunnel types: VXLAN, VXLAN-GPE, NVGRE, L2TPv3, GRE, and IP-in-IP.
- Provides for flow specification based on
  - tunneling header fields and
  - inner headers beyond the tunnel header.
- Indicated by an AFI/SAFI pair using
  - an AFI indicating the outer header to match one (IPv4...)
  - a new tunnel SAFI.

# L2 and Tunneled Flowspec Extensions

## Document Dependencies



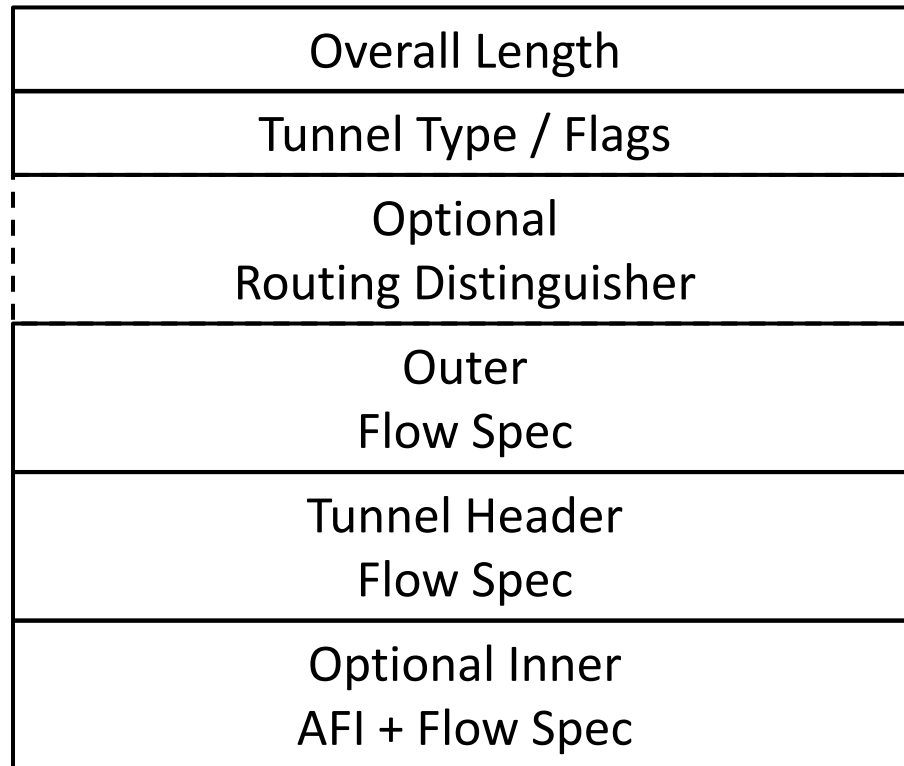
# draft-ietf-idr-flowspec-nvo3-10

- **Changes from -08 to -09**
  - Clarification of flowspec precedence rules when tunnel flowspecs are involved
  - Editorial improvements, typo fixes.
    - flow-spec -> flowspec
    - routing discriminator -> routing distinguisher

# draft-ietf-idr-flowspec-nvo3-10

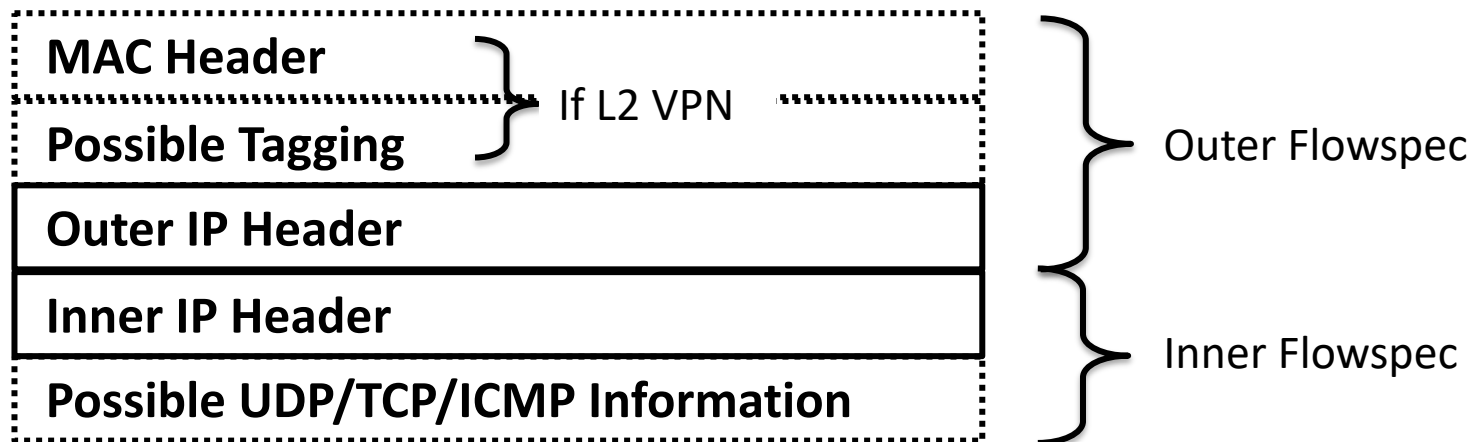
- **Changes from -09 to -10**
  - Addition of flow specification of L2TPv3 control messages as well as data messages
  - Add specification of L2TP control message header fields: version, connection ID, Ns, and Nr.
  - Editorial improvements and typo fixes.

# flowspec-nv03-10 NLRI



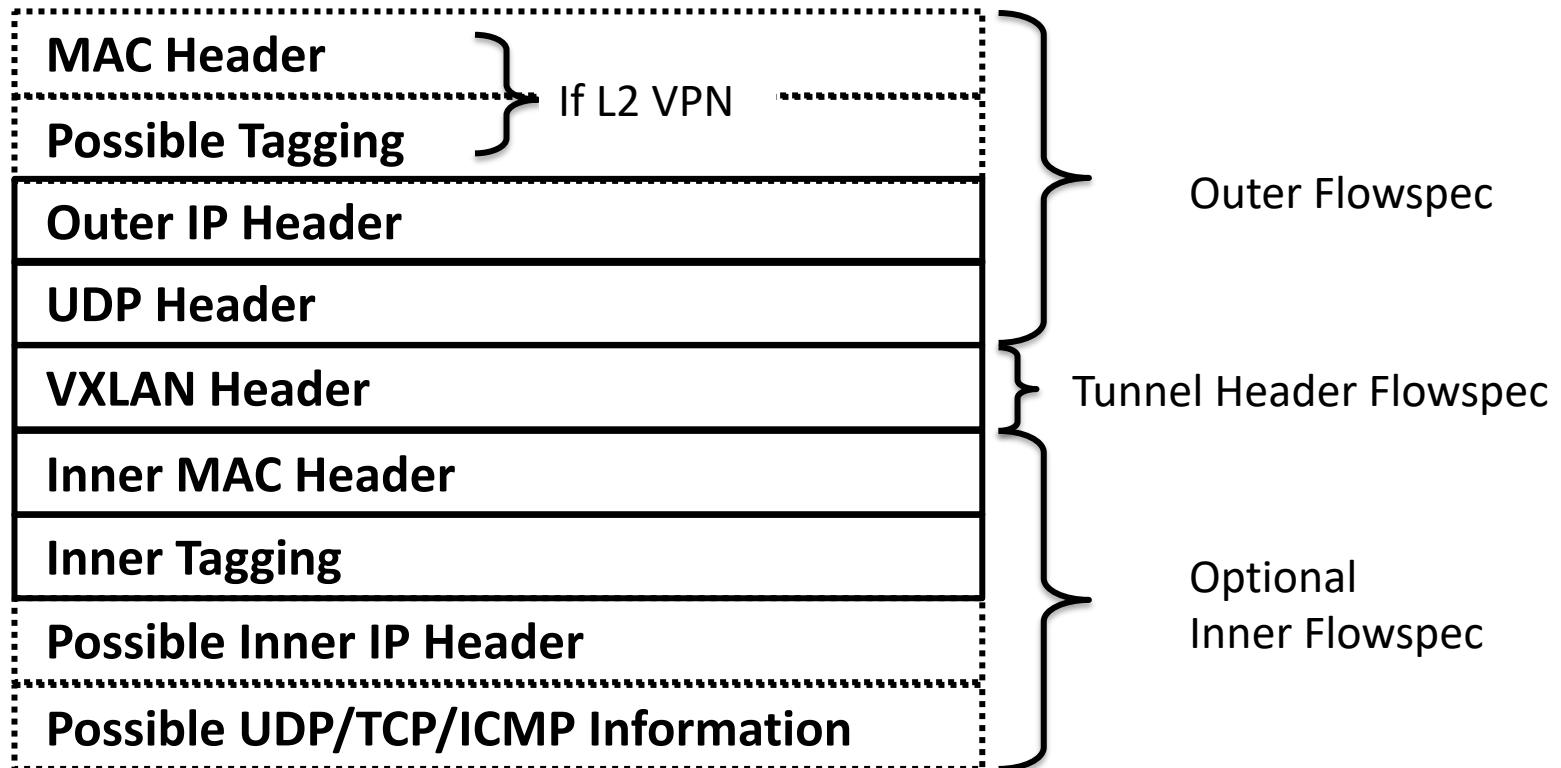
# flowspec-nvo3-10 Example

- **IP in IP:**



# flowspec-nvo3-10 Example

- VXLAN:**





# Next Steps

- **We believe**  
**draf-ietf-idr-flowspec-nvo3-10**  
is ready for working group last call.

# END

draft-ietf-idr-flowspec-nvo3-10

Donald E. Eastlake, 3<sup>rd</sup> [d3e3e3@gmail.com](mailto:d3e3e3@gmail.com),

Weiguo Hao, Donald Eastlake, Shunwan Zhuang,

Zhenbin Li, Rong Gu