



# PCECC Drafts

draft-zhao-pce-pcep-extension-pce-controller-sr-08  
draft-dhody-pce-pcep-extension-pce-controller-srv6-05  
draft-dhody-pce-pcep-extension-pce-controller-p2mp-05

Mahendra Singh Negi, Zhenbin Li, Shuping Peng, Quintin Zhao, Chao Zhou, and Xuesong Geng

IETF 109

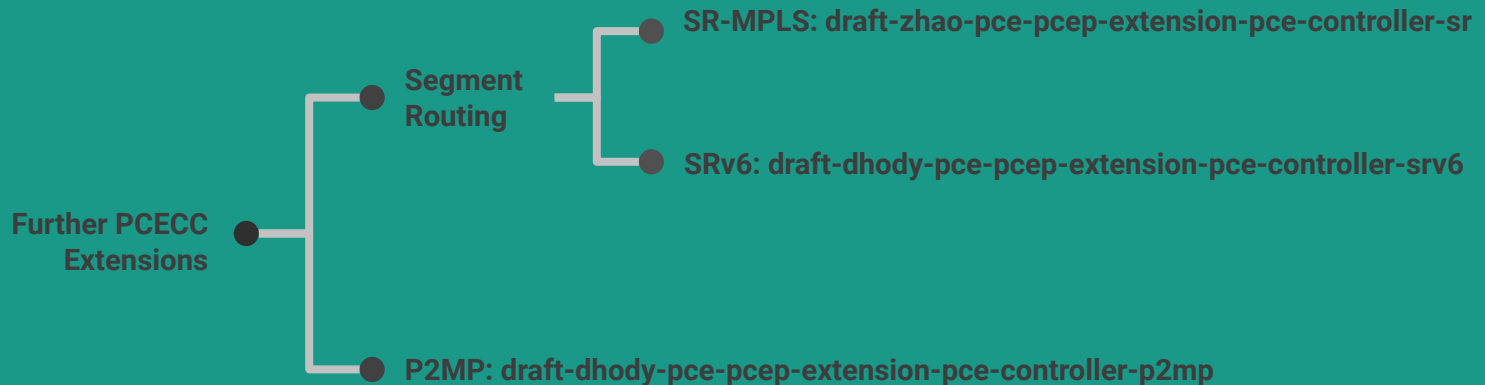
---

# Quick Recap

- RFC 8283 defines the PCE as a Central Controller architecture. It examines the motivation and applicability of PCEP as a SDN SBI.
- [I-D.ietf-pce-pcep-extension-for-pce-controller] specify the basic PCEP extension for static LSP
  - Post WG-LC, reworked after shepherd's review
  - Recent Changes
    - Re-ordering of sections with PCE-Initiated described first, as the common case in the case of PCECC
    - An explicit flag in the PCECC capability sub-TLV
    - Excellent comments from Julien to clean up the I-D

---

# Further PCECC Extensions



Last discussed during IETF 106, added in the WG adoption queue!



# PCECC for SR-MPLS

- draft-zhao-pce-pcep-extension-pce-controller-sr
- Use of PCEP to allocate SR-MPLS Label/SID on all nodes in the SR domain
  - A new CCI Object-Type for SR-MPLS
  - A new FEC Object
- Recent Changes
  - Alignment and sync with the changes in the other draft
  - Reuse PST=1 for SR
  - New flags for Adj-SID added
  - Editorial Cleanup
- It's been on the WG adoption queue for a while now :)
  - Being overtaken by other draft, request to issue adoption call.



# PCECC for SRv6

- draft-dhody-pce-pcep-extension-pce-controller-srv6
- Use of PCEP to allocate SRv6 SID on all nodes in the SR domain
  - A new CCI Object-Type for SRv6
- Recent Changes
  - Alignment and sync with the changes in the other draft
  - Reuse PST=TBD for SRv6 (I-D.ietf-pce-segment-routing-ipv6)
  - New flags for Adj-SID added
  - Editorial Cleanup
- No other open issue



# PCECC for P2MP

- draft-dhody-pce-pcep-extension-pce-controller-p2mp
- Use of PCEP to allocate label instruction on the branch node for static P2MP LSP
  - Allow multiple CCI object for the replication at branch node
- Recent Changes
  - Alignment and sync with the changes in the other draft
    - Re-ordering of sections with PCE-Initiated described first, as the common case in the case of PCECC
  - Editorial Cleanup
- No other open issue

# Questions?

Request for issuing the adoption call.....



# Thank You!

