

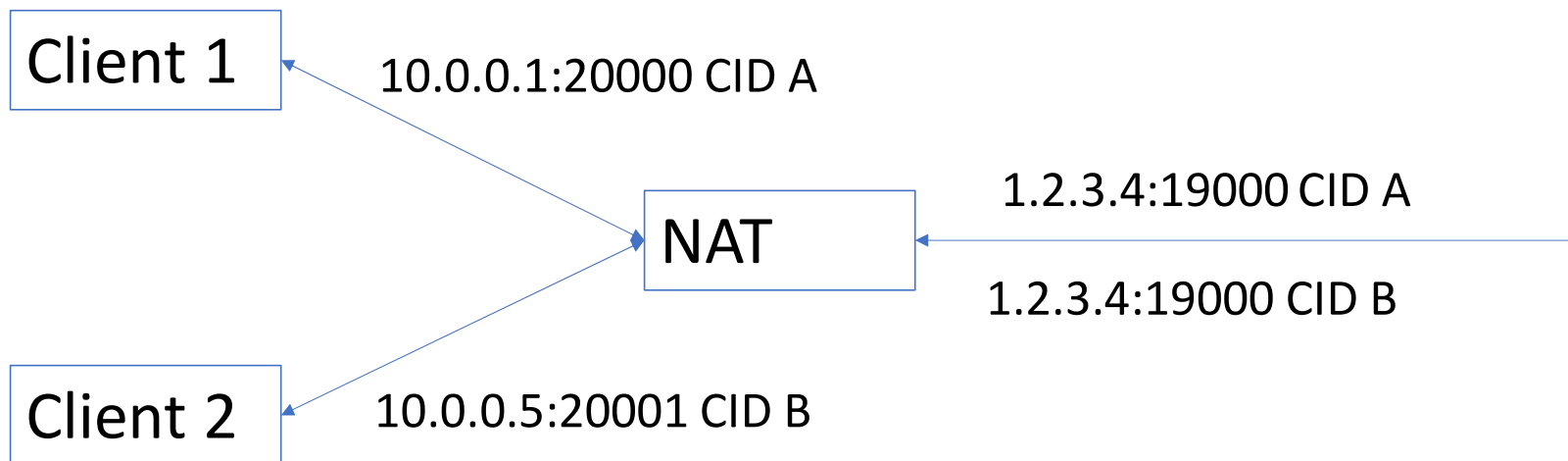
NAT Support for QUIC

draft-duke-quic-natsupp-03

TL;DR

- NATs should treat QUIC like any other UDP packet; if they try to use the Connection ID they'll break something

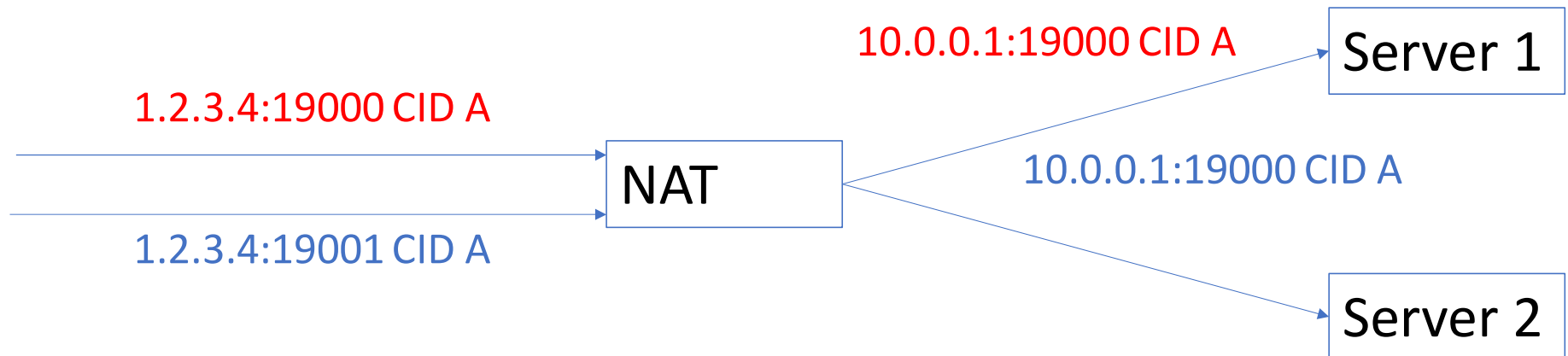
Client NAT



Works great until the CIDs change – then it black holes

Server NAT

Routing infrastructure here is 5-tuple based



Bypasses validation procedures

Doesn't work when CID changes
(migration)

PROXY Protocol?

- [https://developers.cloudflare.com/spectrum/getting-started/proxy-protocol/#:~:text=When%20using%20UDP%20\(currently%20an,Proxy%20Protocol%20to%20'on](https://developers.cloudflare.com/spectrum/getting-started/proxy-protocol/#:~:text=When%20using%20UDP%20(currently%20an,Proxy%20Protocol%20to%20'on)

Document Status

- Currently an individual draft in QUICWG
- Any outcome is fine
 - Incorporate text into QUIC operations draft
 - Reference an expired individual draft in QUIC ops draft
 - Standalone Informational RFC, here or in tsvwg
 - Drop it altogether