

draft-thubert-intarea-schc-over-ppp

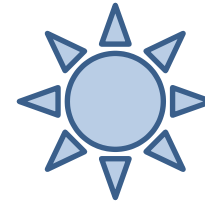
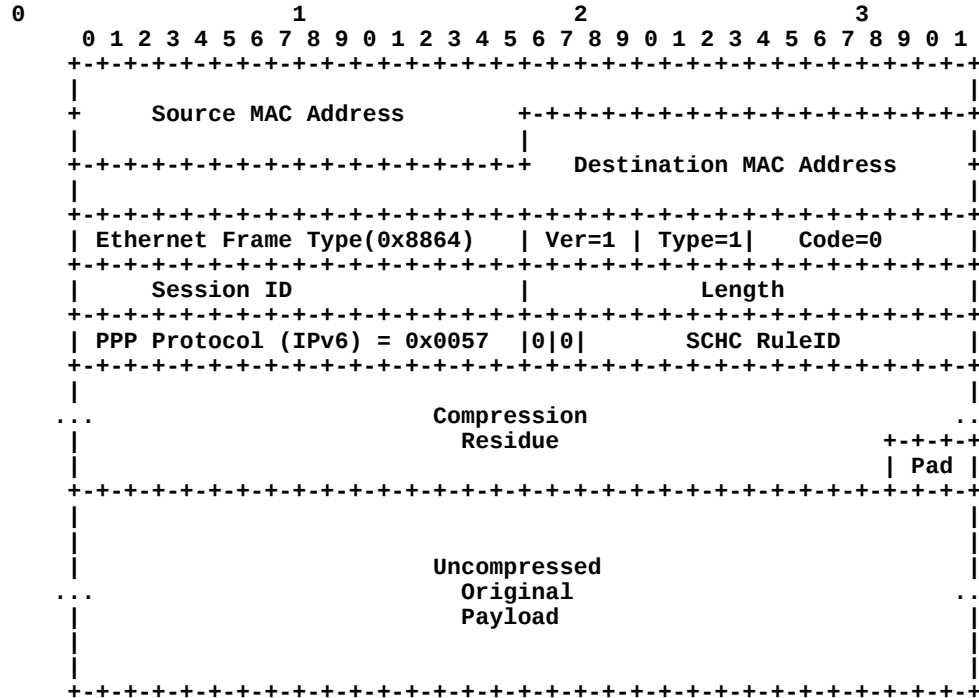
Authors:

Pascal Thubert <pthubert@cisco.com>

draft-thubert-intarea-schc-over-ppp

- SCHC over PPP (and then PPP over foo)
- Enables SCHC over
 - Serial, 3GPP
 - Ethernet with PPPoE, Wi-Fi with Ethernet
- Signals
 - A new compression for PPP (Updates RFC 5172)
 - The URL of the data model for the compression
 - Dependency on draft-ietf-lpwan-schc-yang-data-model

Resulting Packet (no Frag example)



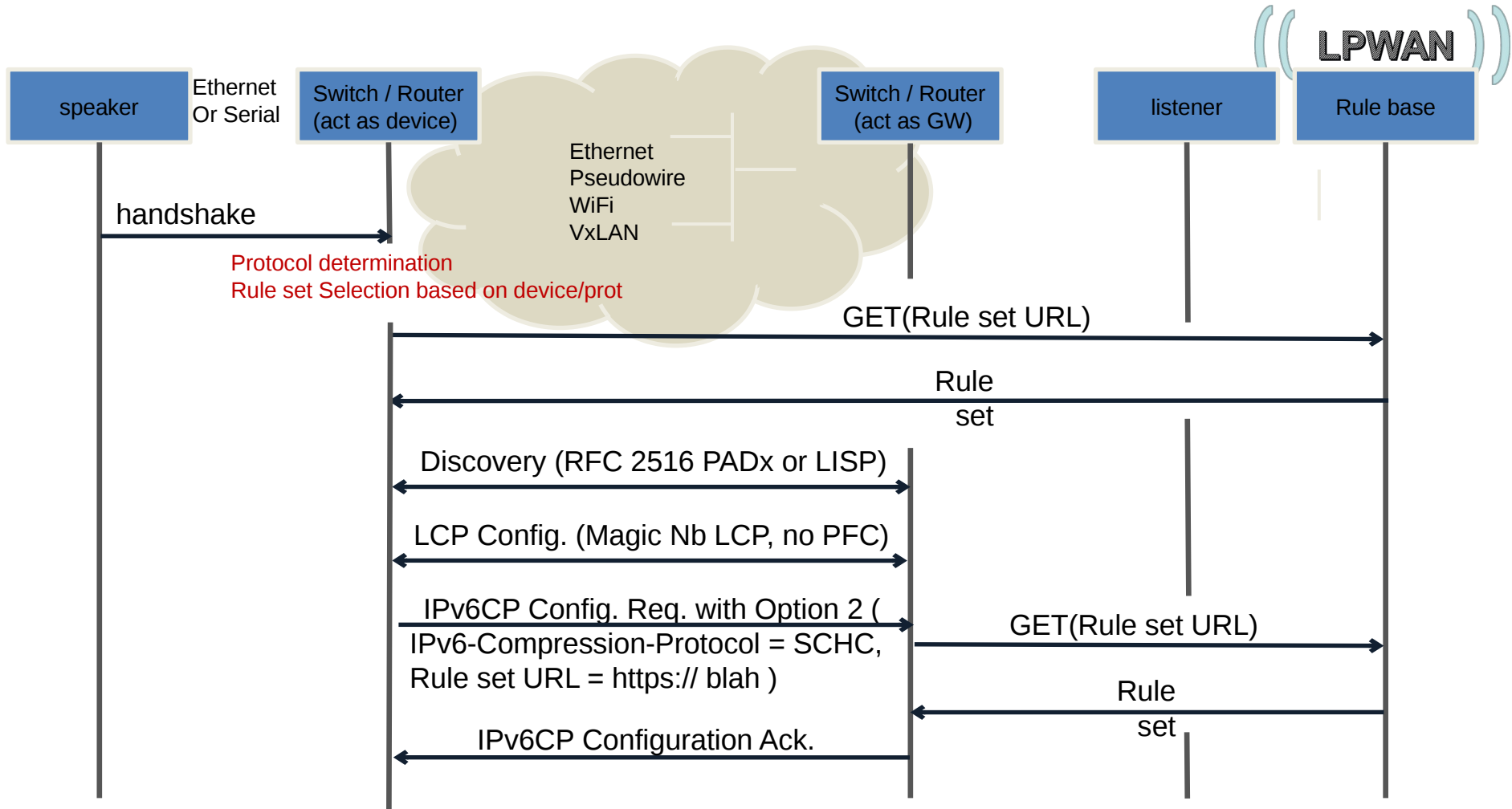
Draft status: Stable

- Need refresh – expires March 26th
- The RuleID for a compression rule is expressed as 2 bytes.
- The first (leftmost) 2 bits of that RuleId MUST be set to 0
- Frag: Only No-Ack mode => no out-of-order packet
 - If used with DetNet => may require PREOF reordering
- The RuleID for a fragmentation rule is expressed as 4 bits
 - Reserved 1111 for NO ACK
- Review from LPWAN cc INT AREA ?

Impact on SCHC Architecture



- PPP creates a peerwise relationship as opposed to device/gateway
- None of the end points own the compression rules
- Both fetch them from the same place through URL



Discussion

- Co Authors?
- Add applicability statement?
- Possible extensions?