

Neighbor Discovery Unicast Lookup

draft-thubert-6lo-unicast-lookup

Pascal Thubert

IETF 112

Virtual

6LoWPAN ND (IPv6 Stateful Address Autoconfiguration)

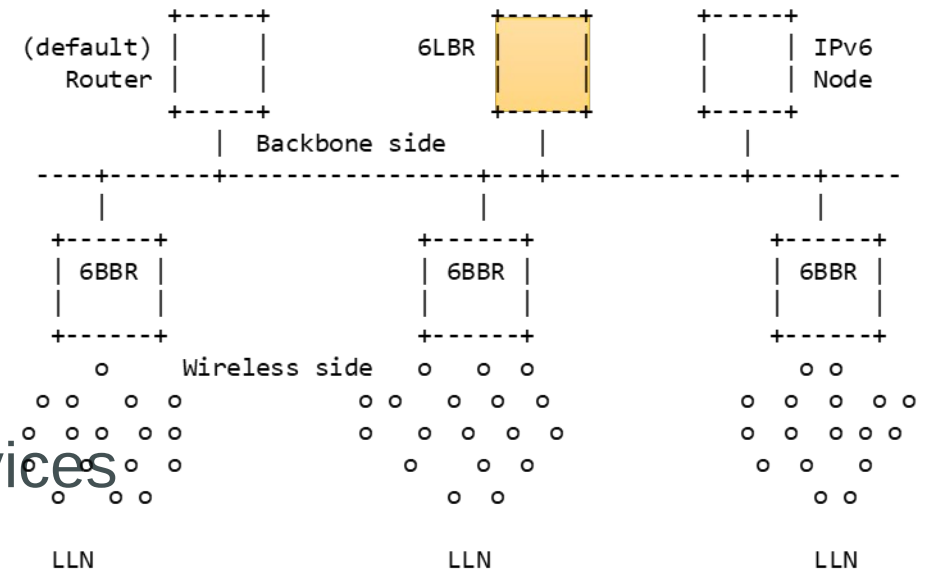
- [RFC 6775](#) (original 6LoWPAN ND)
 - Defines ARO for registration and DAD operations for stateful AAC
- [RFC 8505](#) (extended 6LoWPAN ND)
 - Extends ARO, updates the registration procedure
 - Allows registering to network services inc. proxy
- [RFC 8928](#) (Address Protection for ND)
 - Secures ownership and enables SAVI
- [RFC 8929](#) (Backbone Router – proxy ND)
 - Defines a proxy ND operation. Updates EDAR to transport ND options such as SLLAO.
- [draft-thubert-6lo-unicast-lookup](#) (Unicast Address lookup on backbone)
 - Allows the 6LBR to respond to lookups and saves broadcasts
- [draft-ietf-6lo-multicast-registration](#) (Anycast and Multicast Address Registration)
 - Registers anycast and multicast addresses (in addition to unicast per RFC 8505)

Changes in [draft-thubert-6lo-unicast-lookup](#)

- Draft published at 6lo in 2019
- Circulated at 6MAN
- Failed to raise interest
- Note that this is not maintenance but new feature
- Republished as 01 at 6lo
- Suggestion to work it out here since we did all the work so far.

Draft operation

- EDAR is extended by RFC 8929 to transport SLLA
- An abstract 6LBR is placed on backbone
 - Maintains registration for unicast and anycast IPv6@
 - Contains ROVR and LLA(s) associated with IPv6@
 - learns SLLA from NS(EARO) and EDAR
 - Answers DAD requests (EDAR/EDAC)
 - New: Provides unicast Address Mapping services
- New Address Mapping messages
 - can have scope > link for off-link query
 - Unicast link-scope NS/NA can also be used



Next steps

- Explain 6LBR is abstract
 - can be a distributed database
 - E.g., draft-thubert-bess-secure-evpn-mac-signaling
- Reference [draft-ietf-6lo-multicast-registration](#)
 - For anycast address registration