

# A YANG Data Model for Optical Network Inventory

OPSAWG, IETF112

[draft-yg3bp-ccamp-optical-inventory-yang-00](#)

## Authors:

Chaode Yu ([yuchaode@huawei.com](mailto:yuchaode@huawei.com))

[Italo Busi \(Italo.Busi@huawei.com\)](mailto:Italo.Busi@huawei.com)

Aihua Guo ([aihuaguo.ietf@gmail.com](mailto:aihuaguo.ietf@gmail.com))

Sergio Belotti([sergio.belotti@nokia.com](mailto:sergio.belotti@nokia.com))

Jean-Francois Bouquier([jeff.bouquier@vodafone.com](mailto:jeff.bouquier@vodafone.com))

Fabio Peruzzini([fabio.peruzzini@telecomitalia.it](mailto:fabio.peruzzini@telecomitalia.it))

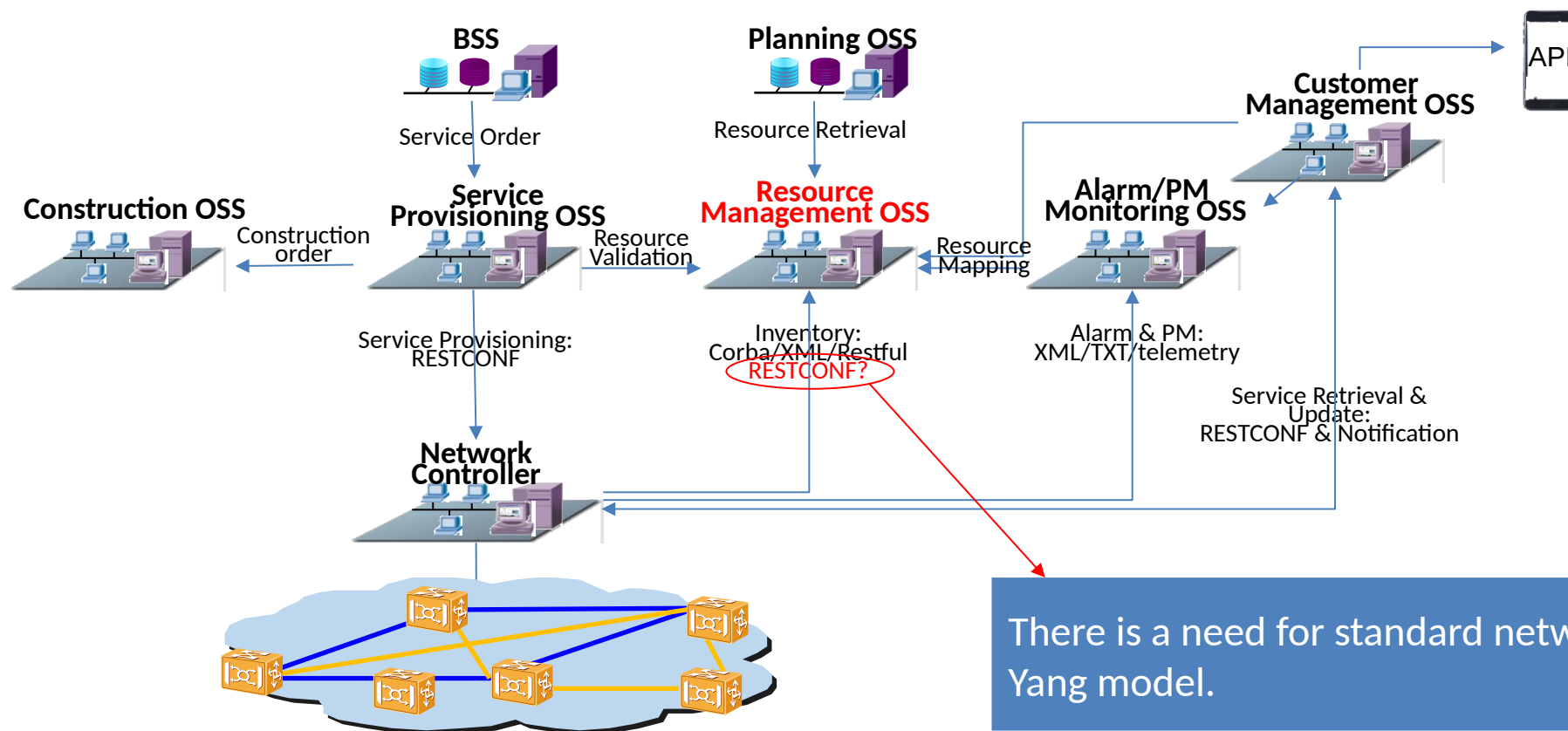
Oscar Gonzalez de Dios([oscar.gonzalezdedios@telefonica.com](mailto:oscar.gonzalezdedios@telefonica.com))

Victor Lopez([victor.lopez@nokia.com](mailto:victor.lopez@nokia.com))

# Why the model is needed?

- Motivation:

- Inventory management is a key function in operators' resource management OSS system
- Lacking standard Yang data model definition
- Data model in RFC8348 is limited to a single server level, it covers full management of hardware
- We intend to provide a generic and technology-agnostic data model, covering IP, optical and microwave



# Discussion

- Which WG this work belongs to?
  - CCAMP
  - NETMOD
  - OPSAWG
  - Other?

Technical discussion for IETF 112 planned in CCAMP WG  
– Thursday, November 11, 2021 at 16:00-18:00 UTC