



# Neighbor Discovery Unicast Lookup

draft-thubert-6lo-unicast-lookup

Pascal Thubert

IETF 113

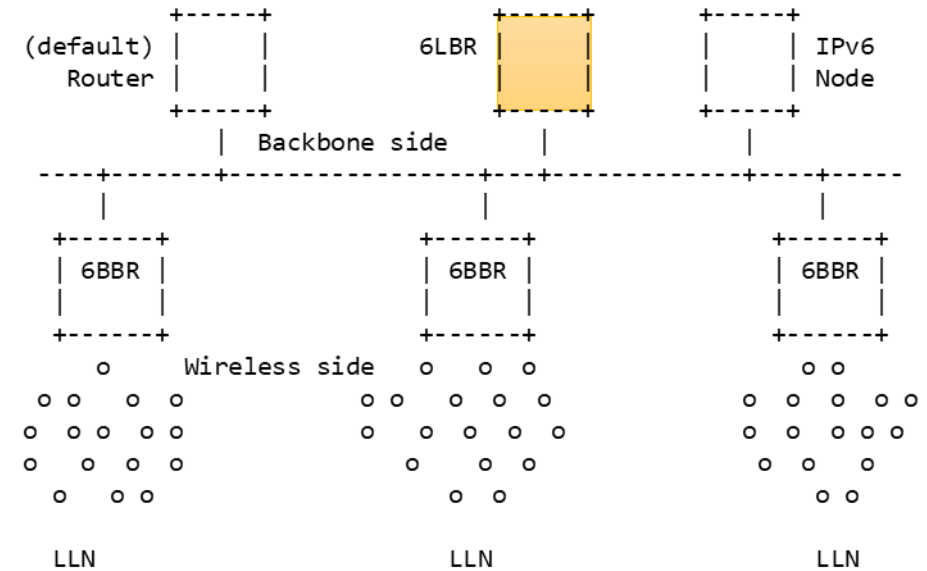
Remote

# 6LoWPAN ND (IPv6 Stateful Address Autoconfiguration)

- [RFC 6775](#) (original 6LoWPAN ND)
  - Defines ARO for registration and DAD operations for stateful AAC
- [RFC 8505](#) (extended 6LoWPAN ND)
  - Extends ARO, updates the registration procedure
  - Allows registering to network services inc. proxy
- [RFC 8928](#) (Address Protection for ND)
  - Secures ownership and enables SAVI
- [RFC 8929](#) (Backbone Router – proxy ND)
  - Defines a proxy ND operation. Updates EDAR to transport ND options such as SLLAO.
- [draft-thubert-6lo-unicast-lookup](#) (Unicast Address lookup on backbone)
  - Allows the 6LBR to respond to lookups and saves broadcasts
- [draft-ietf-6lo-multicast-registration](#) (Anycast and Multicast Address Registration)
  - Registers anycast and multicast addresses (in addition to unicast per RFC 8505)

# Draft operation

- EDAR is extended by RFC 8929 to transport SLLA
- An abstract 6LBR is placed on backbone
  - Maintains registration for unicast and anycast IPv6@
  - Contains ROVR and LLA(s) associated with IPv6@
  - learns SLLA from NS(EARO) and EDAR
  - Answers DAD requests (EDAR/EDAC)
  - New: Provides unicast Address Mapping services
- New Address Mapping messages
  - can have scope > link for off-link query
  - Unicast link-scope NS/NA can also be used
- New status “not found”



# Changes in [draft-thubert-6lo-unicast-lookup](#)

- Since IETF 112
  - Updated to reference [draft-ietf-6lo-multicast-registration](#) for anycast address registration
- Been Quite stable... Adopt?

# To Dos

- Explain 6LBR is abstract, can be a distributed database
  - E.g., [draft-thubert-bess-secure-evpn-mac-signaling](#) using BGP
  - Or RFC 8929 using IPv6 ND