

Gateway-based Trust Relationship Between Endpoints and Intermediate Nodes

draft-du-panrg-gateway-based-trust-relationship-01

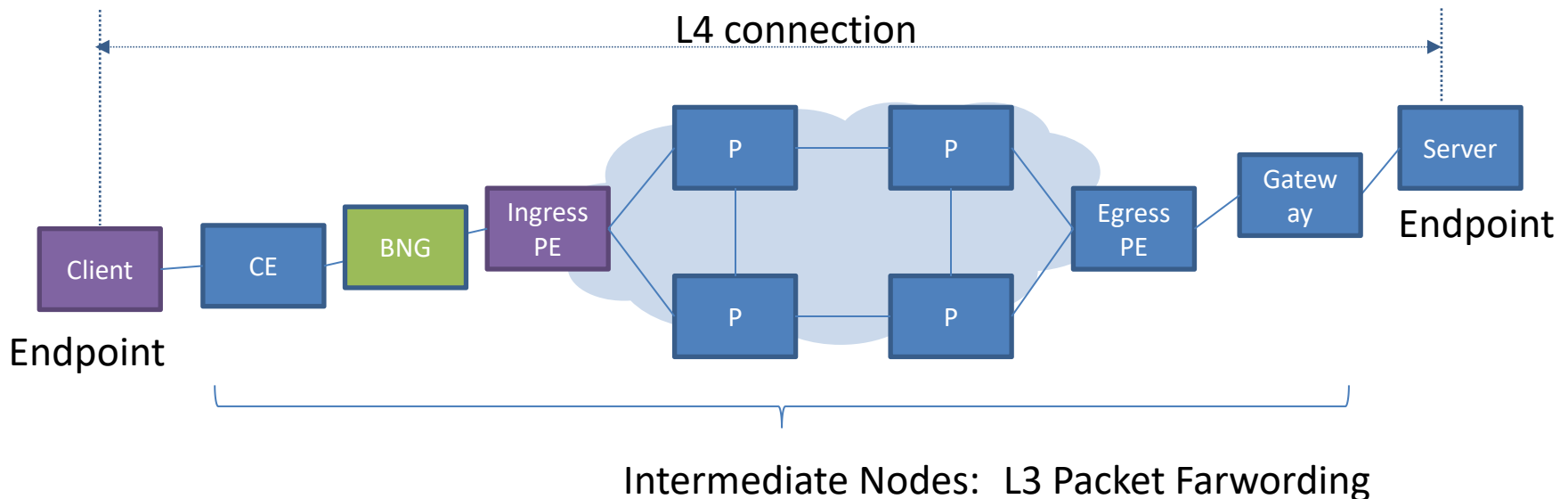
Zongpeng Du duzongpeng@chinamobile.com

Peng Liu liupengyjy@chinamobile.com

IETF113

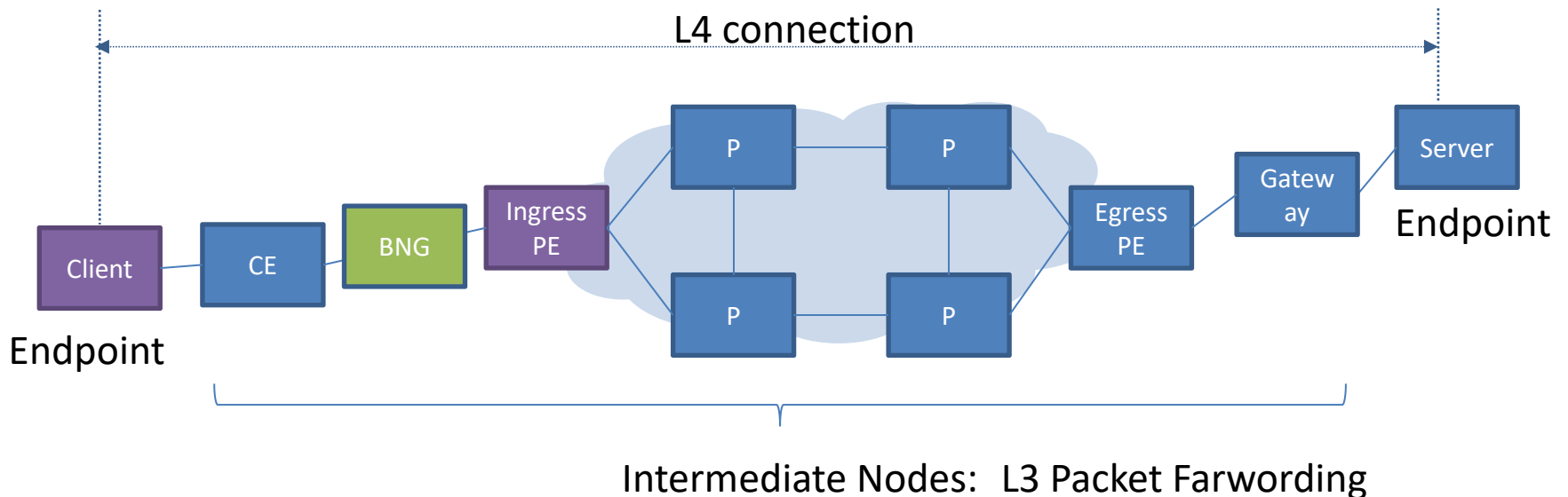
Target

- BNG as the gateway of the Endpoint is able to maintain a per-connection state and a trust-relationship for each user.
- Based on this Gateway (BNG), to make
 - the Endpoint trusts the information from the Ingress PE
 - the Ingress PE trusts the suggestion from a valid user



Mechanism

- From the Ingress PE to the Client
 - Ingress PE makes a signature for the message by using a private key
- From the client to the Ingress PE
 - BNG makes a signature instead of the Client by using a private key
 - or put it into an IPSec between the BNG and the Ingress PE



Thanks for listening

Welcome for comments