



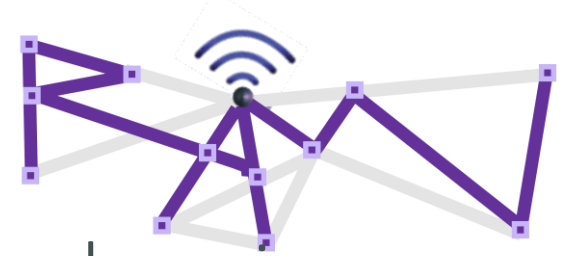
# RAW multidomain extensions

## draft-bernardos-raw-multidomain-00

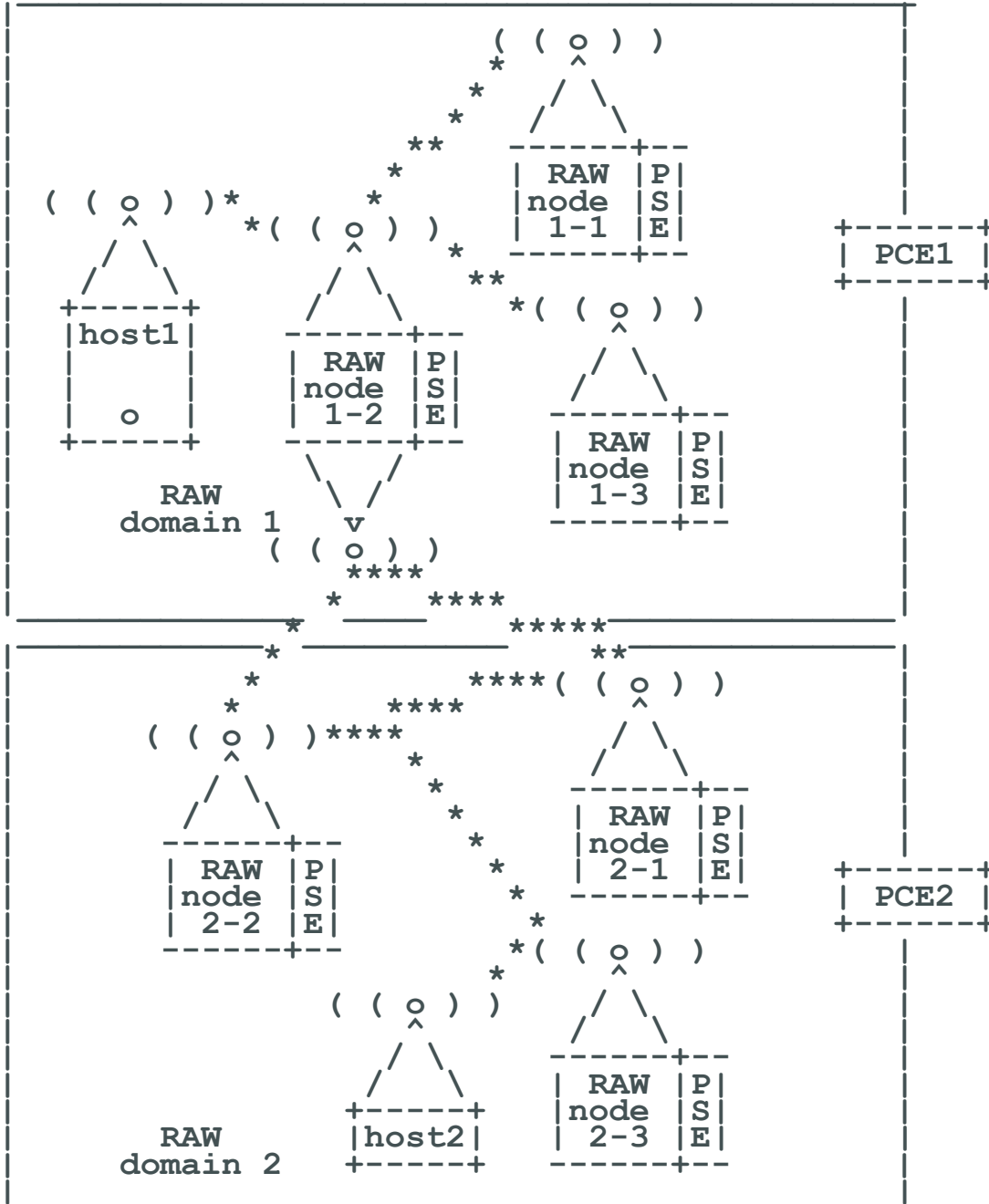
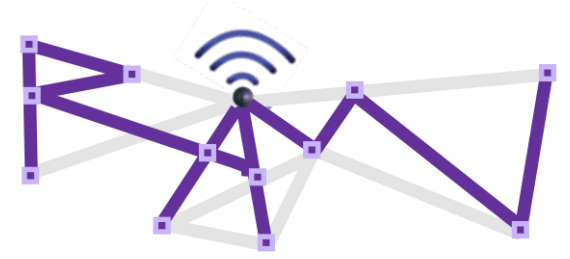
Presenter: Carlos J. Bernardos

Authors: Carlos J. Bernardos, Alain Mourad

## Aim and scope

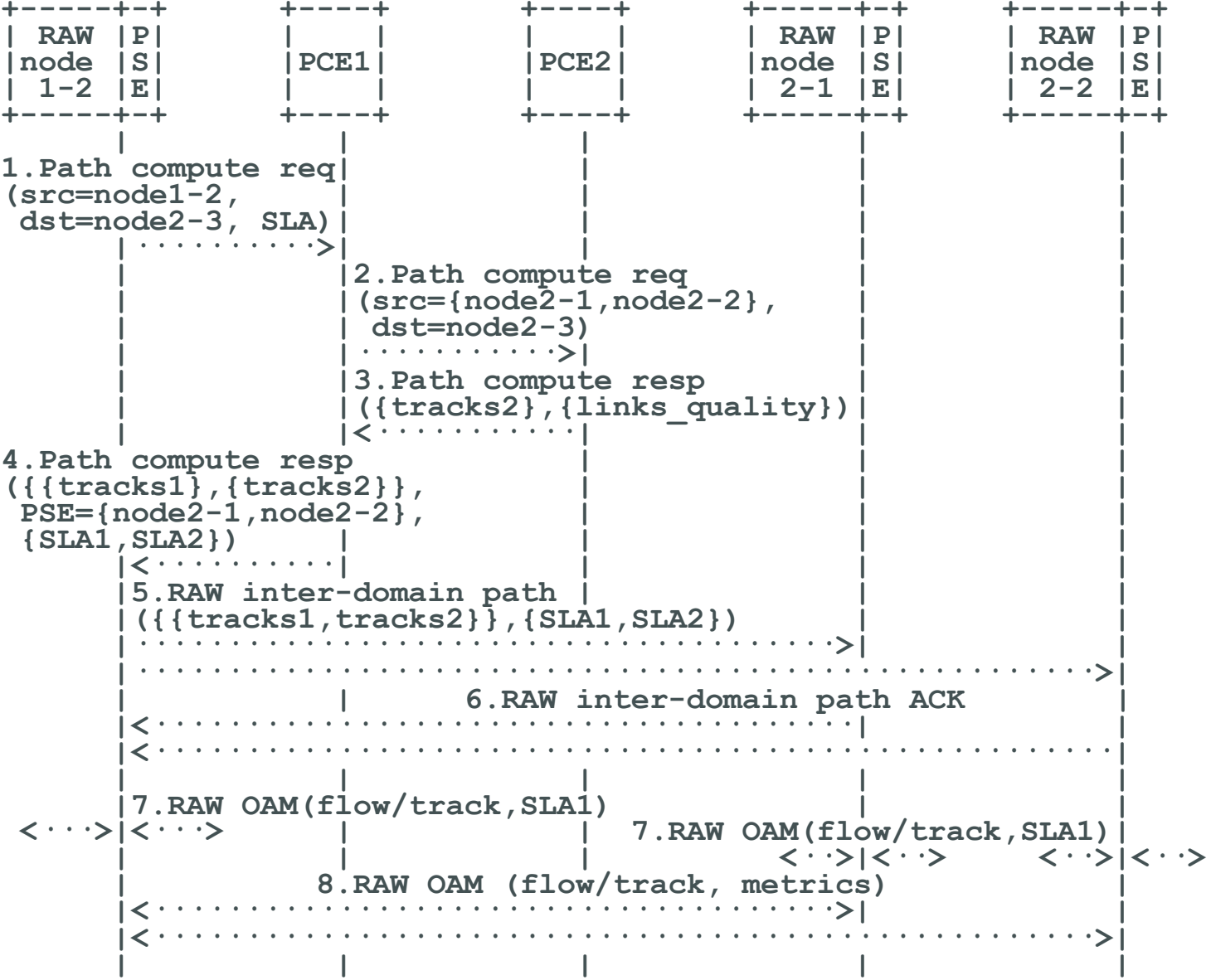
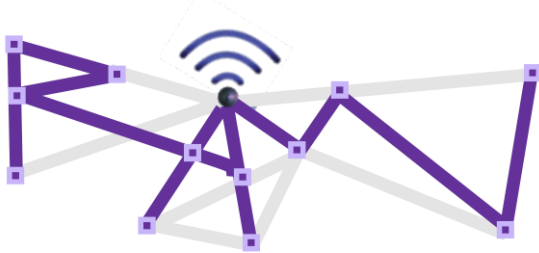


- Current scope of the WG is mostly focused on single-domain
- There are scenarios requiring multidomain RAW
  - where hosts are connected to different RAW domains and they need to communicate to each other with certain reliability and/or availability guarantees
  - E.g., in large factories where networks might be organized in domains (per production lines or building/sites)
- Goal is to explore current RAW multi-domain gaps (arch, OAM, etc) and propose solutions

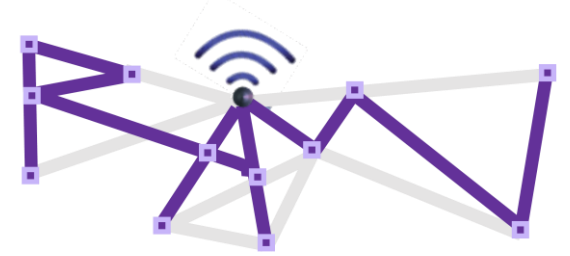


## Exemplary scenario

# Proposed extensions



## Summary and next steps



- Is there interest in this problem in the WG?
  - Many gaps to identify and address (e.g., OAM)
  - Potential new protocol work needed
  - Relation to DETNET
  
- Please share your comments on the ML