

# Operations and Control Networks

HotRFC-114

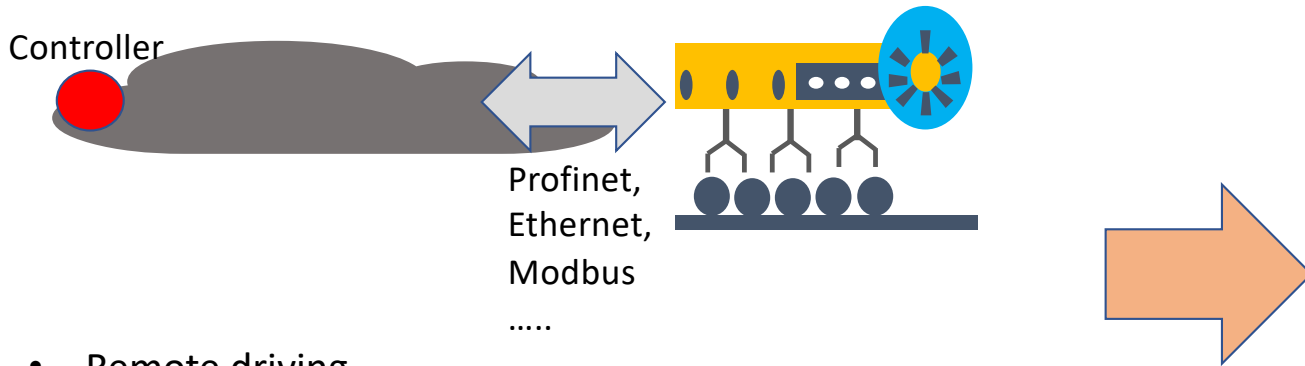
(Call for collaboration and side-meeting)

Presenter: Lijun Dong

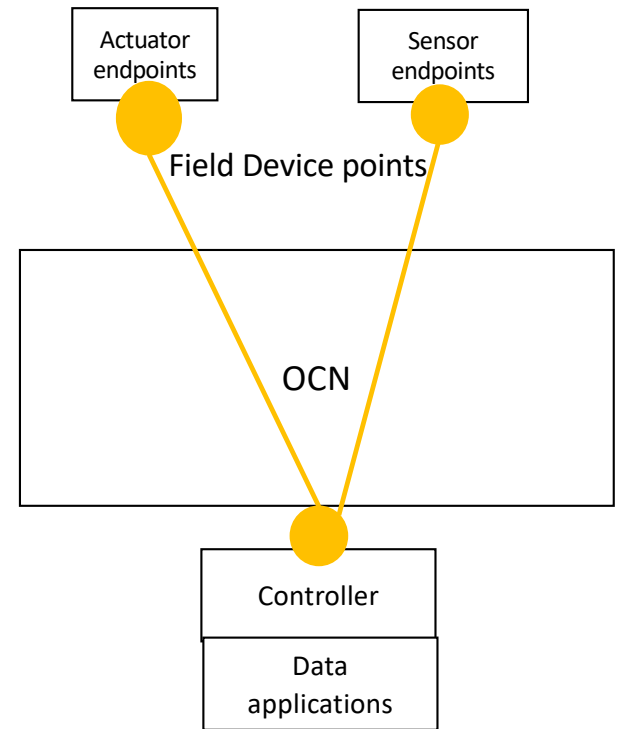
contact: [lijun.dong@futurewei.com](mailto:lijun.dong@futurewei.com)

# Use Cases

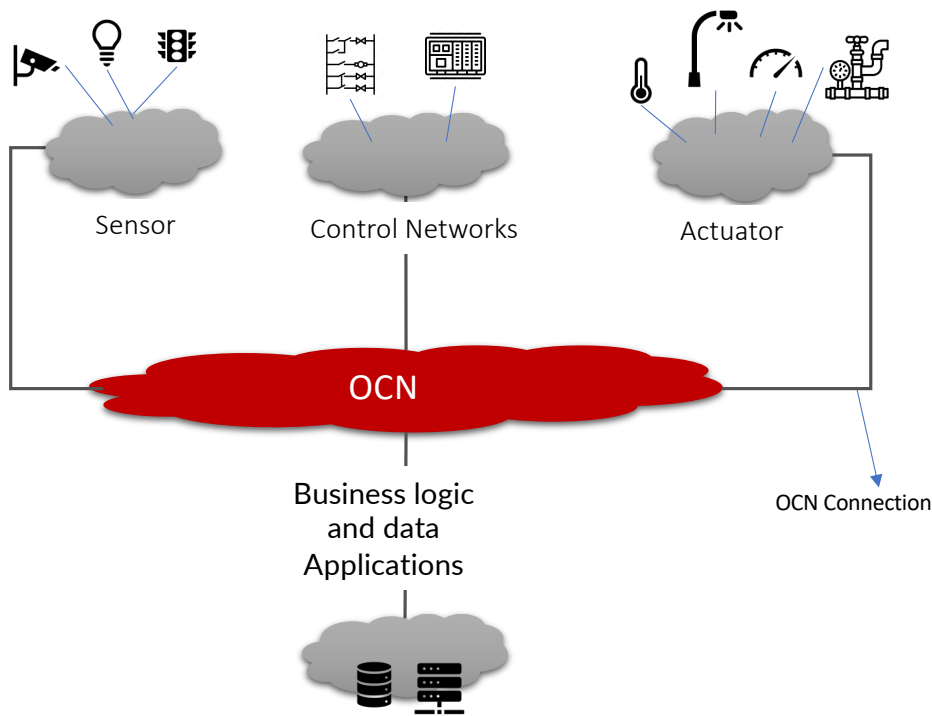
- Factory automation and control
  - <https://datatracker.ietf.org/doc/draft-wmdf-ocn-use-cases/>



- Remote driving
  - <https://datatracker.ietf.org/doc/draft-dong-remote-driving-usecase/>



# OCN



An Operation and Control Network (OCN) is inter-connection of field devices (actuators, sensors) and their controllers for the exchange of data to cause and monitor changes to the end-equipment.

- <https://datatracker.ietf.org/doc/draft-km-intarea-ocn/>

# Some Issues are being considered in OCN

- Explore opportunities and methods to use IP to build OCN
- High precision communications
- Convergence
- Reference model
- Addressing
- Message types
- Security

# Slide meeting on OCN

☐ Date: Monday 25 July

Time: 12:30 to 1:20 pm (50 minutes)

Room: **Horizon at rooftop (R Floor)**

Webex: <https://futurewei.my.webex.com/futurewei.my/j.php?MTID=m8482bdb06635d5ef021e6dcc11d1cd29>

## Reference Documents:

- [1] <https://datatracker.ietf.org/doc/draft-km-intarea-ocn/>
- [2] <https://datatracker.ietf.org/doc/draft-tf-ocn-ps/>
- [3] <https://datatracker.ietf.org/doc/draft-dong-remote-driving-usecase/>
- [4] <https://datatracker.ietf.org/doc/draft-wmdf-ocn-use-cases/>

contact: [lijun.dong@futurewei.com](mailto:lijun.dong@futurewei.com) , [kiran.ietf@gmail.com](mailto:kiran.ietf@gmail.com)