

# Supporting leaves without northbound neighbors connecting to a fat-tree network using RIFT

draft-zwx-rift-leaf-ring

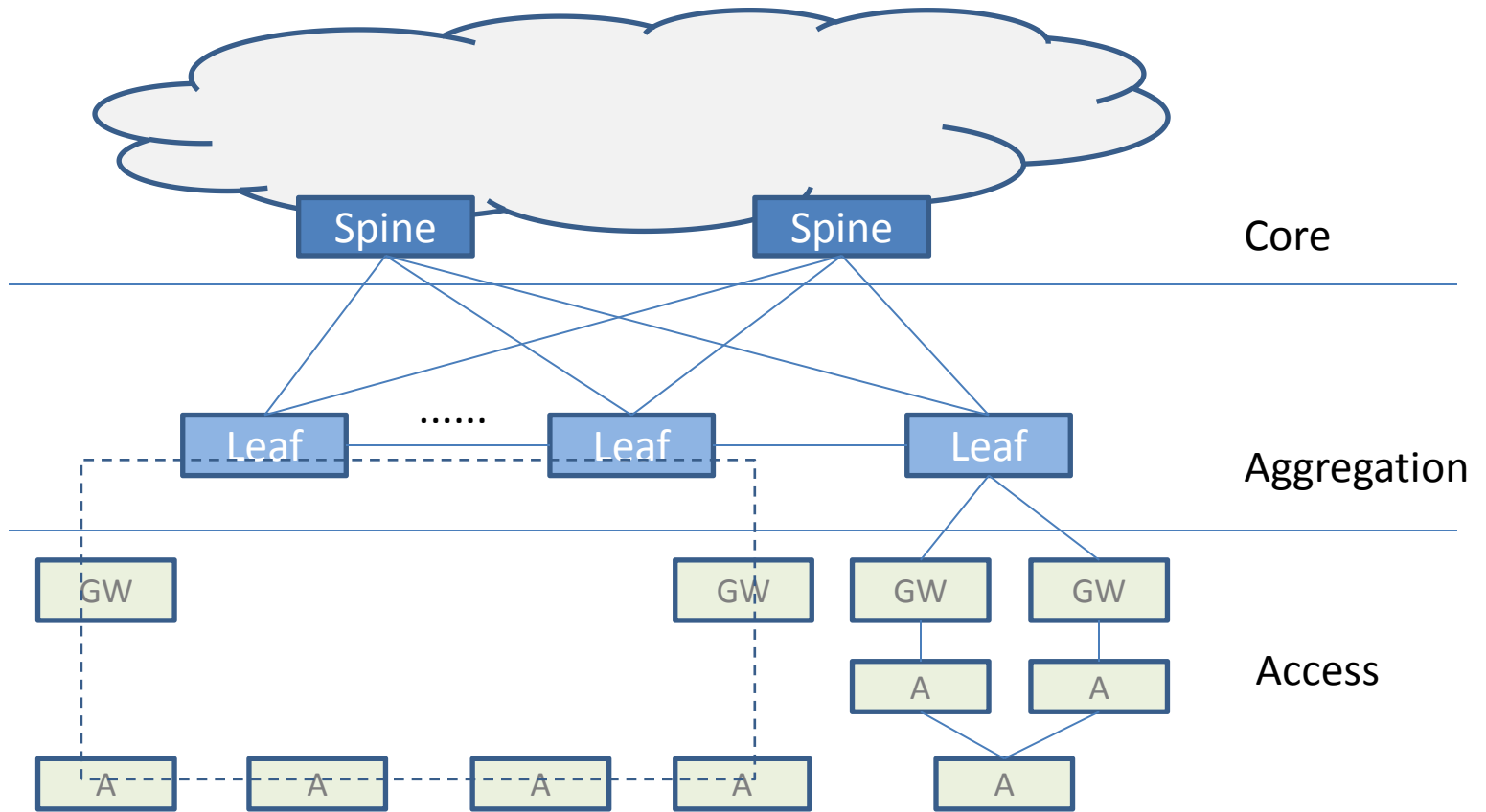
RIFT WG

IETF115

Sandy Zhang    ZTE Corporation

Yuehua Wei    ZTE Corporation

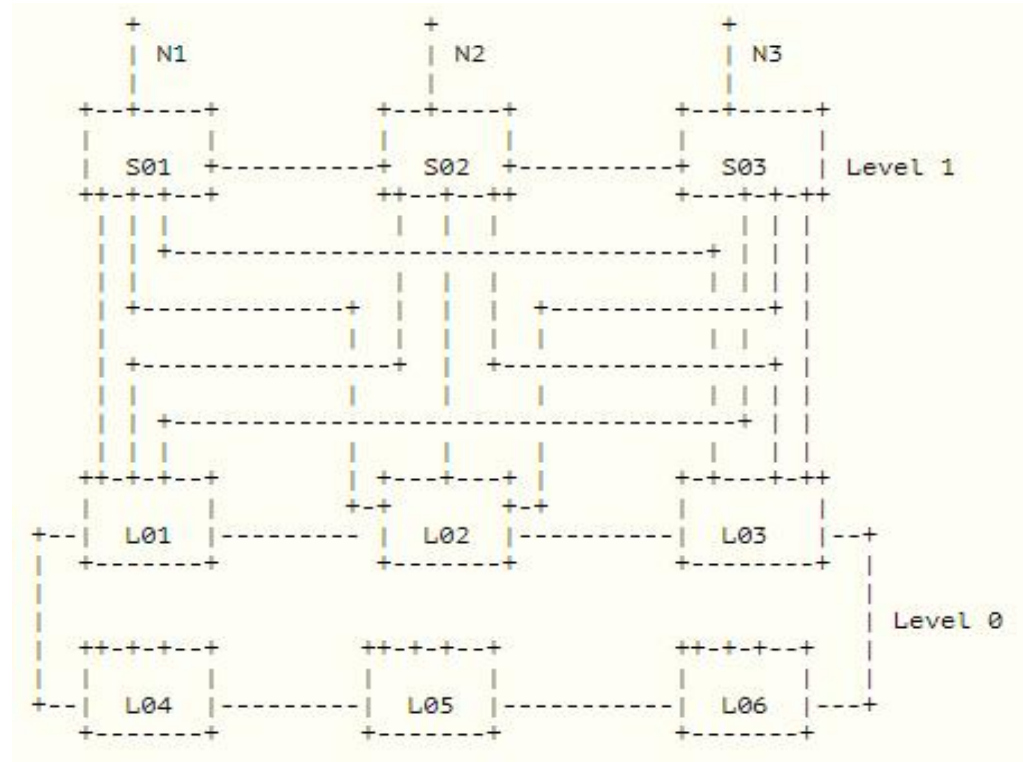
Benchong Xu    ZTE Corporation



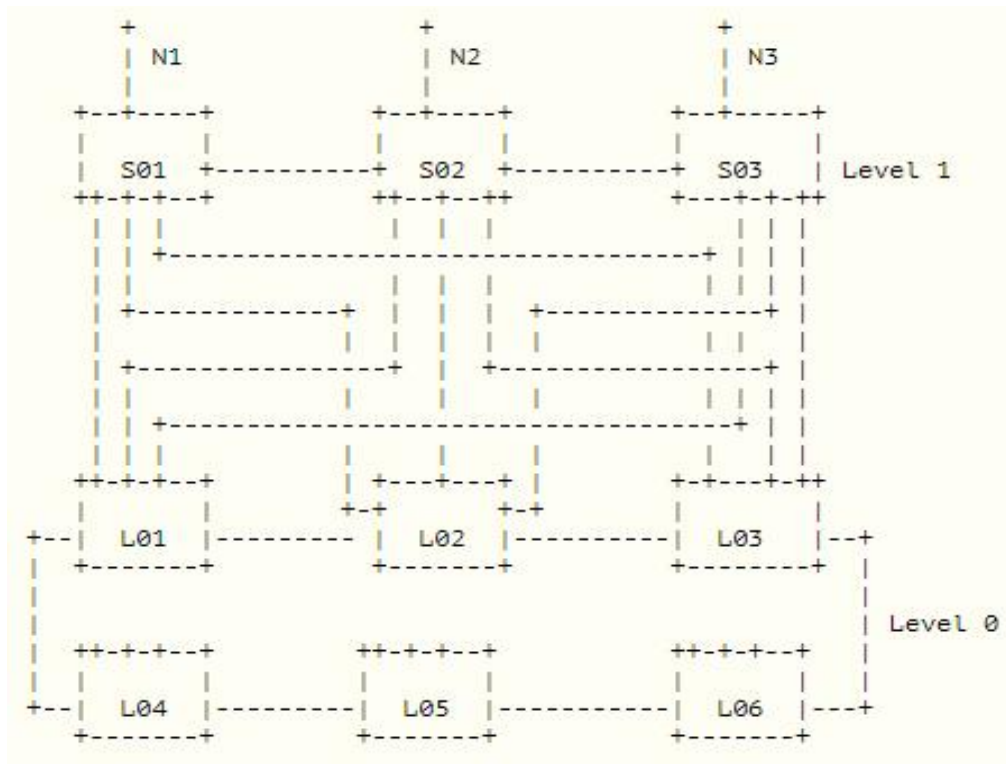
New Metro Network

# Problem

- Some leaves connect to the fat-tree network by ring topology
- Some leaves have no northbound connection with spine nodes
- These leaves cannot visit with the network



# Solution



## Capability advertisement

- A new link capability: leaf-transport
- Set in LIE and node TIE
- The LIE FSM will not be affected

## Prefix South TIE transferring

- The leaf node without northbound neighbors MUST transfer the Prefix South TIE received from an east-west neighbor to the other east-west neighbor to the other east-west neighbor which also has no northbound connection.

## Prefix North TIE transferring

- The leaf node without northbound neighbors MUST transfer the Prefix North TIE received from an east-west neighbor which has no northbound connection to the other east-west neighbor.

# Update of version 01

- The description of External Prefix North TIE transferring is added.
  - The leaf node without northbound neighbors which supports the leaf transfer capability, MUST transfer the External Prefix North TIE received from an east-west neighbor which has no northbound connection to the other east-west neighbor.

- Any comments :-)
- Thanks!