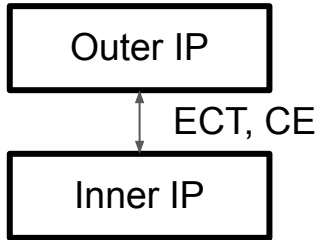


ECN Over Aggregating Tunnels

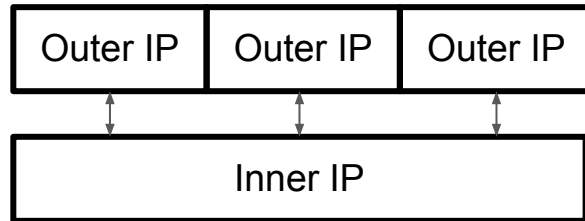
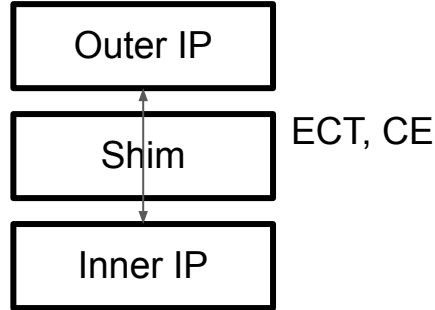
draft-duke-tsvwg-ecn-aggregating-tunnels-00

The Story So Far

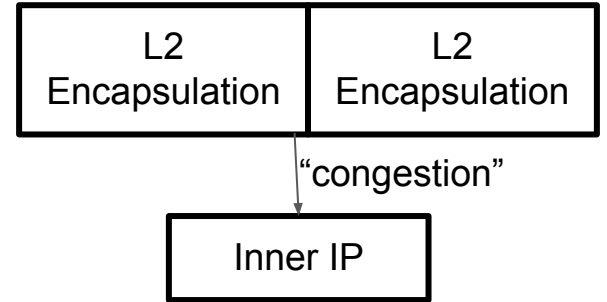
RFC 6040



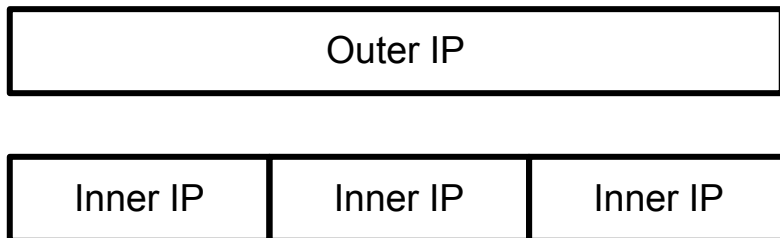
draft-ietf-tsvwg-rfc6040update-shim-15



draft-ietf-tsvwg-ecn-encap-guidelines-17



This draft



```

+++++
|           Present in Tunnel Packet ? | Outer   | Applicable |
+++++ Header + Rule +
| Not-ECT | ECT(0) | ECT(1) | CE   | Marking | Number(s) |
+++++
|   Y   |   N   |   N   | any  | Not-ECT |   1,4   |
+++++
|   N   |   Y   |   N   | any  | ECT(0) |   1,3   |
+++++
|   N   |   N   |   Y   |   N  | ECT(1) |   1     |
+++++
|   N   |   N   |   N   |   Y  |   CE   |   1     |
+++++
|  any  |   Y   |   Y   | any  | Not-ECT |   2     |
+++++
|   Y   |   Y   |   N   | any  | ECT(0)* |   3     |
+++++
|   Y   |   N   |   Y   | any  | Not-ECT |   4     |
+++++
|   N   |   N   |   Y   |   Y  | ECT(1)* |   5     |
+++++
|   N   |   N   |   N   |   N  |   N/A  |  N/A   |
+++++

```

Table 1. Ingress Markings

Adopt?

Merge?

Discard?