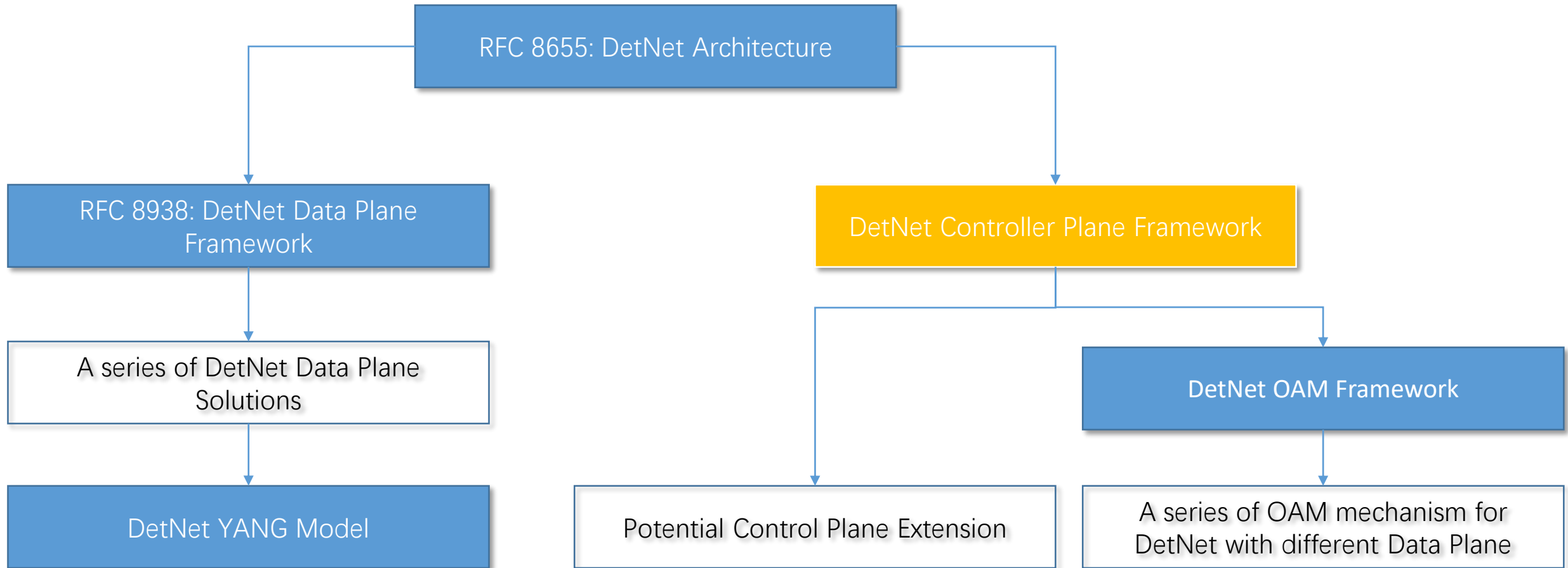


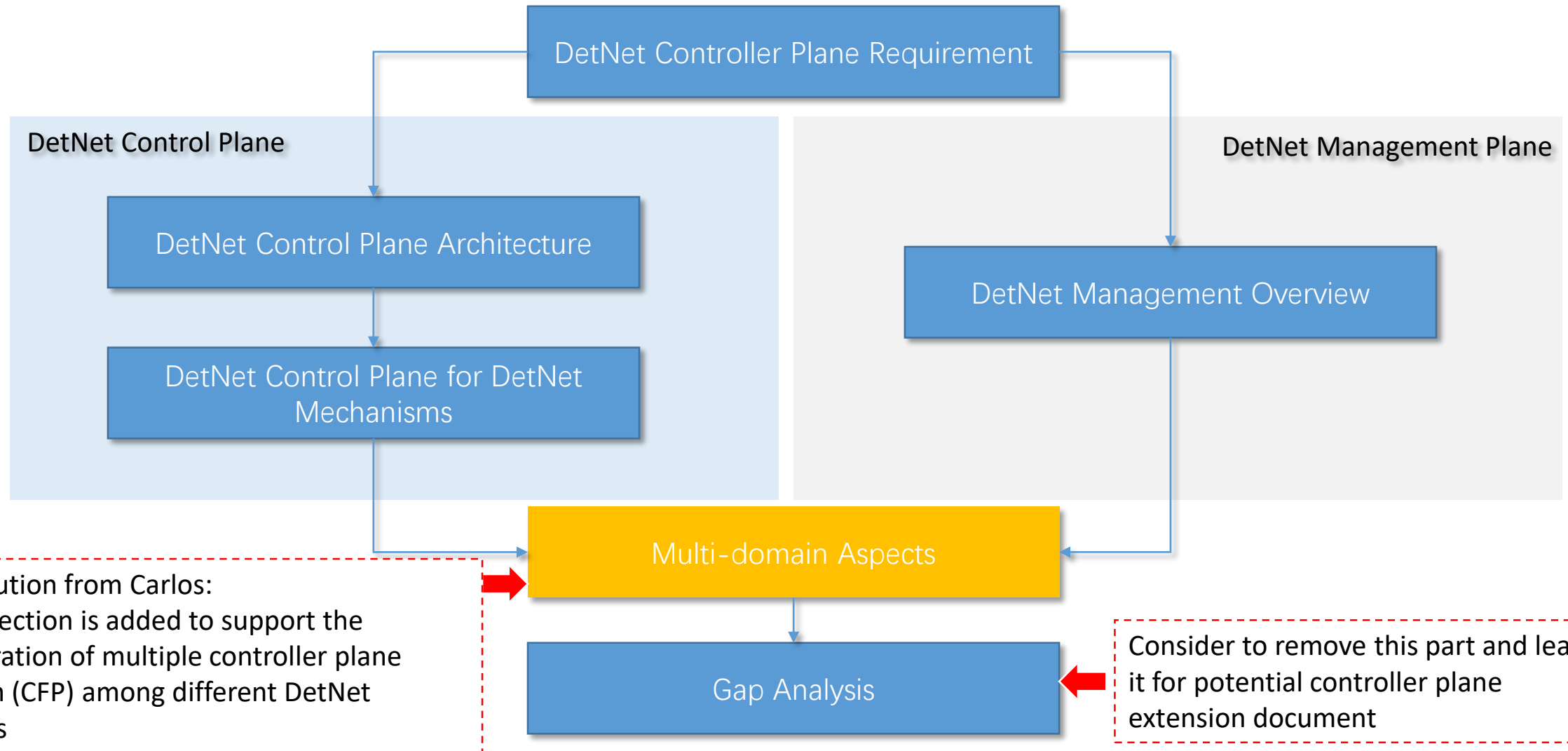
DetNet Controller Plane Framework

IETF 116 @ Yokohama

Relationship with other DetNet WG document



Document Structure Update



Proposed Update 1: DetNet Control Plane for Enhanced DetNet

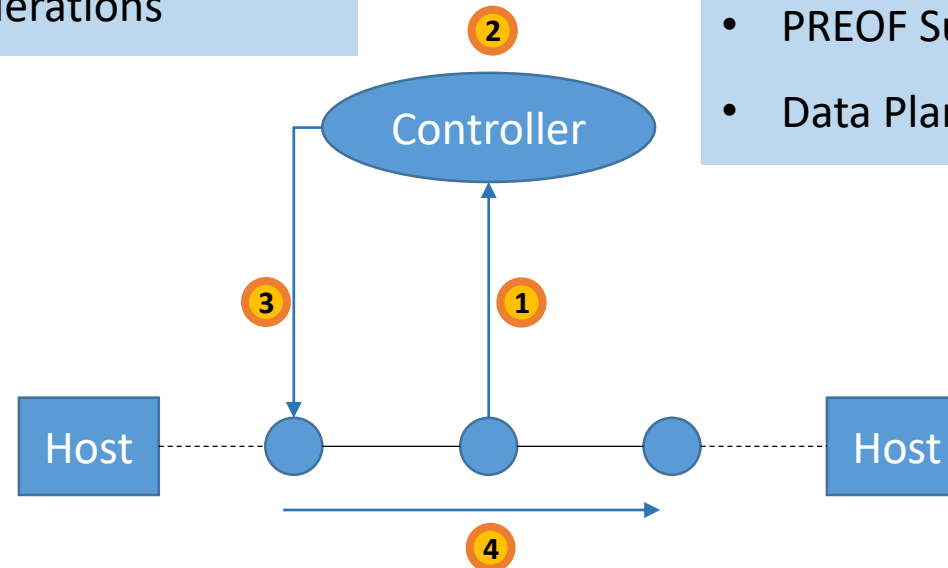
DetNet Control Plane for DetNet Mechanisms

- **Explicit Paths**
- **Resource Reservation**
- PREOF Support
- Data Plane specific considerations

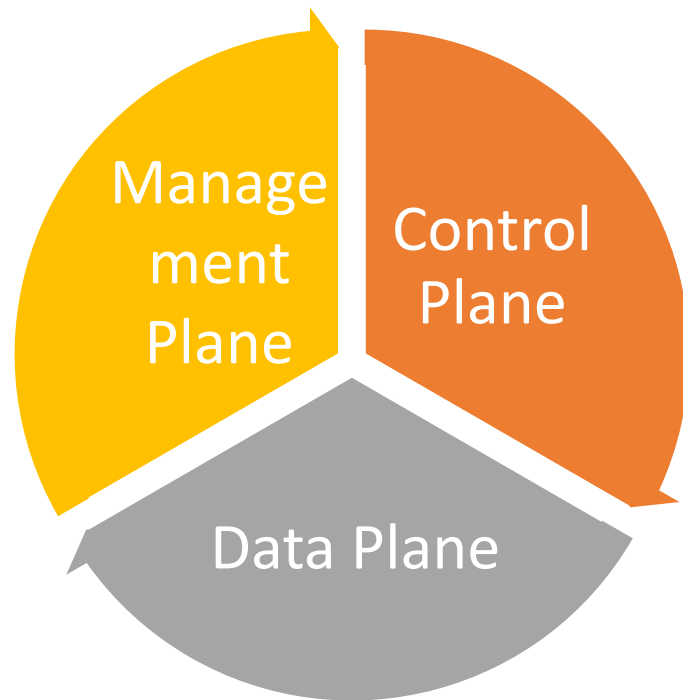


DetNet Control Plane for DetNet Mechanisms

- **DetNet Resource Collection** ①
- **DetNet Path Computation** ②
- **Path Allocation** ③
- **Path Establishment & Resource Reservation** ④
- PREOF Support
- Data Plane specific considerations



Proposed Update 2: The Relationship between Control Plane & Management Plane



- **DetNet Control Plane**

Set up DetNet Path with resource & parallel branches for bounded latency & reliability

- **DetNet Management Plane**

Provide the result of performance monitoring, connectivity detection etc.

- **Possible Interaction between Control plane & Management**

The Control Plane may be updated based on the feedback from management plane to satisfy the deterministic requirement

Next Step

- WG consensus with the update
- Ready for WG Last Call?

Thanks