



IETF Network Slice Application in 5G End-to-End Network Slice

draft-gcdrb-teas-5g-network-slice-application

TEAS WG

Xuesong Geng (Huawei)

Luis M. Contreras (Telefonica)

Reza Rokui (Ciena - Presenting)

Jie Dong (Huawei)

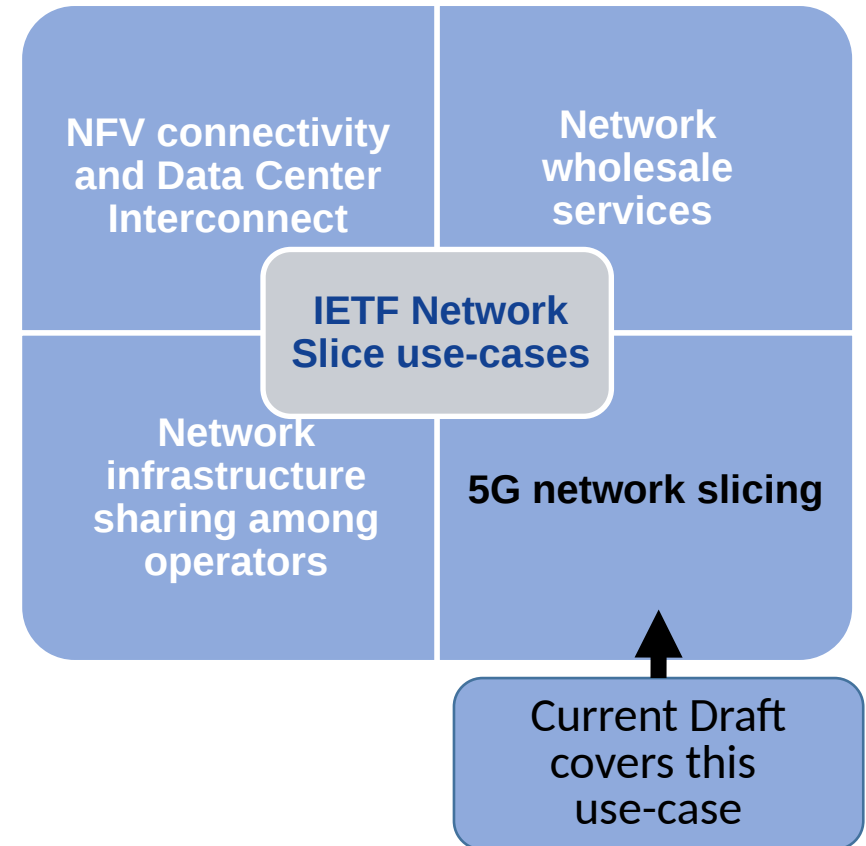
Ivan Bykov (Ribbon Communications)

IETF 116 Yokohama, March 2023

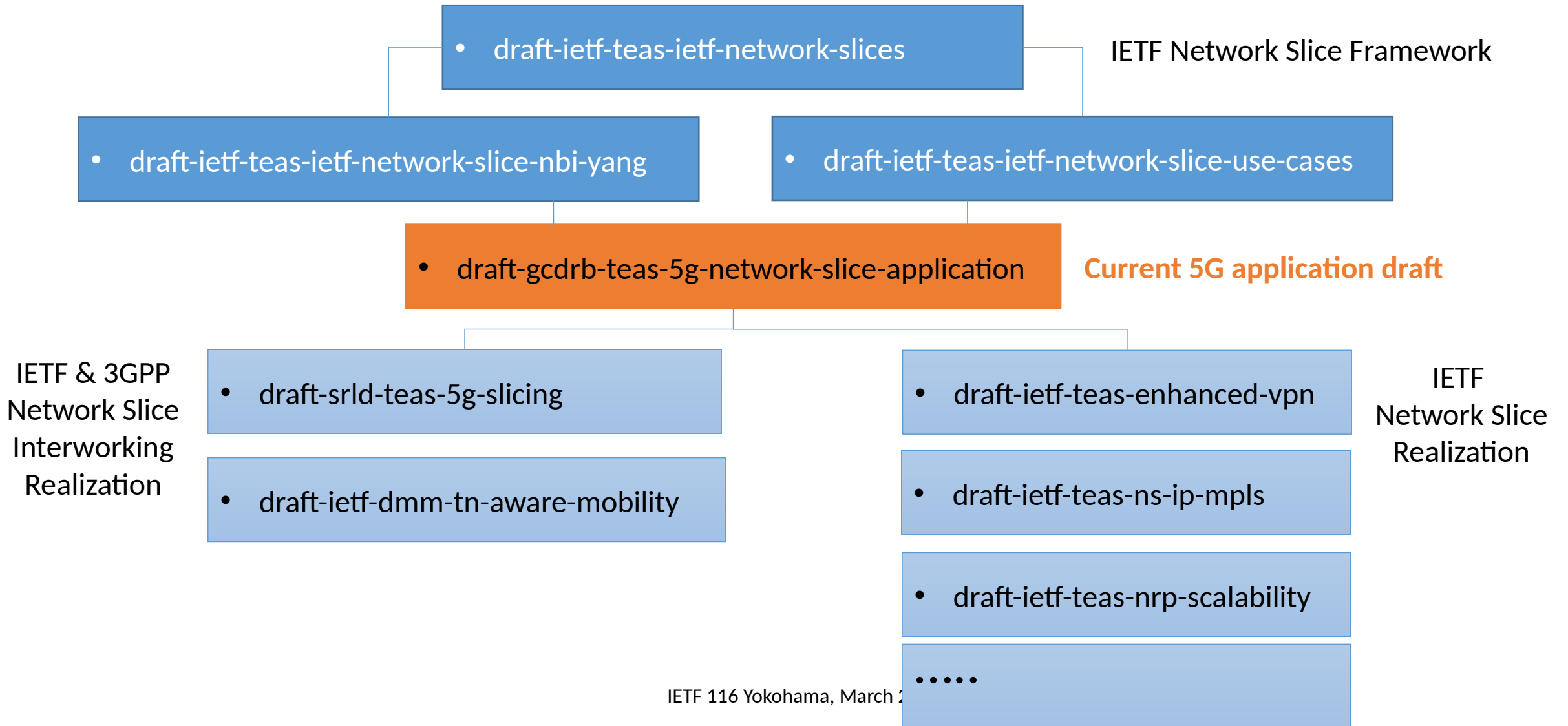
Background Introduction

- Among various network slicing use cases, 5G is one of the (most) important application scenarios of IETF Network Slice
- At IETF 114, the WG has decided to merge 3 5G Network Slice application drafts into one draft **(the current draft)**
- After IETF 115, authors modified the document based on WG's comments in the following aspects:
 - Document Relationship Clarification
 - Document Structure Modification
 - Added a detailed example of 5G Network Slice Mapping

Define in Framework for IETF
Network Slices
(draft-ietf-teas-ietf-network-slices)

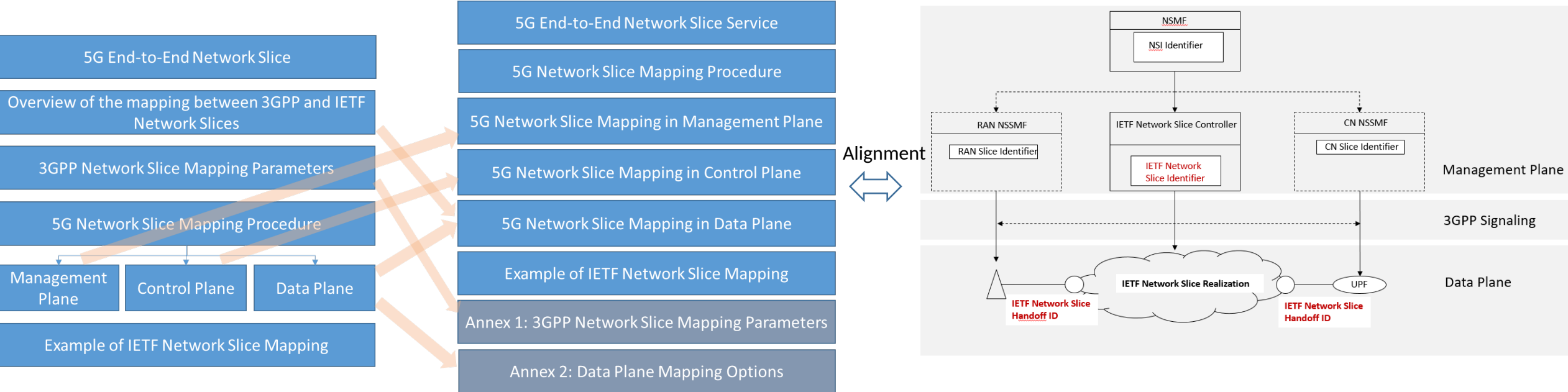


Document Relationship Clarification



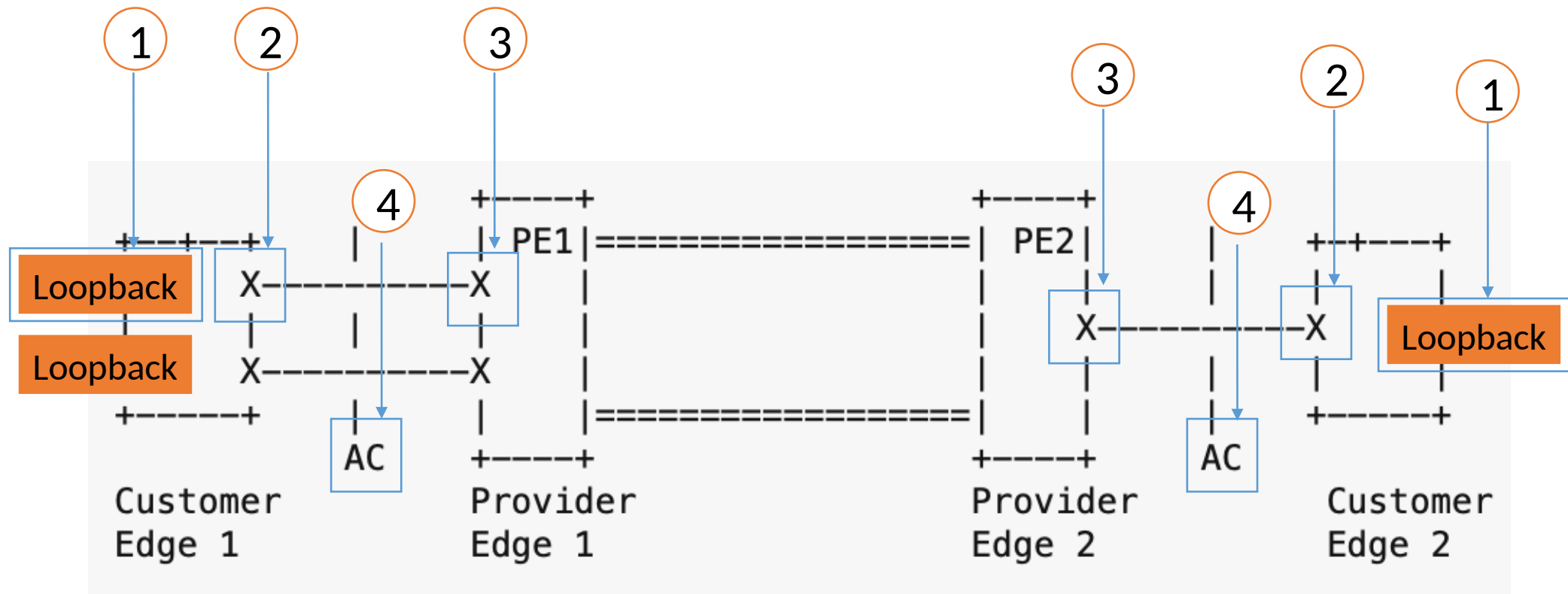
Document Structure Modification

1. To improve the document’s readability, sections are splitted or combined
 - Split “5G Network Slice Mapping Procedure” into 3 sections: “5G Network Slice Mapping in Management Plane”, “5G Network Slice Mapping in Control Plane” and “5G Network Slice Mapping in Data Plane”
 - Merge “Overview of mapping between 3GPP and IETF Network Slices” into “3G Network Slice Mapping in Data Plane”
2. To make the structure clear and clean, move some detailed contents to annex:
 - 3GPP Network Slice Mapping Parameters
 - Data Plane Mapping Options

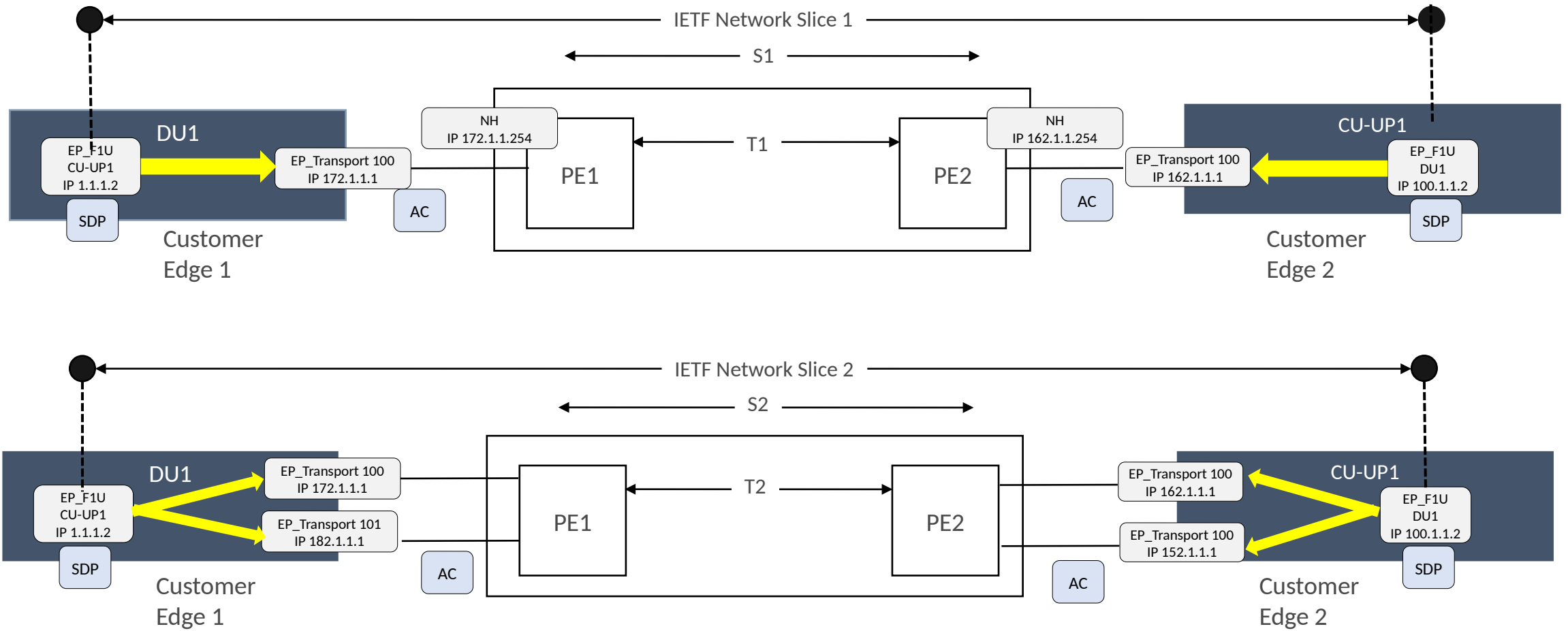


Mapping variants for yang models

- 1 - NBI-Yang CE-opt with SDP at CE Loopback,
- 2 - NBI-Yang CE-opt. Example-7: SDP at CE AC
- 3 - NBI-Yang PE-opt. SDP is on PE
- 4 - NBI-Yang PE-opt. SDP is on PE and ac model links to extended ac-draft data model



Example of 5G Network Slice Mapping



Next Steps

- Collect further feedbacks on the WG adoption
 - The adoption poll is ongoing (deadline is March 30)
- Authors have been working on a new revision
 - The new version will be uploaded after the adoption poll ends

Thank You!