

# BGP Classful Transport Planes

<https://datatracker.ietf.org/doc/draft-ietf-idr-bgp-ct/12/>

IETF 117 IDR Meeting  
July 24, 2023

Presenters:

Reshma Das

Natrajan Venkataraman

On behalf of co-authors

# Agenda

- BGP-CT: Current Status
- BGP-CT: EANTC 2023 Interop
- BGP-CT: Next Steps

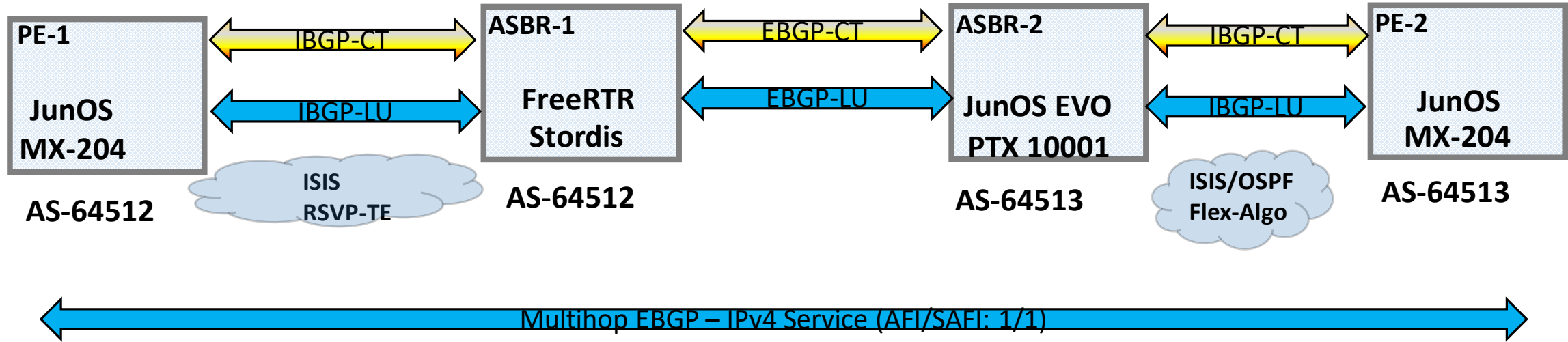
# BGP-CT: Current status – Last Call

- We thank all reviewers for valuable feedback.
- All Part 3 issues have been addressed as part of the latest CT draft update
  - Link: <https://datatracker.ietf.org/doc/draft-ietf-idr-bgp-ct/12/>
  - Issues to addressed sections map:
    - <https://github.com/ietf-wg-idr/draft-ietf-idr-bgp-ct/blob/main/github-issues-status.txt>
- WGLC in progress
  - Most LC reviews issues addressed, some in progress.
- BGP-CT: Implementation Report:
  - <https://wiki.ietf.org/group/idr/implementations/draft-ietf-idr-bgp-ct>
  - Two shipping implementations: Juniper (since 21.1R1), RARE/FreeRtr (v23.3.17-cur).
- Customer Engagement:
  - Multiple customers are trying BGP-CT in their labs.
  - **a few will hit deployment soon. :)**

# BGP-CT: EANTC Interop Test Event

- Successful Interop between FreeRTR and JUNOS
- JUNOS and FreeRTR Roles and Model:
  - ❑ JUNOS (PE-1, PE-2)
    - ❑ Model: mx204, Release: 23.2R2
  - ❑ JUNOS EVO (ASBR-2)
    - ❑ Model: ptx10001-36mr, Release: 22.4R1.11-EVO
  - ❑ RARE/FreeRTR (ASBR-1)
    - ❑ freeRouter v23.3.17-cur, done by cs@nop
- Link to Report:
  - <https://eantc.de/fileadmin/eantc/downloads/events/2023/EANTC-InteropTest2023-TestReport.pdf> (Page 36)

# EANTC BGP-CT Interop: Topology



- Interop between JunOS (Ingress, ASBR roles) and FreeRTR (ASBR role) for
  - EBGP-CT, IBGP-CT (new)
  - BGP-LU, RSVP-TE and ISIS
- BGP-LU provides the end-to-end best-effort path
- BGP-CT provides the end-to-end Gold, Bronze paths
- IPv4 service (AFI/SAFI: 1/1) between PE-1 and PE-2 with desired SLA.

# BGP-CT: Next Steps

- Formal Request for RFC Standard

Thank you.