

# EVPN Inter-Domain Option-B Solution

draft-rabadan-bess-evpn-inter-domain-opt-b-03

---

J. Rabadan (Nokia)

S. Sathappan (Nokia)

A. Sajassi (Cisco)

W. Lin (Juniper)

IETF119, Mar 2024

Brisbane

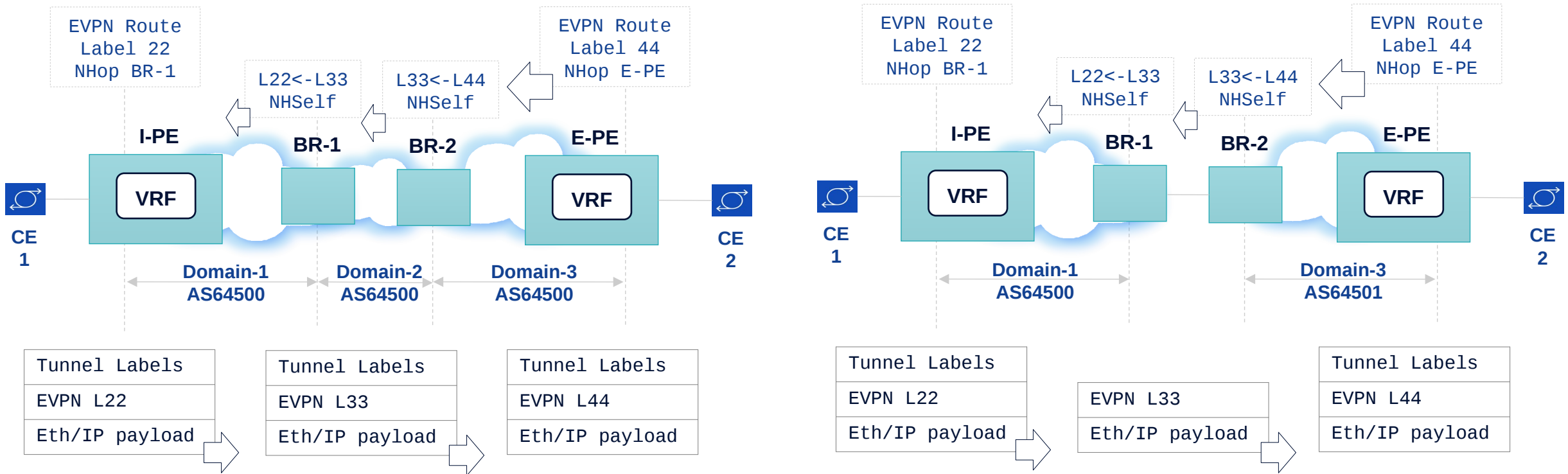
# Refresher

## EVPN Inter-Domain Option-B Solution

- Informational, it does not create new procedures
- Summarizes the impact of the Inter-Domain Option-B connectivity in the EVPN procedures
- Includes:
  - EVPN Layer-2 ELAN, ELINE, E-Tree
  - EVPN Layer-3
  - PBB-EVPN
- Analyzes potential solutions based on existing specs and local implementations (that do not change the control plane)

# What is EVPN Inter-Domain Option-B?

Models used in the document



VRF is an EVPN MAC-VRF or IP-VRF or VPWS  
Labels are 20-bit (MPLS label) or 24-bit (VNI)  
Originally specified in RFC8365 section 10.2 for EVPN  
For NVO tunnels, there are no tunnel labels but an IP header

# Changes since version 00

## EVPN Inter-Domain Option-B Solution

- Version 00 presented in IETF 116
- Ever since the document has been refreshed up to version 3, with the following changes:
  - Added Wen as co-author in version 01
  - Terminology section improved
  - Clarify that L2 MTU can be signaled as 0 if domains use different MTU values (so that ingress PE ignores the value)
  - Typos and updated references

# Next Steps

1. More feedback from the WG
2. Ask for WG adoption

Thank you