

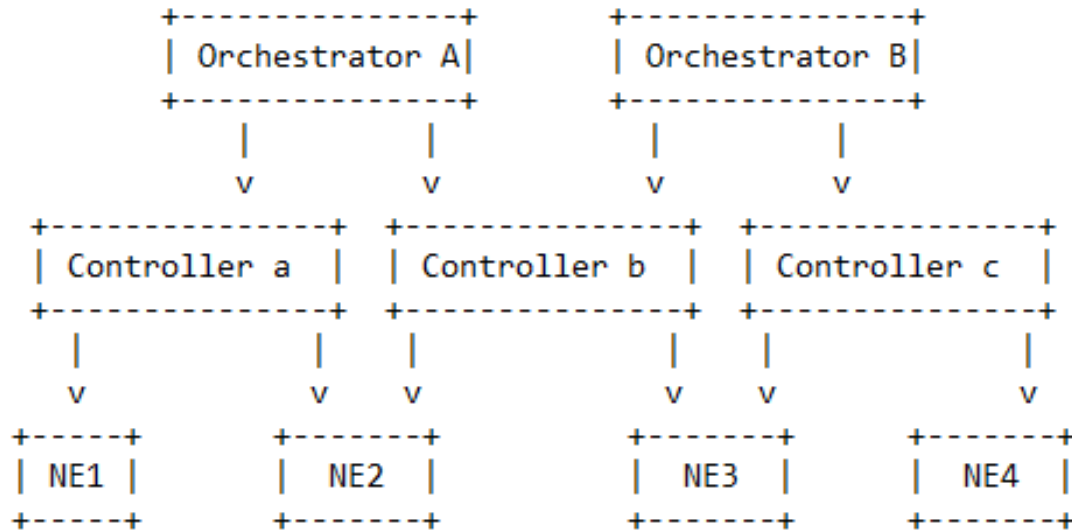
External Trace ID for Configuration Tracing

[draft-ietf-netconf-configuration-tracing-00](#)

J. Quilbeuf (Huawei) , B. Claise (Huawei) , T. Graf
(Swisscom), D. Lopez (Telefonica) , S. Qiong (China
Telecom)

IETF 119, NETCONF

Motivation: Tracing Configuration



Something wrong with last change of configuration on NE2.

Where does the change comes from?

Use cases:

- **Configuration Mistake** “Which service request, if any, caused the mistake?”
- **Concurrent NMS modification** “Both NMS assume that they are in charge of the NE and regularly overwrite each other configuration.”
- **Conflicting Intents** “Conflicting configuration changes are cause by two conflicting service requests.”

Current status

- Draft adopted by WG
- Switching from transaction-id to trace-id solved a lot of issues (presentation at IETF 117)
- Not much updates since this change

Next steps

- Specify how get client ID gets transmitted: tracestate, trace Baggage?
- Align with other trace context and transaction-id drafts.
- Should we make a more general solution (i.e. follow <https://github.com/open-telemetry/opentelemetry-proto/blob/main/opentelemetry/proto/trace/v1/trace.proto>) and only specify what is missing (i.e. client-id, local-commit-id)?

Draft repo is at <https://github.com/netconf-wg/configuration-tracing>