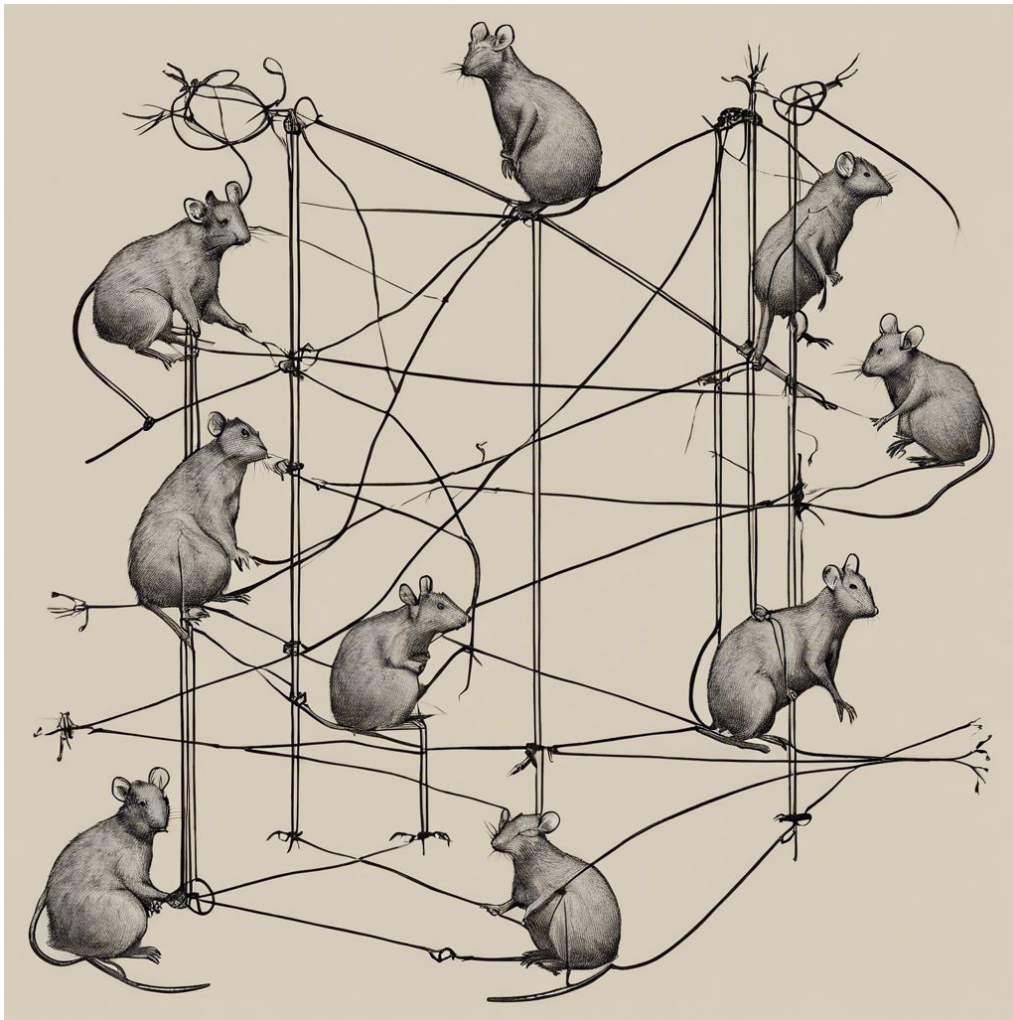


RATS All The Way Down

Henk B, Ned S, Yogesh D, Thomas F, Roy W, Dionna G

IETF 119 Brisbane



- RFC9334 RATS Architecture
- RATS are not solitary creatures
- RATS are often nested, interconnected, or layered
- Currently, 95% of the RATS WG work is on “Figure 1”, though
- “Figure 1” is a single “RAT”
- In practice there are various RATS

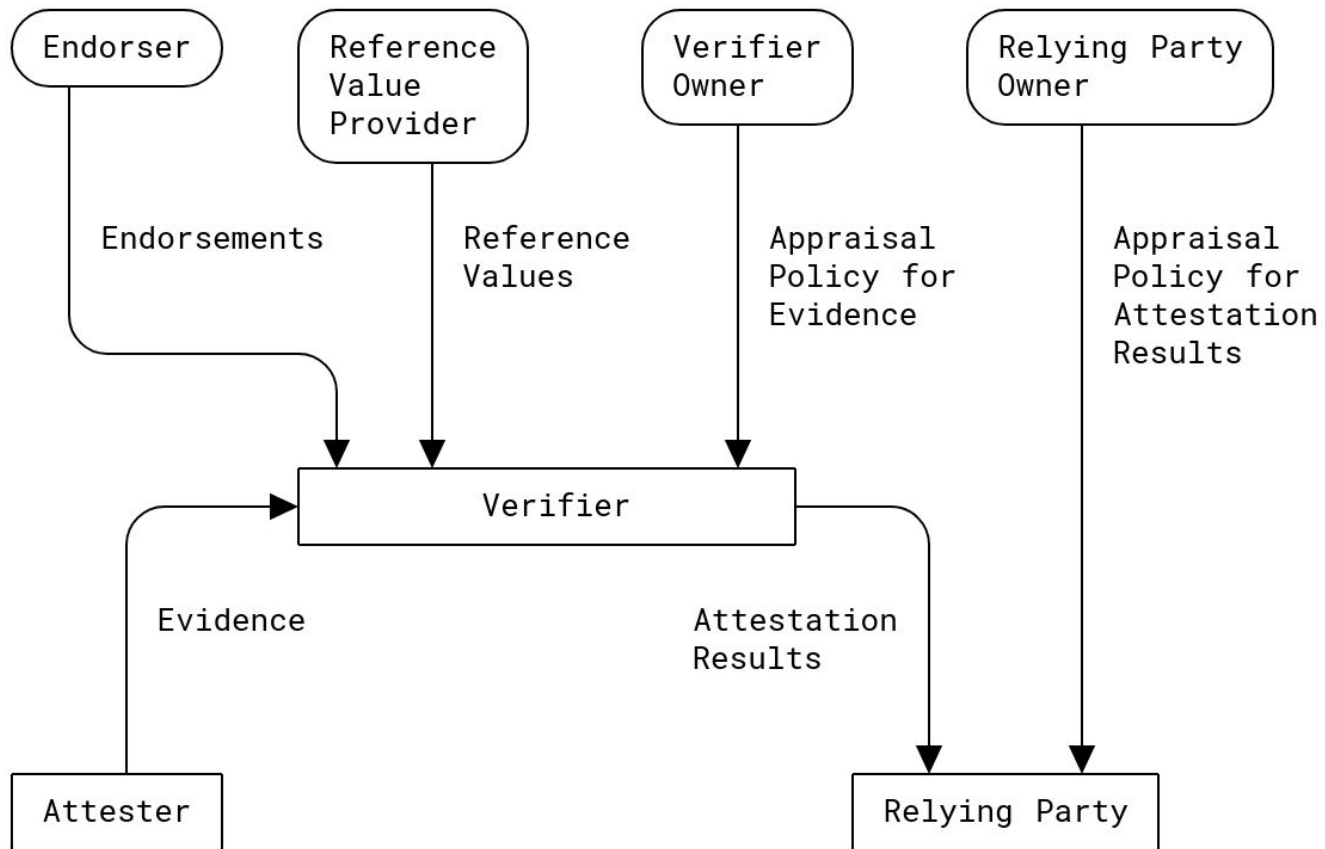


Figure 1: Conceptual Data Flow

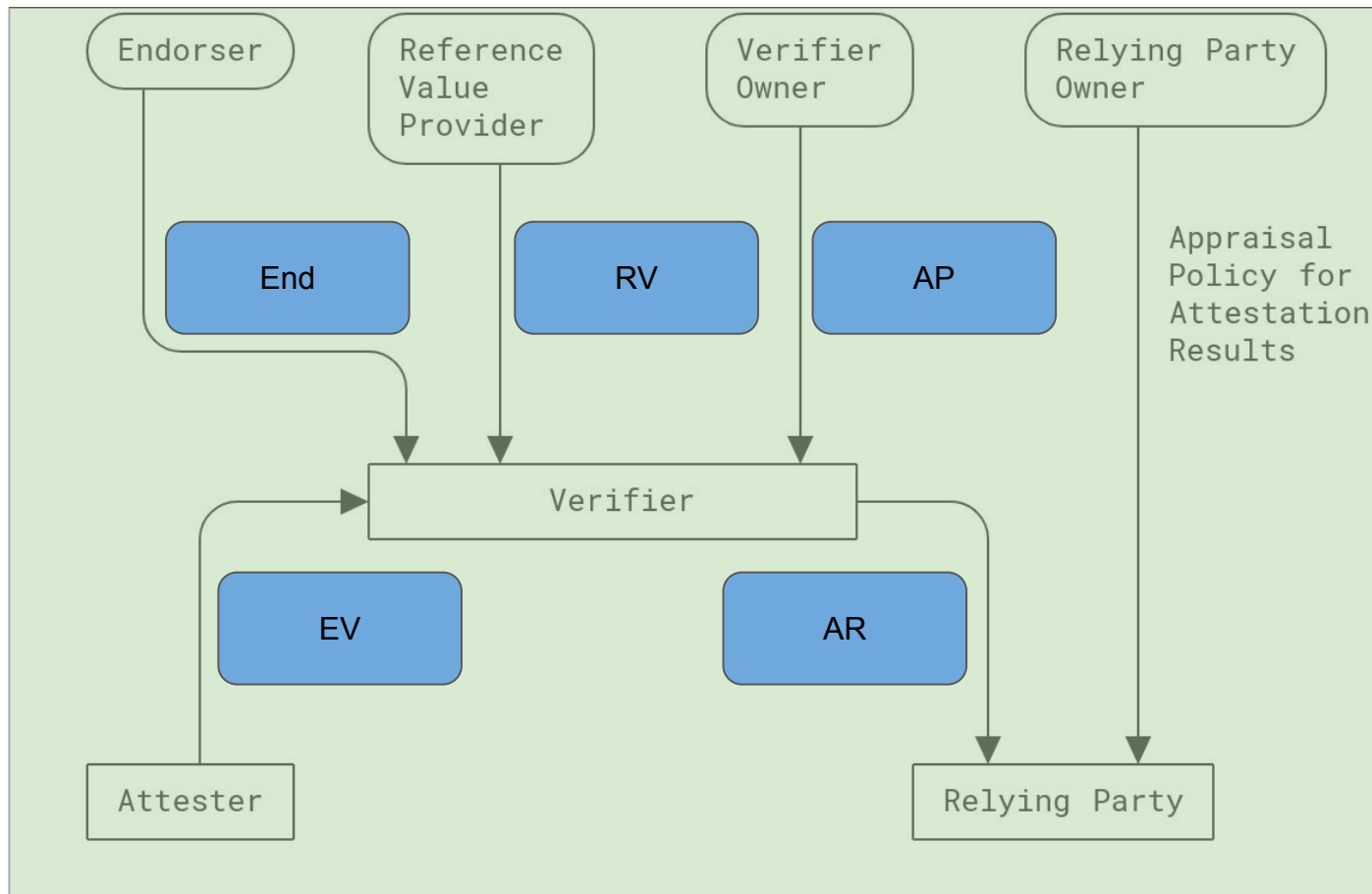
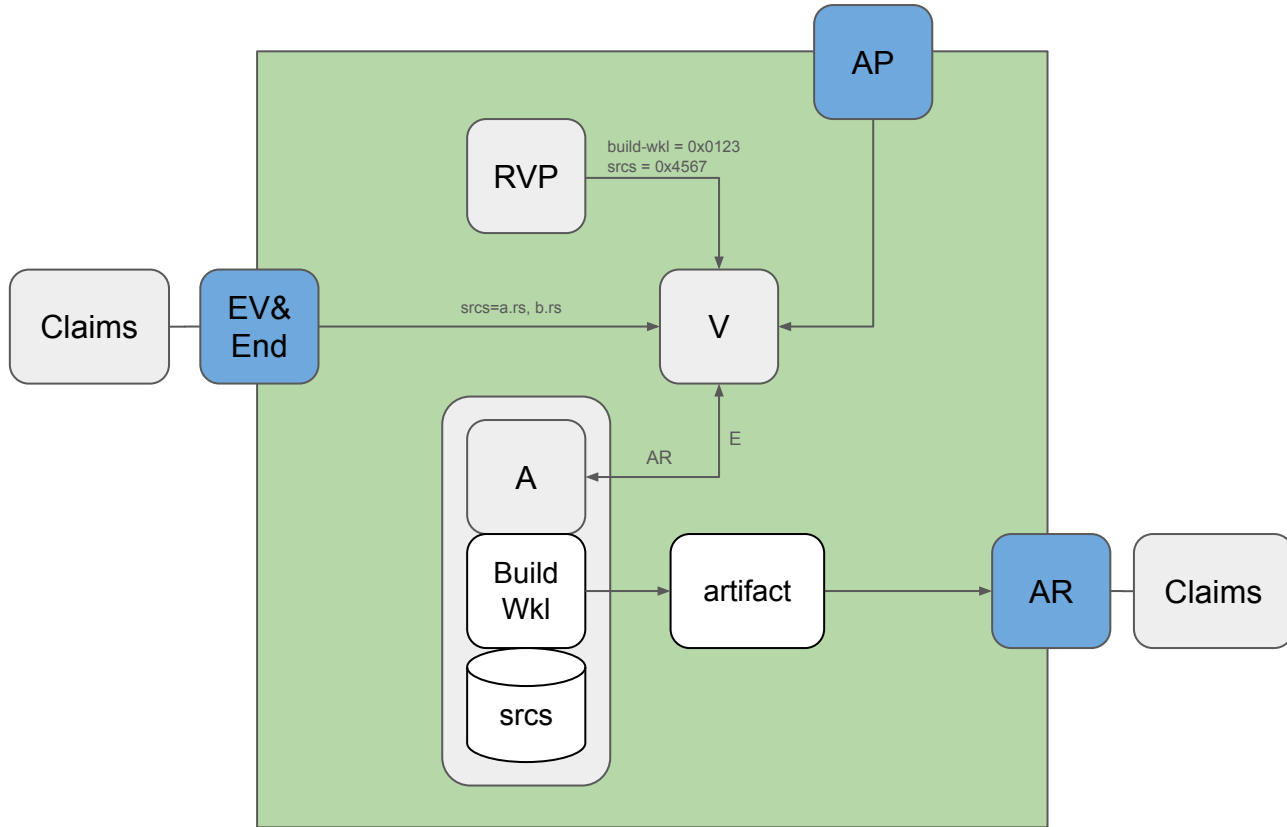
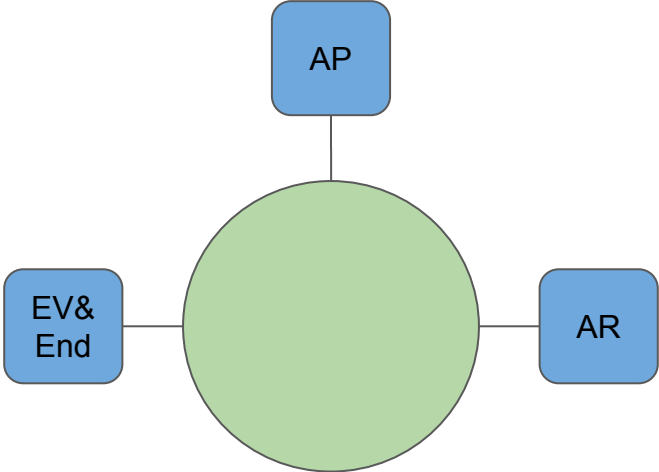
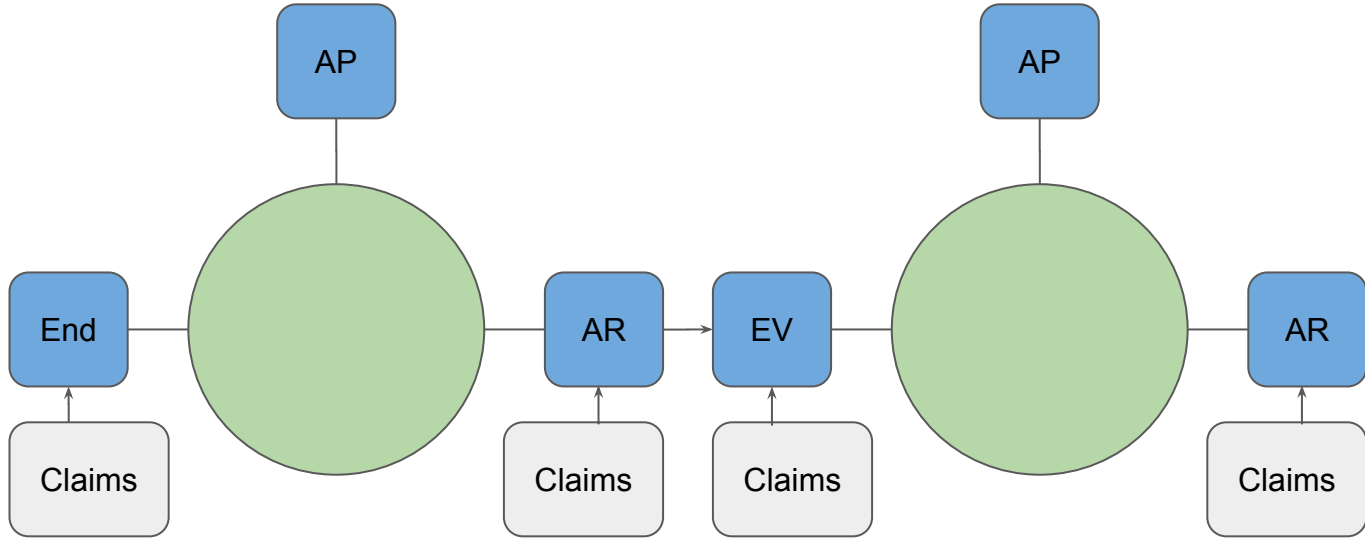
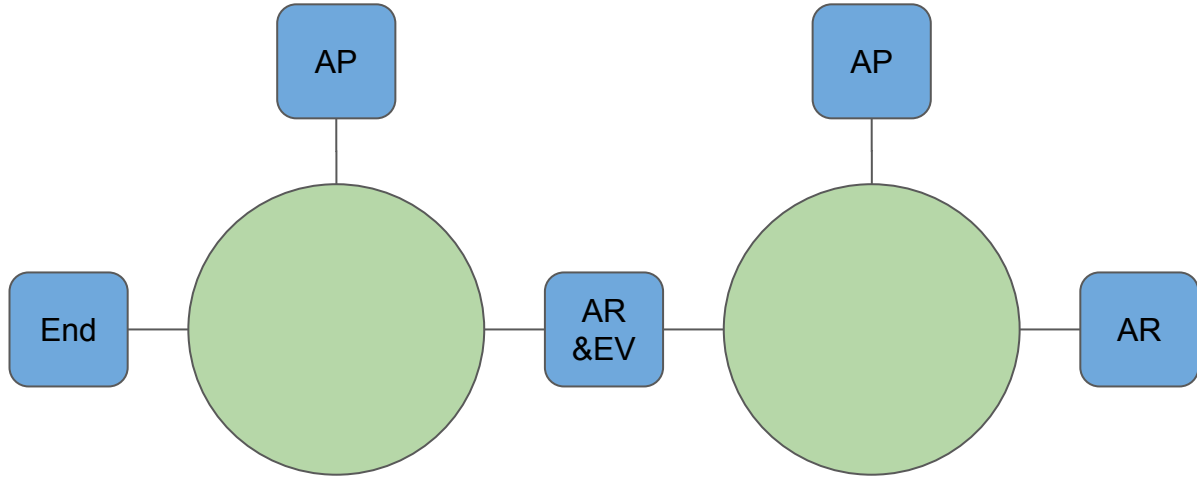


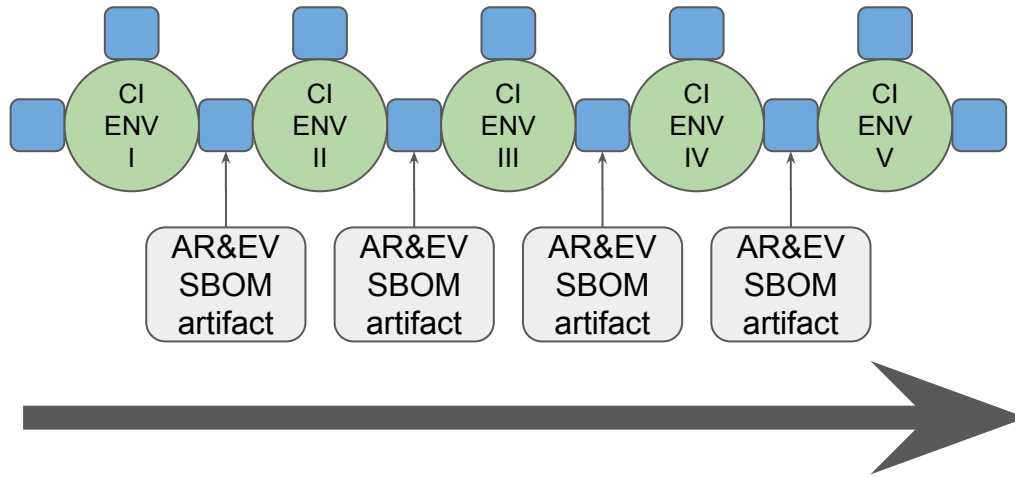
Figure 1: Conceptual Data Flow



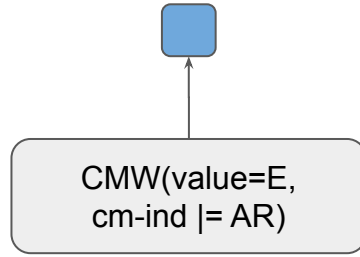
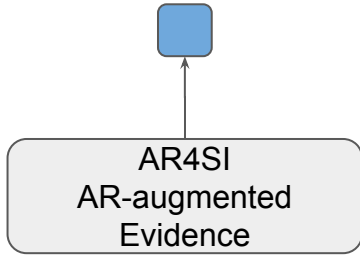


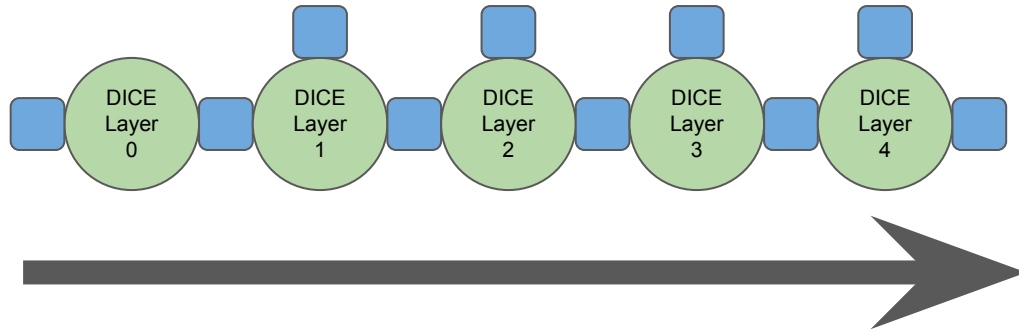






Example I:
Concatenated Software CI/CVM Environments





Example II:
TCG DICE layers describe a path of related components

