

Applicability of Abstraction and Control of Traffic Engineered Networks (ACTN) to Packet Optical Integration (POI) service assurance

draft-poidt-teas-actn-poi-assurance-02

Fabio Peruzzini – fabio.peruzzini@telecomitalia.it

Italo Busi – Italo.busi@huawei.com

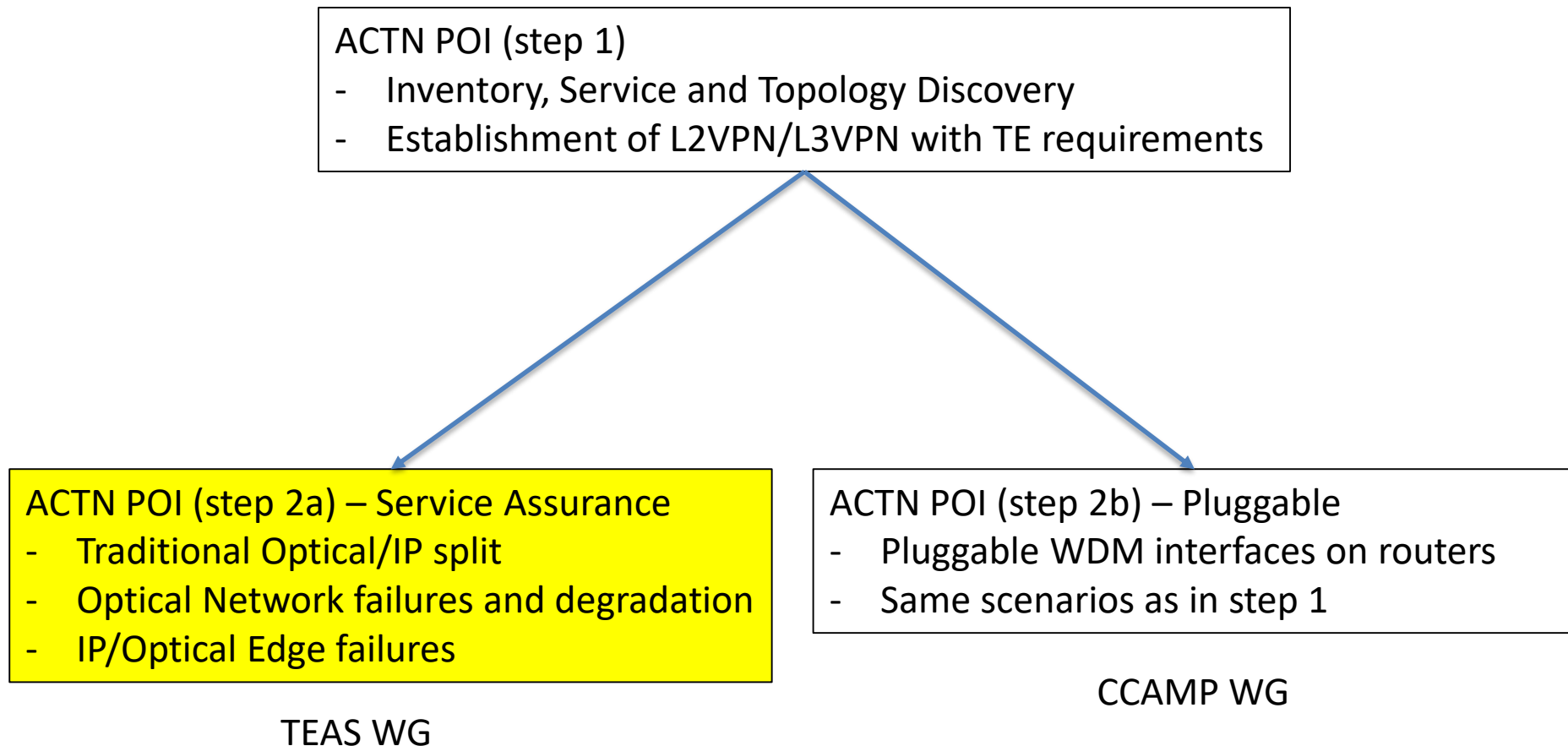
Jean-Francois Bouquier – jeff.bouquier@vodafone.com

Paolo Volpato – paolo.volpato@huawei.com

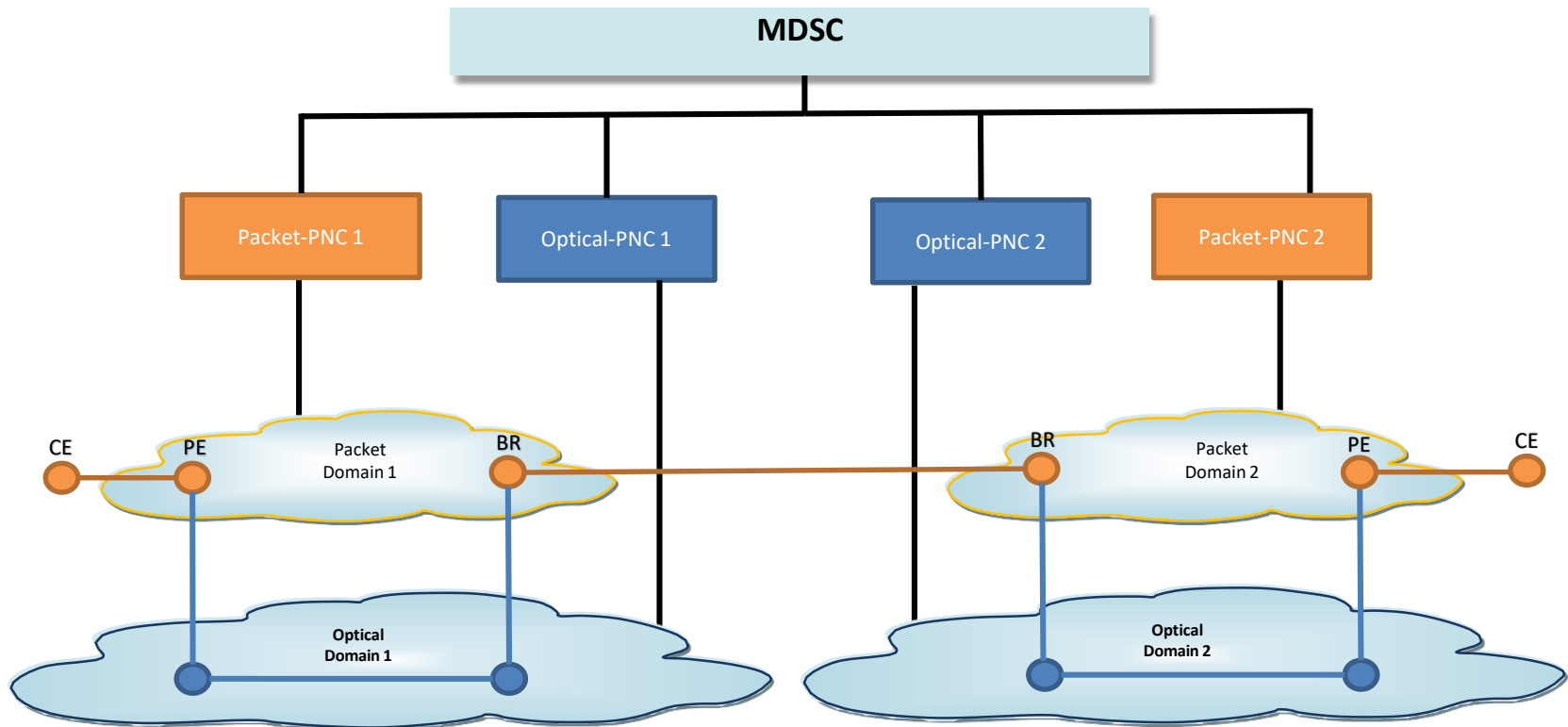
Prasenjit Manna – prmanna@cisco.com

Back from IETF 116

ACTN POI Service Assurance Dependence



Reference Architecture



Reference Network and Use Cases

3. Cross-layer Link Failures (§ 7.3)

1. Optical Network failures (§ 7.1)
 1. Restoration
 2. Protection
2. Optical Network Maintenance (§ 7.2)

4. Router Node Failures (§ 7.4)

5. Multi-layer hitless Reversion (§ 7.5)

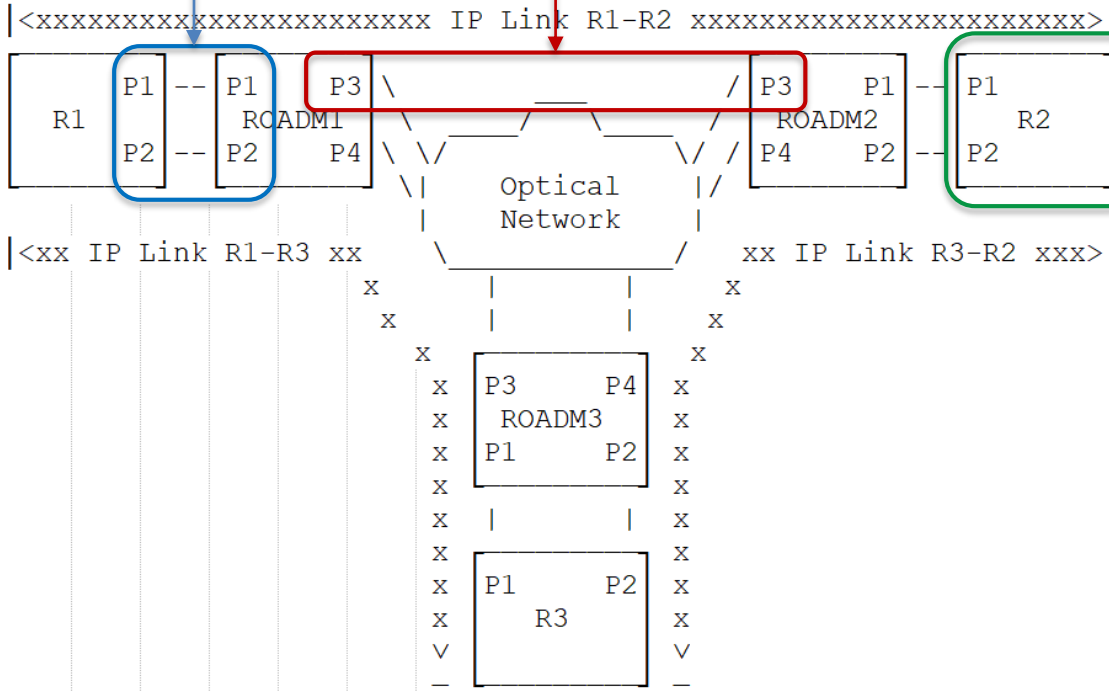


Table of Contents

Section	Page
1. Introduction	3
2. Conventions and Definitions	3
2.1. Terminology	3
3. Reference Network Architecture	3
3.1. Reference Network	6
4. YANG Data Models for the MPIs	8
5. Multi-layer Fault Management	8
5.1. Optical Network Failures	8
5.2. Cross-layer Link Failures	9
5.3. Router Node Failures	9
6. Multi-layer Performance Management	9
7. Multi-layer Resiliency	9
7.1. Optical Network Failures	10
7.1.1. Optical restoration	10
7.1.2. Optical protection	13
7.2. Optical Network Maintenance	14
7.3. Cross-layer Link Failures	17
7.4. Router Node Failures	19
7.5. Multi-layer hitless reversion	22
8. Conclusions	24

Sections either expanded or reworked from version -00

Sections still needing work

Status and Next Steps

- Version -02 uploaded beginning of March
- Version -03 expected to:
 - Address comments
 - Freeze the use cases
 - Develop the missing sections (chapters 4, 5, and 6)
- Issue tracking and current version available on Git:
 - <https://github.com/italobusi/draft-poidt-teas-actn-poi-assurance>
- Discuss all ACTN POI drafts during the bi-weekly ACTN POI calls.

THANK YOU