

Extending ICMPv6 for SRv6-SID-related Information Validation

draft-liu-6man-icmp-verification

Yao Liu

ZTE

Yisong Liu

China Mobile

6MAN WG

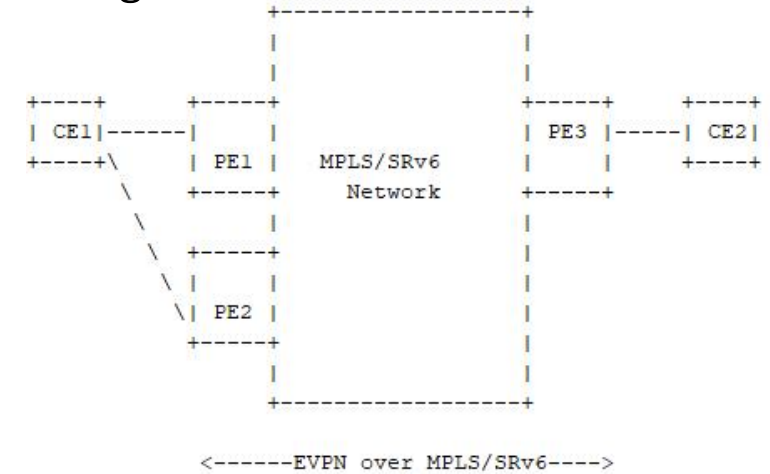
IETF#121

Nov, 2024

Summery of the Problem and the Solution

MPLS EVPN

- [RFC9489]: data plane failures of MPLS EVPN detection using MPLS LSP Ping
- Main procedures:
 - Echo request sent from ingress PE to egress PE
 - Egress PE validates the EVPN related info in echo request
 - Egress PE sends the results of the validation in echo reply



SRv6 VPN/EVPN

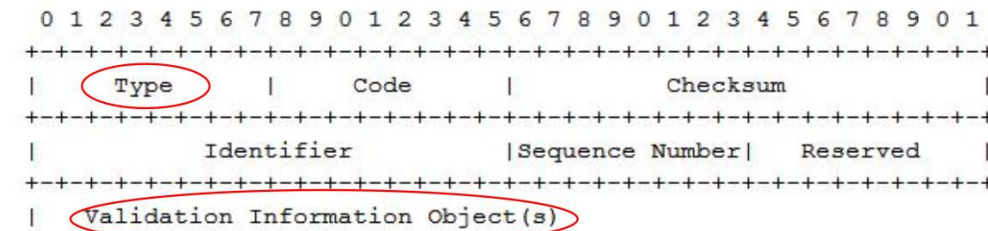
- Many implementations
- Requirement for data plane failure detection is similar

draft-liu-bess-srv6-evpn-validation presented in BESS IETF120, two parts about the work:

- the encoding (**the contents**) for specific scenario(i.e, for SRv6 EVPN validation) in BESS
- the base request and reply mechanism(**the container**) in 6MAN ----->**This document**

The proposed basic mechanism

- 2 new ICMPv6 messages:
 - ICMPv6 Validation Request: using the ICMP extension structure
 - ICMPv6 Validation Reply: the code indicates the validation result
- Point to Point validation: request sent directly to the node to be verified, similar to ping



Next Steps

- Continue to work on the basic container part.
- Welcome feedback, comments and cooperation!