

IETF TE Topology Graphical Display

IETF 121 Hackathon

02-03 Nov 2024

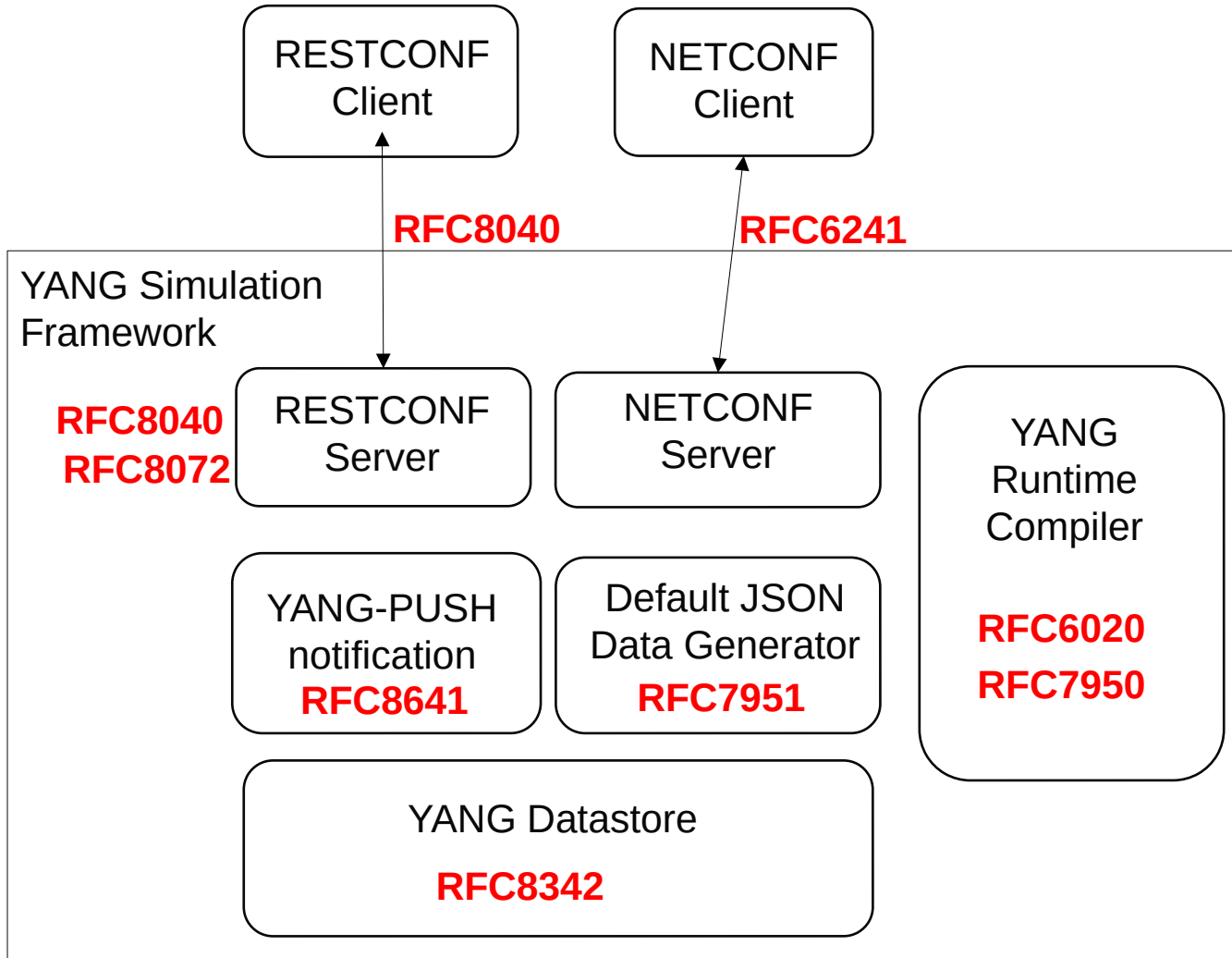
Dublin, Ireland

The gaps we found

- The toolkit is far from being perfect. One major area to improve is its YANG compiler, which does not fully support YANG 1.1 syntax.
- We hope there is enough interest from the community to collaborate on improving the toolkit.

Future work: building a comprehensive YANG simulation framework

A framework that can simulate RESTCONF/NETCONF interfaces and YANG-PUSH notifications for YANG models



RFCs

RFC8040 (RESTCONF)

RFC6241 (NETCONF)

RFC8641 [yang-push]

RFC7951 (JSON Encode)

RFC6020 (YANG 1.0)

RFC7950 (YANG 1.1)

RFC8072 (YANG Patch)

RFC8342 (NMDA)

Team members

- Henry Yu (henry.yu1@huawei.com)
- Hesam Rahimi (hesam.rahimi@huawei.com)
- Yanpeng Wang (yanpeng.wang@huawei.com)
- Ruilin Cai (ruilin.cai@h-partners.com)